

# HIROSE FFC/FPC Connectors



This product is RoHS compliant.



HIROSE ELECTRIC CO., LTD.

## FH41 AND FH48 0.5MM CONNECTORS FOR SHIELDED FFC

### Features:

- Compatibility with impedance control, shield FFC
- GND exclusive terminal
- Reliable connection operation
- Available for connection with impedance control, shield FFC

- High-speed transmission rates up to 3.75Gbps max.
- Robust lock structure
- FFC positioning mechanisms for highly reliable connections
- Flip-Lock rotating actuator assures reliable mechanical and electrical connection with FPC

### Right Angle

MOUSER STOCK NO.	Hirose Part No.	Fig.	No. of Contacts	Dimensions (mm)			Price Each		
				A	B	C	1	25	100
				798-FH41-28S-0.5SH05	FH41-28S-0.5SH(05)	A	28	18.0	13.5
798-FH41-30S-0.5SH05	FH41-30S-0.5SH(05)	A	30	19.0	14.5	5.45	3.10	2.40	1.92
798-FH41-31S-0.5SH05	FH41-31S-0.5SH(05)	A	31	19.5	15.0	5.45	3.29	2.55	2.04
798-FH41-40S-0.5SH05	FH41-40S-0.5SH(05)	A	40	24.0	19.5	5.45	3.20	2.48	1.98
798-FH41-50S-0.5SH05	FH41-50S-0.5SH(05)	A	50	29.0	24.5	5.45	3.49	2.70	2.16
798-FH41-68S-0.5SH05	FH41-68S-0.5SH(05)	A	68	38.0	33.5	5.45	4.03	3.13	2.50

### Vertical

MOUSER STOCK NO.	Hirose Part No.	Fig.	No. of Contacts	Dimensions (mm)			Price Each		
				A	B	C	1	25	100
				798-FH48-31S-0.5SV	FH48-31S-0.5SV	B	31	20.5	15.0
798-FH48-40S-0.5SV	FH48-40S-0.5SV	B	40	25.0	19.5	6.68	3.94	3.05	2.44
798-FH48-50S-0.5SV	FH48-50S-0.5SV	B	50	30.0	24.5	6.68	4.26	3.30	2.64

## BM10 SERIES - 0.4MM SMT FPC-TO-BOARD CONNECTORS

### Vertical Mount Headers

MOUSER STOCK NO.	Hirose Part No.	Fig.	No. of Contacts	Stack Height (mm)	Contact Plating	Price Each		
						1	25	100
						798-BM10B0610DP04V51	BM10B(0.6)-10DP-0.4V(51)	C
798-BM10B0820DP04V51	BM10B(0.8)-20DP-0.4V(51)	C	20	0.8	0.05μ Gold	.68	.55	.49
798-BM10B0860DP04V51	BM10B(0.8)-60DP-0.4V(51)	C	60	0.8	0.05μ Gold	1.36	1.10	.99

### Vertical Mount Receptacles

MOUSER STOCK NO.	Hirose Part No.	Fig.	No. of Contacts	Stack Height (mm)	Contact Plating	Price Each		
						1	25	100
						798-BM10NB0810DS4V51	BM10NB(0.8)-10DS-0.4V(51)	C
798-BM10NB0820DS4V51	BM10NB(0.8)-20DS-0.4V(51)	C	20	0.8	0.05μ Gold	.80	.65	.58

## FH26 SERIES - 0.3MM PITCH FPC ZIF CONNECTORS

### SMT Horizontal Mounting - Gold

MOUSER STOCK NO.	Hirose Part No.	Fig.	No. of Contacts	Dimensions: mm					Price Each		
				A	B	C	D	E	1	25	100
				798-FH2613S0.3SHW05	FH26-13S-0.3SHW(05)	D	13	5.4	3.0	3.6	4.23
798-FH2617S0.3SHW05	FH26-17S-0.3SHW(05)	D	17	6.6	4.2	4.8	5.43	6.1	2.41	1.85	1.48
798-FH2621S0.3SHW05	FH26-21S-0.3SHW(05)	D	21	7.8	5.4	6.0	6.63	7.3	2.54	1.95	1.56
798-FH2627S0.3SHW05	FH26-27S-0.3SHW(05)	D	27	9.6	7.2	7.8	8.43	9.1	2.76	2.12	1.70
798-FH2635S0.3SHW05	FH26-35S-0.3SHW(05)	D	35	12.0	9.6	10.2	10.83	11.5	3.12	2.40	1.92
798-FH2651S0.3SHW05	FH26-51S-0.3SHW(05)	D	51	16.8	14.4	15.0	15.63	16.3	3.36	2.61	2.08
798-FH2671S0.3SHW05	FH26-71S-0.3SHW(05)	D	71	22.8	20.4	21.0	21.63	22.3	4.12	3.19	2.55

## FH28 SERIES - 0.5MM FFC/FPC ZIF CONNECTORS

### Standard Type

MOUSER STOCK NO.	Hirose Part No.	Fig.	No. of Contacts	Dimensions: mm				Price Each		
				A	B	C	D	1	10	50
				798-FH2840S0.5SH05	FH28-40S-0.5SH(05)	E	40	19.5	24.9	20.57
798-FH2850S0.5SH05	FH28-50S-0.5SH(05)	E	50	24.5	29.9	25.57	29.58	2.21	1.83	1.53
798-FH2855S0.5SH05	FH28-55S-0.5SH(05)	E	55	27	32.4	28.07	32.08	2.37	1.97	1.64
798-FH28-60S-0.5SH05	FH28-60S-0.5SH(05)	E	60	29.5	34.9	30.57	34.58	2.83	2.34	1.95

### Protruded Metal Fittings Type

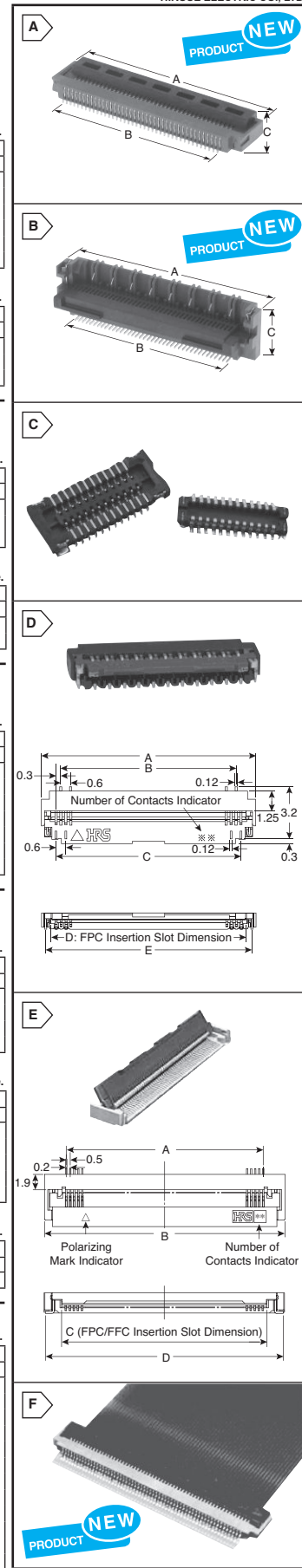
MOUSER STOCK NO.	Hirose Part No.	Fig.	No. of Contacts	Dimensions: mm				Price Each		
				A	B	C	D	1	10	50
				798-FH28E20S0.5SH05	FH28E-20S-0.5SH(05)	E	20	9.5	14.9	10.57
798-FH28E40S0.5SH05	FH28E-40S-0.5SH(05)	E	40	19.5	24.9	20.57	25.7	2.24	1.86	1.55
798-FH28E50S0.5SH05	FH28E-50S-0.5SH(05)	E	50	24.5	29.9	25.57	30.7	2.37	1.96	1.63
798-FH28E60S0.5SH05	FH28E-60S-0.5SH(05)	E	60	29.5	34.9	30.57	35.7	2.60	2.16	1.79
798-FH28E68S0.5SH05	FH28E-68S-0.5SH(05)	E	68	33.5	38.9	34.57	39.7	2.96	2.45	2.05

### Space Saving Type

MOUSER STOCK NO.	Hirose Part No.	Fig.	No. of Contacts	Dimensions: mm				Price Each		
				A	B	C	D	1	10	50
				798-FH28H80S0.5SH05	FH28H-80S-0.5SH(05)	E	80	39.5	44.9	40.57

## FH52 SERIES - 0.5MM PITCH ROBUST FFC/FPC CONNECTORS

MOUSER STOCK NO.	Hirose Part No.	Fig.	No. of Contacts	Pitch (mm)	Contact Plating	Price Each		
						1	25	50
						798-FH528S0.5SH(99)	FH52-8S-0.5SH(99)	F
798-FH5210S0.5SH(99)	FH52-10S-0.5SH(99)	F	10	0.5	Gold	2.15	2.04	1.77
798-FH5211S0.5SH(99)	FH52-11S-0.5SH(99)	F	11	0.5	Gold	2.22	2.10	1.83
798-FH5212S0.5SH(99)	FH52-12S-0.5SH(99)	F	12	0.5	Gold	2.29	2.16	1.88
798-FH5215S0.5SH(99)	FH52-15S-0.5SH(99)	F	15	0.5	Gold	2.46	2.33	2.03
798-FH5218S0.5SH(99)	FH52-18S-0.5SH(99)	F	18	0.5	Gold	2.66	2.52	2.19
798-FH5225S0.5SH(99)	FH52-25S-0.5SH(99)	F	25	0.5	Gold	3.13	2.96	2.57
798-FH5228S0.5SH(99)	FH52-28S-0.5SH(99)	F	28	0.5	Gold	3.33	3.15	2.74
798-FH5232S0.5SH(99)	FH52-32S-0.5SH(99)	F	32	0.5	Gold	3.57	3.38	2.94
798-FH5240S0.5SH(99)	FH52-40S-0.5SH(99)	F	40	0.5	Gold	4.11	3.89	3.38
798-FH5250S0.5SH(99)	FH52-50S-0.5SH(99)	F	50	0.5	Gold	4.75	4.49	3.91
798-FH5260S0.5SH(99)	FH52-60S-0.5SH(99)	F	60	0.5	Gold	5.39	5.10	4.43



Hirose Rectangular Connectors