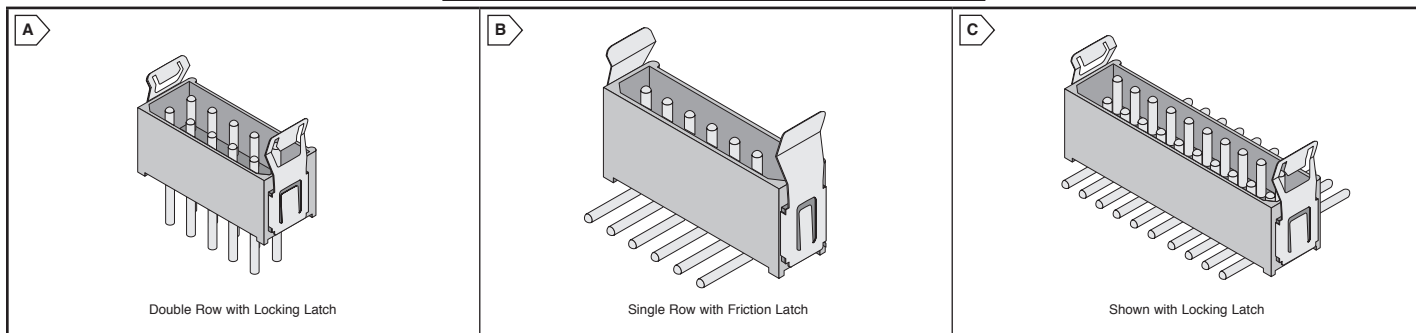


L-Tek High Reliability 2mm Datamate Connectors HARWIN

Products may be RoHS compliant. Check mouser.com for RoHS status.

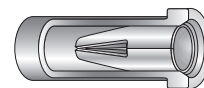


L-TEK DATAMATE SERIES

Features:

- Mates with all L-Tek Series Connectors
- Professional connector system at commercial prices
- Ideal for COTS applications
- Proven history in Mil/Aero applications
- Environmental Classification
 - 55°C/125°C/56 days at 95% RH
- Male Contacts: Phosphor bronze
- Durability: 500 operations
- Complies with BS9525-F0033/CECC 75101-008
- Proven performance in high vibration applications
- Mouldings: Glass-filled thermoplastic UL94V-0
- Female Contacts: Brass shell, with 4 finger beryllium copper contact
- RoHS compliant per Harwin Documentation

3 AMP Four Finger Beryllium Copper Contact



Standard in all L and J Tek Female Connectors

L-Tek Male PC Tail Connectors - Vertical

Features:

- Selective Gold Plating
- Polarized mouldings
- Fully shrouded contacts
- 3A contact

For quantities greater than listed, call for quote.

MOUSER RoHS COMPLIANT STOCK NO.	MOUSER NON-RoHS STOCK NO.	Harwin Part No.	Fig.	No. of Contacts	Price Each		
					1	10	25
Single Row With Locking Latch							
855-M80-8820242	855-M80-8770222	M80-8770222	A	2	2.81	2.32	2.10
855-M80-8820342	855-M80-8770322	M80-8770322	A	3	2.90	2.40	2.10
855-M80-8820442	855-M80-8770422	M80-8770422	A	4	3.00	2.48	2.25
855-M80-8820542	855-M80-8770522	M80-8770522	A	5	2.79	2.36	2.09
855-M80-8820642	855-M80-8770622	M80-8770622	A	6	2.74	2.42	2.18
855-M80-8820742	855-M80-8770722	M80-8770722	A	7	2.94	2.50	2.26
Double Row With Locking Latch							
855-M80-8530442	855-M80-8670422	M80-8670422	A	4	3.17	2.68	2.37
855-M80-8530642	855-M80-8670622	M80-8670622	A	6	3.34	2.83	2.57
855-M80-8530842	855-M80-8670822	M80-8670822	A	8	3.55	3.01	2.83
855-M80-8531042	855-M80-8671022	M80-8671022	A	10	6.82	3.16	2.82
855-M80-8531242	855-M80-8671222	M80-8671222	A	12	4.25	3.60	3.35
855-M80-8531442	855-M80-8671422	M80-8671422	A	14	4.43	3.74	3.34
855-M80-8531642	855-M80-8671622	M80-8671622	A	16	5.59	3.89	3.60
855-M80-8532042	855-M80-8672022	M80-8672022	A	20	5.02	4.24	3.87
855-M80-8532642	855-M80-8672622	M80-8672622	A	26	5.59	4.73	4.37
855-M80-8533442	855-M80-8673422	M80-8673422	A	34	6.40	5.41	5.04
Double Row Unlatched							
855-M80-8540442	855-M80-8690422	M80-8690422	A	4	1.91	1.58	1.41
855-M80-8540642	855-M80-8690622	M80-8690622	A	6	2.20	1.83	1.63
855-M80-8540842	855-M80-8690822	M80-8690822	A	8	2.47	2.05	1.83
855-M80-8541042	855-M80-8691022	M80-8691022	A	10	2.76	2.28	2.11
855-M80-8541242	855-M80-8691222	M80-8691222	A	12	3.03	2.51	2.20
855-M80-8541442	855-M80-8691422	M80-8691422	A	14	2.95	2.58	2.28
855-M80-8541842	855-M80-8691822	M80-8691822	A	18	3.83	3.33	2.94
855-M80-8542042	855-M80-8692022	M80-8692022	A	20	4.10	3.48	3.16
855-M80-8542642	855-M80-8692622	M80-8692622	A	26	4.86	4.11	3.67
Double Row With Friction Latch							
855-M80-8630442	855-M80-8150422	M80-8150422	A	4	3.22	2.72	2.57
855-M80-8630642	855-M80-8150622	M80-8150622	A	6	3.69	3.11	2.84
855-M80-8630842	855-M80-8150822	M80-8150822	A	8	3.63	3.16	2.78
855-M80-8631042	855-M80-8151022	M80-8151022	A	10	3.82	3.22	2.94
855-M80-8631442	855-M80-8151422	M80-8151422	A	14	4.33	3.81	3.40
-----	855-M80-8152022	M80-8152022	A	20	4.90	4.45	3.90

L-Tek Male PC Tail Connectors - Right Angle

Features:

- Selective Gold Plating
- PCB hold-downs included
- Polarized mouldings
- 3A contact

For quantities greater than listed, call for quote.

MOUSER RoHS COMPLIANT STOCK NO.	MOUSER NON-RoHS STOCK NO.	Harwin Part No.	Fig.	No. of Contacts	Price Each		
					1	10	25
Single Row With Locking Latch							
855-M80-8420242	855-M80-8760222	M80-8760222	B	2	3.05	2.58	2.37
855-M80-8420342	855-M80-8760322	M80-8760322	B	3	3.14	2.66	2.36
855-M80-8420442	855-M80-8760422	M80-8760422	B	4	3.23	2.73	2.46
855-M80-8420542	855-M80-8760522	M80-8760522	B	5	3.33	2.82	2.62
855-M80-8420642	855-M80-8760622	M80-8760622	B	6	3.41	2.88	2.62
Double Row With Locking Latch							
855-M80-8510442	855-M80-8660422	M80-8660422	B	4	4.72	4.00	3.59
855-M80-8510642	855-M80-8660622	M80-8660622	B	6	4.99	4.22	3.87
855-M80-8510842	855-M80-8660822	M80-8660822	B	8	5.23	4.43	4.12

LATCHING OPTIONS

Locking Latch: The opening in the locking latch allows it to physically snap onto the mating half for additional retention force.

Friction Latch: The friction latch is solid, which allows additional retention without physically locking onto mating half.

Unlatched: The unique design of the four leaf Beryllium Copper contacts provides retention force for unlatched options.

L-Tek Male PC Tail Connectors - Right Angle (Cont.)

Features:

- Selective Gold Plating
- PCB hold-downs included
- Polarized mouldings
- 3 Amp contact

For quantities greater than listed, call for quote.

MOUSER RoHS COMPLIANT STOCK NO.	MOUSER NON-RoHS STOCK NO.	Harwin Part No.	Fig.	No. of Contacts	Price Each		
					1	10	25
Double Row With Locking Latch (Cont.)							
855-M80-8511042	855-M80-8661022	M80-8661022	B	10	5.46	4.62	4.11
855-M80-8511242	855-M80-8661222	M80-8661222	B	12	5.70	4.82	4.36
855-M80-8511442	855-M80-8661422	M80-8661422	B	14	5.97	5.04	4.64
855-M80-8511642	855-M80-8661622	M80-8661622	B	16	6.53	5.52	5.14
855-M80-8511842	855-M80-8661822	M80-8661822	B	18	6.01	5.49	5.22
855-M80-8512042	855-M80-8662022	M80-8662022	B	20	6.22	5.68	5.15
855-M80-8512642	855-M80-8662622	M80-8662622	B	26	6.89	6.29	5.92
855-M80-8513442	855-M80-8663422	M80-8663422	B	34	7.76	7.09	6.40
Double Row Unlatched							
855-M80-8410642	855-M80-8680622	M80-8680622	B	6	3.15	2.66	2.48
855-M80-8410842	855-M80-8680822	M80-8680822	B	8	3.42	2.89	2.57
855-M80-8411242	855-M80-8681222	M80-8681222	B	12	3.95	3.35	3.08
855-M80-8411442	855-M80-8681422	M80-8681422	B	14	4.25	3.60	3.35
855-M80-8411842	855-M80-8681822	M80-8681822	B	18	5.19	4.39	4.12
855-M80-8412042	855-M80-8682022	M80-8682022	B	20	5.47	4.63	4.11
855-M80-8412642	855-M80-8682622	M80-8682622	B	26	6.33	5.35	4.89
Double Row With Friction Latch							
855-M80-8390442	855-M80-8140422	M80-8140422	B	4	4.83	4.21	3.72
855-M80-8390642	855-M80-8140622	M80-8140622	B	10	5.57	4.71	4.19
855-M80-8391642	855-M80-8141622	M80-8141622	B	16	6.38	5.63	5.13
855-M80-8392042	855-M80-8142022	M80-8142022	B	20	6.34	5.78	5.24
855-M80-8392642	855-M80-8142622	M80-8142622	B	26	7.03	6.41	5.78
855-M80-8393442	855-M80-8143422	M80-8143422	B	34	7.90	7.22	6.86

L-Tek Male Surface Mount Connectors - Vertical

Features:

- Selective Gold Plating
- Double Row
- Polarized mouldings
- 3 Amp contact

For quantities greater than listed, call for quote.

MOUSER RoHS COMPLIANT STOCK NO.	MOUSER NON-RoHS STOCK NO.	Harwin Part No.	Fig.	No. of Contacts	Price Each		
					1	10	25
With Locking Latch							
855-M80-8280442	855-M80-8280422	M80-8280422	C	4	3.70	3.14	2.82
855-M80-8280642	855-M80-8280622	M80-8280622	C	6	3.92	3.32	3.08
855-M80-8280842	855-M80-8280822	M80-8280822	C	8	4.17	3.53	3.19
855-M80-8281042	855-M80-8281022	M80-8281022	C	10	4.38	3.71	3.34
855-M80-8281242	855-M80-8281222	M80-8281222	C	12	4.61	3.90	3.60
855-M80-8281442	855-M80-8281422	M80-8281422	C	14	4.85	4.10	3.59
855-M80-8281842	855-M80-8281822	M80-8281822	C	18	5.63	4.76	4.37
855-M80-8282642	855-M80-8282622	M80-8282622	C	26	6.57	5.55	5.14