

FCI 2.00mm (.079") Minitek Connectors

This product is RoHS compliant.

MINITEK™ PIN-IN-PASTE CONNECTORS

- Housing Material: High Temperature Thermoplastic
- Flammability Rating: UL94V-0
- RoHS compliant per FCI documentation



For quantities greater than listed, call for quote.

MOUSER STOCK NO.	FCI Part No.	Fig.	No. of Pos.	Plating	Price Each			
					1	25	100	250
Unshrouded Headers								
649-10075024-05ULF	10075024-G01-05ULF	A	10	30µ" Gold	.84	.68	.608	.586
649-10075024-06ULF	10075024-G01-06ULF	A	12	30µ" Gold	1.03	.93	.759	.736
649-10075024-15ULF	10075024-G01-15ULF	A	30	30µ" Gold	3.29	2.39	2.09	2.01
649-10075024-17ULF	10075024-G01-17ULF	A	34	30µ" Gold	3.34	2.48	2.13	2.11
Shrouded Headers								
649-10075025-34ULF	10075025-G01-34ULF	B	34	30µ" Gold selective	3.73	2.64	2.37	2.30

MINITEK™ HEADERS

Unshrouded Headers

- Housing Material: High Temperature Thermoplastic
- Temperature Range: -55°C to +125°C
- Color: Black



For quantities greater than listed, call for quote.

MOUSER STOCK NO.	FCI Part No.	Fig.	No. of Pos.	Plating	Orientation	Price Each			
						1	25	100	250
Through Hole									
649-57102-S06-05LF	57102-S06-05LF	A	10	15µ" Gold Selective	Vertical	1.30	1.20	1.10	1.04
649-57102-F08-05ULF	57102-F08-05ULF	A	10	Gold Flash	Vertical	.92	.80	.708	.675
649-57102-F08-25LF	57102-F08-25LF	A	50	Gold Flash	Vertical	1.56	1.41	1.19	1.16
649-98423-G61-08ULF	98423-G61-08ULF	C	16	30µ" Gold Selective	Right Angle	1.66	1.55	1.44	1.38
649-98423-G61-10ULF	98423-G61-10ULF	C	20	30µ" Gold Selective	Right Angle	1.92	1.76	1.61	1.51
Surface Mount									
649-57202-G52-02ALF	57202-G52-02ALF	D	4	30µ" Gold Selective	Vertical	.85	.77	.711	.698
649-57202-G52-03ALF	57202-G52-03ALF	D	6	30µ" Gold Selective	Vertical	1.01	.91	.817	.795
649-57202-F52-03ALF	57202-F52-03ALF	D	6	Gold Flash	Vertical	.73	.65	.57	.556
649-57202-G52-04ALF	57202-G52-04ALF	D	8	30µ" Gold Selective	Vertical	1.10	.97	.908	.885
649-57202-G52-05ALF	57202-G52-05ALF	D	10	30µ" Gold Selective	Vertical	1.27	1.12	1.05	1.04
649-57202-G52-06ALF	57202-G52-06ALF	D	12	30µ" Gold Selective	Vertical	1.50	1.41	1.29	1.24
649-57202-G52-10ALF	57202-G52-10ALF	D	20	30µ" Gold Selective	Vertical	1.73	1.54	1.41	1.39
649-57202-G52-20LF	57202-G52-20LF	D	40	30µ" Gold Selective	Vertical	4.02	3.06	2.73	2.65

Shrouded Headers

- Housing Material: High Temperature Thermoplastic
- Temperature Range: -40°C to +125°C
- Color: Cream



For quantities greater than listed, call for quote.

Surface Mount									
MOUSER STOCK NO.	FCI Part No.	Fig.	No. of Pos.	Plating	Orientation	1	25	100	250
649-98424-G52-04ALF	98424-G52-04ALF	E	4	30µ" Gold Selective	Vertical	.78	.72	.677	.637
649-98424-G52-06ALF	98424-G52-06ALF	E	6	30µ" Gold Selective	Vertical	1.04	.95	.874	.821
649-98424-G52-08ALF	98424-G52-08ALF	E	8	30µ" Gold Selective	Vertical	.70	.61	.515	.50
649-98424-F52-10ALF	98424-F52-10ALF	E	10	Gold Flash	Vertical	1.36	1.19	1.09	1.07
649-98424-G52-10ALF	98424-G52-10ALF	E	10	30µ" Gold Selective	Vertical	.81	.77	.734	.62
649-98424-G52-12ALF	98424-G52-12ALF	E	12	30µ" Gold Selective	Vertical	.80	.69	.575	.563
649-98424-G52-14ALF	98424-G52-14ALF	E	14	30µ" Gold Selective	Vertical	.96	.88	.807	.764
649-98424-G52-16ALF	98424-G52-16ALF	E	16	30µ" Gold Selective	Vertical	1.20	1.14	1.08	.918
649-98424-G52-20ALF	98424-G52-20ALF	E	20	30µ" Gold Selective	Vertical	1.27	1.17	1.07	1.00
649-98424-G52-30ALF	98424-G52-30ALF	E	30	30µ" Gold Selective	Vertical	1.86	1.62	1.52	1.47
Through Hole									
649-98464-G61-08LF	98464-G61-08LF	F	8	30µ" Gold Selective	Right Angle	1.53	1.26	1.13	1.11
649-98464-G61-10ULF	98464-G61-10ULF	F	10	30µ" Gold Selective	Right Angle	1.33	1.21	1.13	1.06
649-98464-F61-12ULF	98464-F61-12ULF	F	12	Gold Flash	Right Angle	1.98	1.82	1.67	1.56
649-98464-G61-14ULF	98464-G61-14ULF	F	14	30µ" Gold Selective	Right Angle	1.34	1.24	1.14	1.07
649-98464-F61-18ULF	98464-F61-18ULF	F	18	Gold Flash	Right Angle	1.40	1.21	1.08	1.05

Housings

- Temperature Range: -40°C to +105°C



For quantities greater than listed, call for quote.

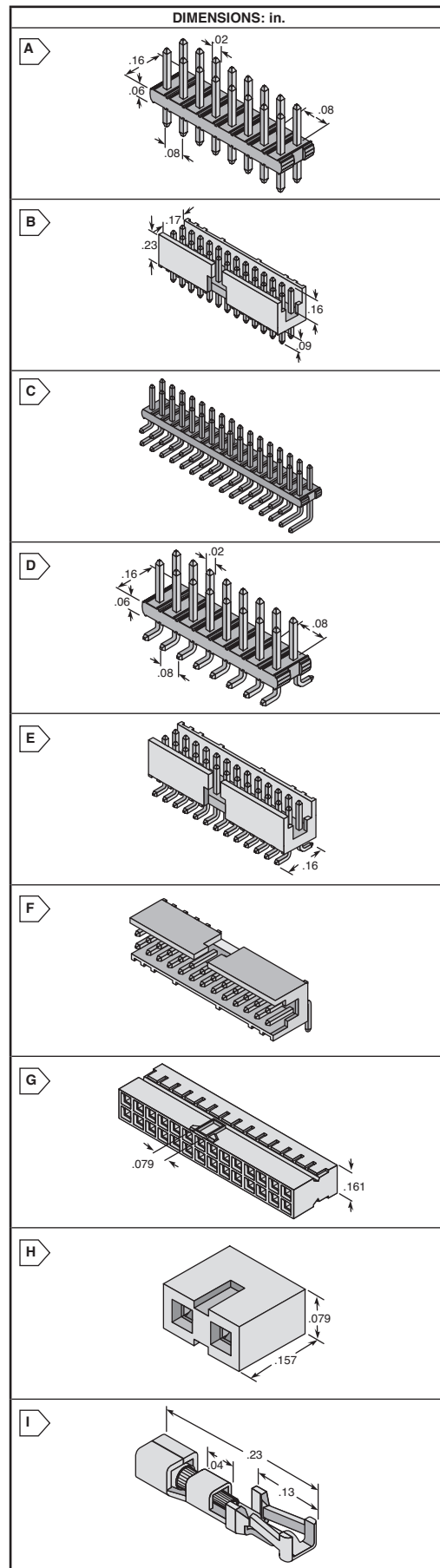
MOUSER STOCK NO.	FCI Part No.	Fig.	No. of Pos.	Number of Rows	Color	Price Each			
						1	25	100	250
649-90311-004LF	90311-004LF	G	4	2	Black	.61	.57	.541	.52
649-90311-006LF	90311-006LF	G	6	2	Black	.60	.57	.542	.461
649-90311-008LF	90311-008LF	G	8	2	Black	.69	.59	.508	.478
649-90311-010LF	90311-010LF	G	10	2	Black	.61	.57	.542	.507
649-90311-012LF	90311-012LF	G	12	2	Black	.74	.68	.63	.586
649-90311-014LF	90311-014LF	G	14	2	Black	.81	.72	.627	.614
649-90311-016LF	90311-016LF	G	16	2	Black	.90	.80	.792	.745
649-90311-020LF	90311-020LF	G	20	2	Black	1.08	.97	.922	.887
649-90311-026LF	90311-026LF	G	26	2	Black	1.25	1.08	.978	.929
649-90311-044LF	90311-044LF	G	44	2	Black	1.69	1.55	1.42	1.33
649-90312-003LF	90312-003LF	G	3	1	Black	.54	.49	.453	.427
649-90312-004LF	90312-004LF	G	4	1	Black	.62	.59	.564	.496
649-90312-007LF	90312-007LF	G	7	1	Black	.62	.59	.574	.555
649-90312-008LF	90312-008LF	G	8	1	Black	.67	.62	.575	.541
649-90312-010LF	90312-010LF	G	10	1	Black	.93	.88	.841	.71

Shunts and Contacts

- Temperature Range: -40°C to +105°C
- RoHS compliant per FCI documentation

For quantities greater than listed, call for quote.

MOUSER STOCK NO.	FCI Part No.	Fig.	Plating	Price Each			
				1	100	500	1000
Shunts • Housing Material: Glass-filled PBT • Current Rating: 1 Amp continuous							
649-86730-001LF	86730-001LF	H	Gold Flash	.60	.356	.285	.256
649-86730-101LF	86730-101LF	H	30µ" Gold	.74	.527	.426	.381
Contacts • Current Rating: 2 Amp continuous							
649-77138-101LF	77138-101LF	I	30µ" Gold selective plating	.15	.129	.107	.086
649-77138-001LF	77138-001LF	I	8µ" Gold selective plating	.14	.129	.124	.107



FCI Rectangular Connectors