

# FCI Mezzanine Connectors



## MEZZOSTAK™ 0.5MM BOARD TO BOARD MEZZANINE CONNECTORS

### Specifications:

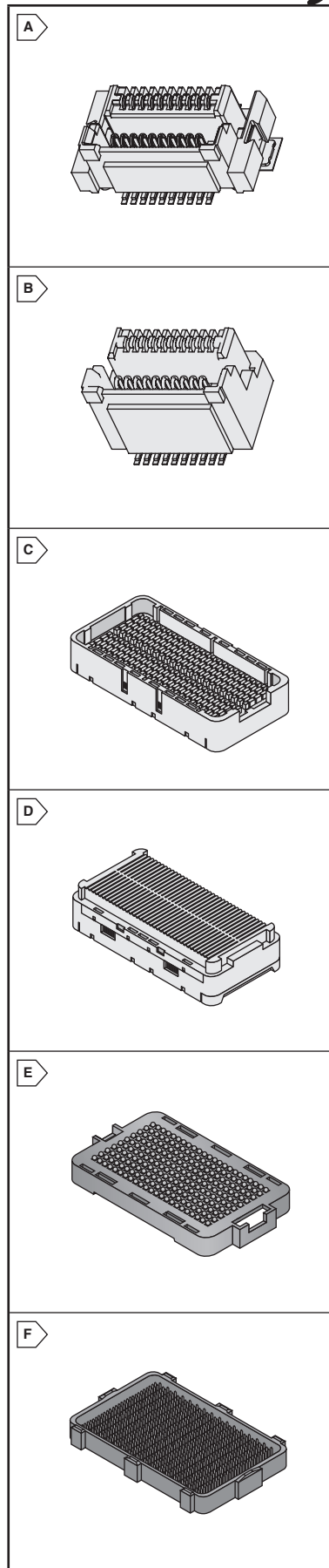
- Hermaphroditic design "mates to itself"
- Easy, Reliable Mating
- High un-mating force insures connection security
- Extreme operating temperature: -40°C to 125°C
- 7 Stack heights: 4mm to 7mm



RoHS Compliant This product is RoHS compliant.

For quantities greater than listed, call for quote.

MOUSER STOCK NO.	FCI Part No.	Fig.	No. of Positions	Connector Height (mm)	Length (mm)	Pegs	Hold Down	Price Each		
								1	25	50
<b>Standard Length</b>										
649-10106813021112LF	10106813-021112LF	A	20	2.0	9.2	Yes	Yes	2.03	1.58	1.39
649-10106813024112LF	10106813-024112LF	A	20	3.5	9.2	Yes	Yes	2.03	1.58	1.39
649-10106813031112LF	10106813-031112LF	A	30	2.0	11.7	Yes	Yes	1.98	1.64	1.45
649-10106813034112LF	10106813-034112LF	A	30	3.5	11.7	Yes	Yes	1.98	1.64	1.45
649-10106813041112LF	10106813-041112LF	A	40	2.0	14.2	Yes	Yes	2.61	2.16	1.88
649-10106813044112LF	10106813-044112LF	A	40	3.5	14.2	Yes	Yes	2.61	2.16	1.88
649-10106813051112LF	10106813-051112LF	A	50	2.0	16.7	Yes	Yes	2.61	2.16	1.88
649-10106813054112LF	10106813-054112LF	A	50	3.5	16.7	Yes	Yes	2.61	2.16	1.88
649-10106813061112LF	10106813-061112LF	A	60	2.0	19.2	Yes	Yes	2.95	2.44	2.15
649-10106813064112LF	10106813-064112LF	A	60	3.5	19.2	Yes	Yes	2.95	2.44	2.15
649-10106813071112LF	10106813-071112LF	A	70	2.0	21.7	Yes	Yes	3.29	2.72	2.35
649-10106813074112LF	10106813-074112LF	A	70	3.5	21.7	Yes	Yes	3.29	2.72	2.35
<b>Short Length</b>										
649-10106814021002LF	10106814-021002LF	B	20	2.0	7.5	No	No	1.99	1.55	1.35
649-10106814024002LF	10106814-024002LF	B	20	3.5	7.5	No	No	1.99	1.55	1.35
649-10106814031002LF	10106814-031002LF	B	30	2.0	10.0	No	No	2.00	1.60	1.41
649-10106814034002LF	10106814-034002LF	B	30	3.5	10.0	No	No	2.00	1.60	1.41
649-10106814041002LF	10106814-041002LF	B	40	2.0	12.5	No	No	2.02	1.66	1.48
649-10106814044002LF	10106814-044002LF	B	40	3.5	12.5	No	No	2.02	1.66	1.48
649-10106814051002LF	10106814-051002LF	B	50	2.0	15.0	No	No	2.69	2.22	1.93
649-10106814054002LF	10106814-054002LF	B	50	3.5	15.0	No	No	2.69	2.22	1.93
649-10106814061002LF	10106814-061002LF	B	60	2.0	17.5	No	No	2.91	2.40	2.11
649-10106814064002LF	10106814-064002LF	B	60	3.5	17.5	No	No	2.91	2.40	2.11
649-10106814071002LF	10106814-071002LF	B	70	2.0	20.0	No	No	3.25	2.65	2.31
649-10106814074002LF	10106814-074002LF	B	70	3.5	20.0	No	No	3.25	2.65	2.31



Rectangular Connectors FCI

## GIG-ARRAY® HIGH-SPEED, HIGH DENSITY BOARD STACKING CONNECTORS

Connector sizes are 200 and 296 positions at stack heights from 15mm to 40mm at data rates up to 10Gb/s. Connectors utilize Ball Grid Array (BGA) technology for compatibility with SMT reflow soldering process.

### Specifications:

- Housing Material: LCP
- Contact Material: High Strength Copper Alloy
- Mating Cycles: 25
- Current Rating: 1A per contact at 30°C DT
- Insulation Resistance: 100MV
- Withstanding Voltage: 500VAC
- Temperature Range: -40°C to 85°C
- RoHS Compliant per FCI documentation

For quantities greater than listed, call for quote.

MOUSER STOCK NO.	FCI Part No.	Fig.	Gender	No. of Positions	Spacing	Contact Plating	Price Each		
							1	5	10
649-55737-001LF	55737-001LF	C	Plug	200	10mm	Gold	34.56	32.26	29.34
649-10060910-001LF	10060910-001LF	C	Plug	200	13mm	Gold	36.27	34.77	32.17
649-154783-001LF	10054783-001LF	C	Plug	200	25mm	Gold	37.87	33.42	32.45
649-10060911-001LF	10060911-001LF	C	Plug	296	13mm	Gold	52.50	48.13	44.23
649-55727-001LF	55727-001LF	C	Plug	296	20mm	Gold	63.20	60.36	55.20
649-55741-001LF	55741-001LF	D	Receptacle	200	15mm	Gold	37.00	35.76	32.97
649-160912-001LF	10060912-001LF	D	Receptacle	200	15mm	Gold	35.52	31.33	30.43
649-55701-001LF	55701-001LF	D	Receptacle	296	5mm	Gold	48.37	42.71	39.02

## MEG-ARRAY® HIGH-SPEED BOARD STACKING CONNECTORS

Connectors sizes span 100 to 400 contact positions at stack heights from 4mm to 8mm at data rates up to 10Gb/s. Add plug and receptacle contributions shown in table to determine the resulting mated height. Connectors utilize Ball Grid Array (BGA) technology for compatibility with SMT reflow soldering process.

### Specifications:

- Housing Material: LCP
- Contact Material: Copper Alloy
- Durability (Mating Cycles): 50
- Current Rating: 0.45A per contact at 30°C rise
- RoHS Compliant per FCI documentation



\*: Au over Ni with special contact geometry to meet requirements of Teleordia GR-1217.

For quantities greater than listed, call for quote.

MOUSER STOCK NO.	FCI Part No.	Fig.	Gender	No. of Positions	Connector Contribution to Stack Height	Contact Plating	Price Each		
							1	10	25
649-84512-102LF	84512-102LF	E	Plug	100	0mm	30AU	15.43	12.73	11.58
649-84516-102LF	84516-102LF	E	Plug	200	0mm	30AU	13.93	11.39	10.45
649-84500-002LF	84500-002LF	E	Plug	300	0mm	15AU	7.68	6.74	5.96
649-84500-102LF	84500-102LF	E	Plug	300	0mm	30AU	13.58	11.13	10.42
649-84500-202LF	84500-202LF	E	Plug	300	0mm	*	25.10	22.03	18.82
649-84520-102LF	84520-102LF	E	Plug	400	6mm	30AU	26.26	21.85	19.69
649-84513-101LF	84513-101LF	F	Receptacle	100	4mm	30AU	17.02	14.17	12.76
649-84517-101LF	84517-101LF	F	Receptacle	200	4mm	30AU	16.91	13.18	12.24
649-84501-001LF	84501-001LF	F	Receptacle	300	4mm	15AU	17.24	15.62	14.26
649-84501-201LF	84501-201LF	F	Receptacle	300	4mm	*	25.08	21.62	19.91
649-84502-001LF	84502-001LF	F	Receptacle	300	5.5mm	15AU	21.41	19.76	17.71
649-84502-101LF	84502-101LF	F	Receptacle	300	5.5mm	30AU	30.53	25.27	23.33
649-84553-101LF	84553-101LF	F	Receptacle	300	8mm	30AU	29.68	23.69	22.69
649-74221-001LF	74221-001LF	F	Receptacle	400	4mm	15AU	18.93	16.28	13.73
649-74221-101LF	74221-101LF	F	Receptacle	400	4mm	30AU	24.07	20.70	18.05
649-74390-101LF	74390-101LF	F	Receptacle	400	8mm	30AU	29.52	24.55	22.58