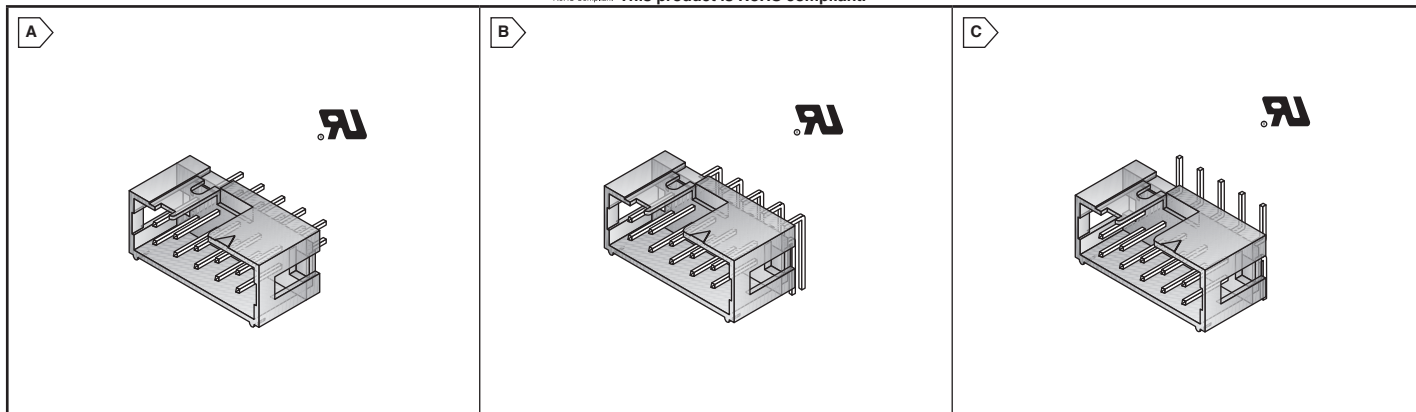


3M™ .100" x .100" Boardmount Connectors



RoHS Compliant This product is RoHS compliant.



2500 SERIES .100" X .100" LOW PROFILE BOX HEADERS

Specifications:

- Solder Tail Type
- Low profile, space saving design
- High temperature insulator suitable for "no lead" soldering operations
- Suitable for reflow soldering using "paste in hole" techniques
- Insulation material: Glass filled polyester (PCT)
- Flammability: UL94V-0
- Color: Black
- Contact material: Copper Alloy
- Contact plating: 30µ" Gold
- Terminal finish indicator: e3 (per JESD97)
- Current rating: 2A
- Insulation resistance: >1 x 109 @ 500VDC
- Withstanding voltage: 1000Vrms @ sea level
- Temperature rating: 55°C to +105°C
- Process rating: Maximum 260°C, single pass, (profile per J-STD-020C)
- Moisture sensitivity level: 1 (per J-STD-020C)
- Mates w/socket series: CHG, 8500, 3000, and 891
- RoHS compliant per 3M documentation

D2500 SERIES .100" X .100" LOW PROFILE BOX HEADERS

Specifications:

- Contact Plating 10µ" Gold
- Low profile, space saving design
- High temperature insulator suitable for "no lead" soldering operations
- Insulation material: Glass filled polyester (PCT)
- Flammability: UL94V-0
- Color: Black

For quantities greater than listed, call for quote.

MOUSER STOCK NO.	3M Part No.	Fig.	No. of Positions	Price Each			
				1	25	50	100
Straight - Through Hole							
517-D2510-6002-AR	D2510-6002-AR	A	10	1.56	1.45	1.30	1.16
517-D2514-6002-AR	D2514-6002-AR	A	14	1.62	1.50	1.35	1.20
517-D2516-6002-AR	D2516-6002-AR	A	16	1.80	1.67	1.50	1.34
517-D2520-6002-AR	D2520-6002-AR	A	20	1.89	1.75	1.57	1.40
517-D2526-6002-AR	D2526-6002-AR	A	26	2.02	1.87	1.68	1.50
517-D2530-6002-AR	D2530-6002-AR	A	30	2.61	2.45	2.18	1.96
517-D2534-6002-AR	D2534-6002-AR	A	34	1.80	1.70	1.61	1.52
517-D2540-6002-AR	D2540-6002-AR	A	40	1.87	1.71	1.64	1.50
517-D2550-6002-AR	D2550-6002-AR	A	50	2.85	2.67	2.38	2.14
Right Angle - Through Hole							
517-D2510-5002-AR	D2510-5002-AR	B	10	1.72	1.60	1.44	1.28
517-D2514-5002-AR	D2514-5002-AR	B	14	1.78	1.65	1.48	1.32
517-D2516-5002-AR	D2516-5002-AR	B	16	1.99	1.85	1.66	1.48
517-D2520-5002-AR	D2520-5002-AR	B	20	2.07	1.92	1.73	1.54
517-D2526-5002-AR	D2526-5002-AR	B	26	2.10	1.97	1.78	1.60
517-D2530-5002-AR	D2530-5002-AR	B	30	2.31	2.11	1.90	1.75
517-D2550-5002-AR	D2550-5002-AR	B	50	3.12	2.92	2.60	2.34
Straight - Surface Mount							
517-D2510-6V0C-AR-WD	D2510-6V0C-AR-WD	C	10	1.71	1.64	1.48	1.32
517-D2514-6V0C-AR-WD	D2514-6V0C-AR-WD	C	14	1.76	1.68	1.52	1.36
517-D2516-6V0C-AR-WE	D2516-6V0C-AR-WE	C	16	2.06	1.98	1.77	1.55
517-D2520-6V0C-AR-WE	D2520-6V0C-AR-WE	C	20	2.00	1.91	1.73	1.55
517-D2530-6V0C-AR-WF	D2530-6V0C-AR-WF	C	30	3.36	3.22	2.31	2.20
517-D2540-6V0C-AR-WH	D2540-6V0C-AR-WH	C	40	3.87	3.01	2.65	2.39
517-D2550-6V0C-AR-WG	D2550-6V0C-AR-WG	C	50	3.14	2.99	2.69	2.39

For quantities greater than listed, call for quote.

MOUSER STOCK NO.	3M Part No.	Fig.	No. of Positions	Price Each			
				1	25	50	100
Straight - Through Hole							
517-N2510-6002RB	N2510-6002RB	A	10	1.78	1.65	1.48	1.32
517-N2514-6002RB	N2514-6002RB	A	14	2.21	1.70	1.53	1.36
517-N2516-6002RB	N2516-6002RB	A	16	1.90	1.69	1.52	1.38
517-N2520-6002RB	N2520-6002RB	A	20	1.98	1.76	1.58	1.44
517-N2524-6002RB	N2524-6002RB	A	24	2.78	2.58	2.32	2.08
517-N2526-6002RB	N2526-6002RB	A	26	2.13	1.89	1.70	1.55
517-N2530-6002RB	N2530-6002RB	A	30	3.10	2.79	2.48	2.23
517-N2534-6002RB	N2534-6002RB	A	34	2.04	1.94	1.82	1.63
517-N2540-6002RB	N2540-6002RB	A	40	2.73	2.42	2.18	1.98
517-N2550-6002RB	N2550-6002RB	A	50	3.38	3.00	2.70	2.45
517-N2560-6002RB	N2560-6002RB	A	60	4.05	3.60	3.24	2.95
517-N2564-6002RB	N2564-6002RB	A	64	2.98	2.77	2.55	2.39
Right Angle - Through Hole							
517-N2510-5002RB	N2510-5002RB	B	10	1.83	1.62	1.46	1.33
517-N2514-5002RB	N2514-5002RB	B	14	1.88	1.67	1.50	1.36
517-N2516-5002RB	N2516-5002RB	B	16	2.10	1.87	1.68	1.53
517-N2520-5002RB	N2520-5002RB	B	20	2.20	1.96	1.76	1.60
517-N2524-5002RB	N2524-5002RB	B	24	2.10	1.95	1.80	1.68
517-N2526-5002RB	N2526-5002RB	B	26	2.33	2.07	1.86	1.69
517-N2530-5002RB	N2530-5002RB	B	30	2.44	2.24	2.08	1.96
517-N2534-5002RB	N2534-5002RB	B	34	2.78	2.47	2.22	2.02
517-N2540-5002RB	N2540-5002RB	B	40	3.00	2.67	2.40	2.18
517-N2550-5002RB	N2550-5002RB	B	50	3.51	3.18	2.96	2.89
Straight - Surface Mount							
517-N2510-6V0C-RB-WD	N2510-6V0C-RB-WD	C	10	1.58	1.33	1.23	1.19
517-N2514-6V0C-RB-WD	N2514-6V0C-RB-WD	C	14	1.95	1.73	1.56	1.42
517-N2416-6V0C-RB-WE	N2516-6V0C-RB-WE	C	16	1.79	1.50	1.39	1.36
517-N2520-6V0C-RB-WE	N2520-6V0C-RB-WE	C	20	1.85	1.56	1.44	1.39
517-N2524-6V0C-RB-WE	N2524-6V0C-RB-WE	C	24	2.98	2.51	2.31	2.26
517-N2526-6V0C-RB-WF	N2526-6V0C-RB-WF	C	26	1.98	1.67	1.53	1.48
517-N2530-6V0C-RB-WF	N2530-6V0C-RB-WF	C	30	3.51	3.34	3.00	2.67
517-N2534-6V0C-RB-WF	N2534-6V0C-RB-WF	C	34	2.57	2.32	2.11	1.94
517-N2540-6V0C-RB-WH	N2540-6V0C-RB-WG	C	40	3.18	3.03	2.73	2.42
517-N2550-6V0C-RB-WG	N2550-6V0C-RB-WG	C	50	3.01	2.53	2.34	2.29

303 SERIES .100" X .100", LOW PROFILE BOX HEADERS

Specifications:

- Sturdy body
- End windows
- Insulation material: Glass filled polyester (PBT)
- Flammability: UL94V-0
- Insulation color: Black
- Contact material: Brass
- Contact plating: Gold flash
- Current rating: 1A
- Insulation resistance: >1 x 109 @ 500VDC
- Withstanding voltage: 500Vrms @ sea level
- Temperature rating: -55°C to +105°C
- Mates with socket series: CHG, 8500, 3000, and 891
- RoHS compliant per 3M documentation

For quantities greater than listed, call for quote.

MOUSER STOCK NO.	3M Part No.	Fig.	No. of Positions	Price Each			
				1	25	50	100
Straight - Through Hole							
517-30310-6002	30310-6002HB	A	10	.41	.38	.36	.35
517-30314-6002	30314-6002HB	A	14	1.00	.85	.78	.75
517-30316-6002	30316-6002HB	A	16	.53	.52	.51	.49
517-30320-6002	30320-6002HB	A	20	.57	.54	.51	.49
517-30326-6002	30326-6002HB	A	26	.64	.59	.55	.53
517-30334-6002	30334-6002HB	A	34	.92	.84	.75	.69
517-30340-6002	30340-6002HB	A	40	.89	.82	.78	.74
517-30350-6002	30350-6002HB	A	50	.64	.59	.55	.53
Right Angle - Through Hole							
517-30310-5002	30310-5002HB	B	10	.55	.52	.49	.47
517-30314-5002	30314-5002HB	B	14	.63	.60	.57	.55
517-30316-5002	30316-5002HB	B	16	.90	.86	.82	.78
517-30320-5002	30320-5002HB	B	20	.65	.62	.58	.55
517-30326-5002	30326-5002HB	B	26	.75	.72	.69	.67
517-30334-5002	30334-5002HB	B	34	1.14	.98	.90	.86
517-30340-5002	30340-5002HB	B	40	1.35	1.33	1.25	1.02
517-30350-5002	30350-5002HB	B	50	.75	.69	.63	.61