

3M™ .100" x .100" Latch/Ejector Headers



This product is RoHS compliant.



3000 SERIES

Specifications:

- Solder Tail Type
- Standard ejector latches
- Optional polarizing posts
- Mounting holes for securing header to board
- Insulation Material: Glass Filled Polyester (PCT)
- Military (with 3M's 3518 polarizing key) and centerbump polarization
- High temperature insulator suitable for "no lead" soldering operations
- Suitable for reflow soldering using "paste in hole" techniques

- Flammability: UL94V-0
- Color: Black; Ejector Latch: Gray
- Contact material: Copper Alloy
- Terminal Finish Indicator: e3 (per JESD97)
- Marking: 3M Logo, Part Identification Number and Orientation Triangle
- Current Rating: 1A
- Insulation Resistance >1 x 10⁹ at 500Vdc
- Withstanding Voltage: 1000Vrms at Sea Level

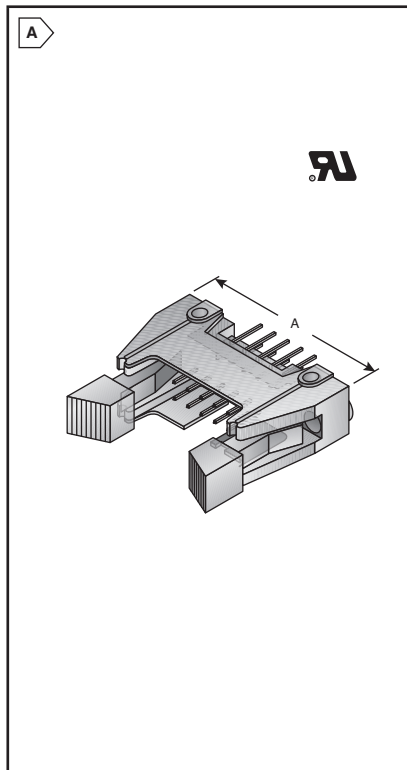
- Temperature Rating: -55°C ~ +105°C
- Process Rating: Maximum 260°C, single pass, (profile per J-STD-020C)
- Moisture Sensitivity Level: 1 (per J-STD-020C)
- Mates with Socket Series' CHG, 8500, 3000, and 891
- RoHS compliant per 3M documentation

Straight

For quantities greater than listed, call for quote.

MOUSER STOCK NO.	3M Part No.	Fig.	No. of Positions	Dimensions (A) mm(in.)	Contact Plating	Price Each			
						1	25	50	100
With Short Roll Pin Latch/Ejectors									
517-D3793-6202-AR	D3793-6202-AR	A	10	32.13 (1.26)	10µ" Gold	.96	.89	.83	.73
517-D3408-6202-AR	D3408-6202-AR	A	16	39.75 (1.56)	10µ" Gold	1.43	1.33	1.23	1.10
517-D3428-6202-AR	D3428-6202-AR	A	20	44.83 (1.76)	10µ" Gold	1.74	1.61	1.49	1.31
517-D3431-6202-AR	D3431-6202-AR	A	34	62.61 (2.46)	10µ" Gold	2.29	2.13	1.97	1.73
517-D3432-6202-AR	D3432-6202-AR	A	40	70.23 (2.76)	10µ" Gold	2.68	2.49	2.30	2.02
517-D3433-6202-AR	D3433-6202-AR	A	50	82.73 (3.26)	10µ" Gold	3.29	3.06	2.83	2.65
517-N3793-6202RB	N3793-6202RB	A	10	32.13 (1.26)	30µ" Gold	1.39	1.17	1.08	1.05
517-N3314-6202RB	N3314-6202RB	A	14	37.21 (1.46)	30µ" Gold	1.85	1.56	1.43	1.40
517-N3408-6202RB	N3408-6202RB	A	16	39.75 (1.56)	30µ" Gold	2.08	1.72	1.61	1.58
517-N3428-6202RB	N3428-6202RB	A	20	44.83 (1.76)	30µ" Gold	2.54	2.14	1.96	1.92
517-N3627-6202RB	N3627-6202RB	A	24	49.91 (1.96)	30µ" Gold	2.97	2.72	2.57	2.43
517-N3429-6202RB	N3429-6202RB	A	26	52.45 (2.06)	30µ" Gold	3.22	2.95	2.79	2.64
517-N3440-6202RB	N3440-6202RB	A	30	57.53 (2.26)	30µ" Gold	2.97	2.72	2.57	2.43
517-N3431-6202RB	N3431-6202RB	A	34	62.61 (2.46)	30µ" Gold	3.33	3.04	2.88	2.72
517-N3432-6202RB	N3432-6202RB	A	40	70.23 (2.76)	30µ" Gold	3.89	3.55	3.37	2.80
517-N3433-6202RB	N3433-6202RB	A	50	82.93 (3.26)	30µ" Gold	4.78	4.37	4.14	3.91
517-N3372-6202RB	N3372-6202RB	A	60	95.63 (3.76)	30µ" Gold	5.68	5.19	4.91	4.09
517-N3764-6202RB	N3764-6202RB	A	64	100.71 (3.96)	30µ" Gold	6.03	5.51	5.22	4.35
With Long Roll Pin Latch/Ejectors									
517-D3793-6302-AR	D3793-6302-AR	A	10	32.13 (1.26)	10µ" Gold	.96	.89	.83	.73
517-D3408-6302-AR	D3408-6302-AR	A	16	39.75 (1.56)	10µ" Gold	1.43	1.33	1.23	1.10
517-D3428-6302-AR	D3428-6302-AR	A	20	44.83 (1.76)	10µ" Gold	1.74	1.61	1.49	1.31
517-D3429-6302-AR	D3429-6302-AR	A	26	52.45 (2.06)	10µ" Gold	2.23	2.07	1.89	1.72
517-D3431-6302-AR	D3431-6302-AR	A	34	62.61 (2.46)	10µ" Gold	2.29	2.13	1.97	1.73
517-D3432-6302-AR	D3432-6302-AR	A	40	70.23 (2.76)	10µ" Gold	2.68	2.49	2.30	2.02
517-D3433-6302-AR	D3433-6302-AR	A	50	82.93 (3.26)	10µ" Gold	3.29	3.06	2.83	2.65
517-N3793-6302RB	N3793-6302RB	A	10	32.13 (1.26)	30µ" Gold	1.39	1.15	1.08	1.05
517-N3314-6302RB	N3314-6302RB	A	14	37.24 (1.46)	30µ" Gold	1.85	1.69	1.60	1.51
517-N3408-6302RB	N3408-6302RB	A	16	39.75 (1.56)	30µ" Gold	2.08	1.80	1.70	1.60
517-N3428-6302RB	N3428-6302RB	A	20	44.83 (1.76)	30µ" Gold	2.54	2.32	2.20	1.83
517-N3627-6302RB	N3627-6302RB	A	24	49.91 (1.96)	30µ" Gold	2.97	2.72	2.57	2.43
517-N3429-6302RB	N3429-6302RB	A	26	52.45 (2.06)	30µ" Gold	3.88	3.44	3.10	2.82
517-N3440-6302RB	N3440-6302RB	A	30	57.53 (2.26)	30µ" Gold	2.97	2.72	2.57	2.43
517-N3431-6302RB	N3431-6302RB	A	34	62.61 (2.46)	30µ" Gold	3.33	3.04	2.88	2.72
517-N3432-6302RB	N3432-6302RB	A	40	70.23 (2.76)	30µ" Gold	3.89	3.55	3.37	2.80
517-N3433-6302RB	N3433-6302RB	A	50	82.93 (3.26)	30µ" Gold	4.78	4.37	4.14	3.91
517-N3372-6302RB	N3372-6302RB	A	60	95.63 (3.76)	30µ" Gold	5.68	5.19	4.91	4.09
517-N3764-6302RB	N3764-6302RB	A	64	100.71 (3.96)	30µ" Gold	6.03	5.51	5.22	4.35

3M Rectangular Connectors



Right Angle

For quantities greater than listed, call for quote.

MOUSER STOCK NO.	3M Part No.	Fig.	No. of Positions	Dimensions (A) mm(in.)	Contact Plating	Price Each			
						1	25	50	100
With Short Roll Pin Latch/Ejectors									
517-D3793-5202-AR	D3793-5202-AR	B	10	32.13 (1.26)	10µ" Gold	.96	.89	.83	.73
517-D3408-5202-AR	D3408-5202-AR	B	16	39.75 (1.56)	10µ" Gold	1.43	1.33	1.23	1.10
517-D3428-5202-AR	D3428-5202-AR	B	20	44.83 (1.76)	10µ" Gold	1.74	1.61	1.49	1.31
517-D3429-5202-AR	D3429-5202-AR	B	26	52.45 (2.06)	10µ" Gold	2.23	2.07	1.89	1.72
517-N3793-5202RB	N3793-5202RB	B	10	32.13 (1.26)	30µ" Gold	1.39	1.27	1.21	1.14
517-N3314-5202RB	N3314-5202RB	B	14	37.21 (1.46)	30µ" Gold	1.85	1.69	1.60	1.51
517-N3408-5202RB	N3408-5202RB	B	16	39.75 (1.56)	30µ" Gold	2.08	1.80	1.70	1.60
517-N3428-5202RB	N3428-5202RB	B	20	44.83 (1.76)	30µ" Gold	2.54	2.32	2.20	1.83
517-N3627-5202RB	N3627-5202RB	B	24	49.91 (1.96)	30µ" Gold	2.97	2.72	2.57	2.43
517-N3429-5202RB	N3429-5202RB	B	26	52.45 (2.06)	30µ" Gold	3.22	2.71	2.50	2.44
517-N3440-5202RB	N3440-5202RB	B	30	57.53 (2.26)	30µ" Gold	2.97	2.72	2.57	2.43
517-N3431-5202RB	N3431-5202RB	B	34	62.61 (2.46)	30µ" Gold	3.33	3.04	2.88	2.72
517-N3432-5202RB	N3432-5202RB	B	40	70.23 (2.76)	30µ" Gold	3.89	3.55	3.37	2.80
517-N3433-5202RB	N3433-5202RB	B	50	82.93 (3.26)	30µ" Gold	4.78	4.37	4.14	3.91
517-N3764-5202RB	N3764-5202RB	B	64	100.71 (3.96)	30µ" Gold	6.03	5.51	5.22	4.35
With Long Roll Pin Latch/Ejectors									
517-D3793-5302-AR	D3793-5302-AR	B	10	32.13 (1.26)	10µ" Gold	.96	.89	.83	.73
517-D3431-5302-AR	D3431-5302-AR	B	34	62.61 (2.46)	10µ" Gold	2.29	2.13	1.97	1.73
517-D3432-5302-AR	D3432-5302-AR	B	40	70.23 (2.76)	10µ" Gold	2.68	2.49	2.30	2.02
517-D3433-5302-AR	D3433-5302-AR	B	50	82.93 (3.26)	10µ" Gold	3.29	3.06	2.83	2.65
517-N3793-5302RB	N3793-5302RB	B	10	32.13 (1.26)	30µ" Gold	1.39	1.27	1.21	1.14
517-N3314-5302RB	N3314-5302RB	B	14	37.21 (1.46)	30µ" Gold	1.85	1.69	1.60	1.51
517-N3408-5302RB	N3408-5302RB	B	16	39.75 (1.56)	30µ" Gold	2.08	1.80	1.70	1.60
517-N3428-5302RB	N3428-5302RB	B	20	44.83 (1.76)	30µ" Gold	2.54	2.14	1.96	1.92
517-N3627-5302RB	N3627-5302RB	B	24	49.91 (1.96)	30µ" Gold	2.97	2.72	2.57	2.43
517-N3429-5302RB	N3429-5302RB	B	26	52.45 (2.06)	30µ" Gold	3.22	2.95	2.79	2.64
517-N3431-5302RB	N3431-5302RB	B	34	62.61 (2.46)	30µ" Gold	3.33	3.04	2.88	2.72
517-N3432-5302RB	N3432-5302RB	B	40	70.23 (2.76)	30µ" Gold	3.89	3.55	3.37	2.80
517-N3433-5302RB	N3433-5302RB	B	50	82.93 (3.26)	30µ" Gold	4.78	4.37	4.14	3.91
517-N3372-5302RB	N3372-5302RB	B	60	95.63 (3.76)	30µ" Gold	5.68	5.19	4.91	4.09
517-N3764-5302RB	N3764-5302RB	B	64	100.71 (3.96)	30µ" Gold	6.03	5.51	5.22	4.35

