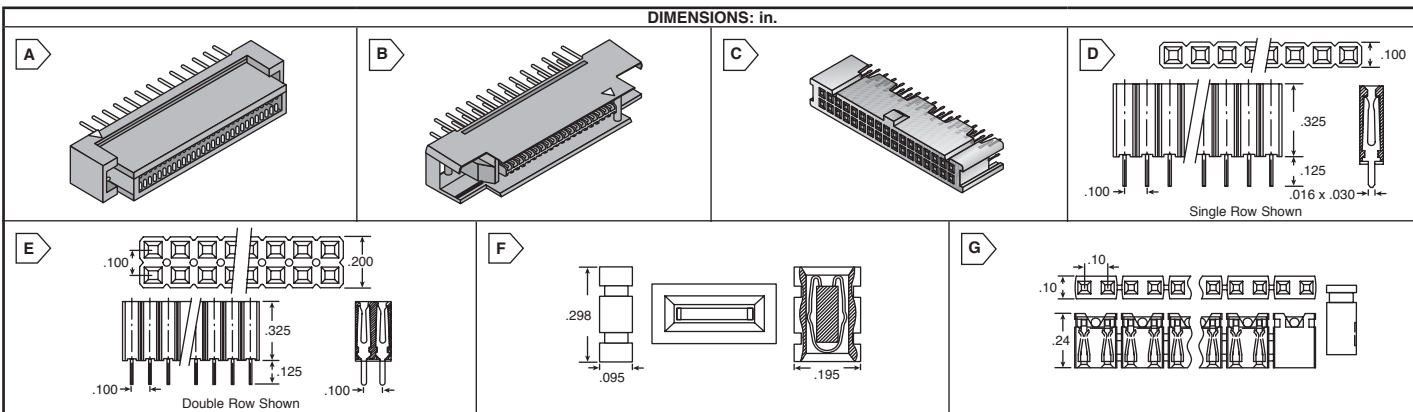


3M™ .050" and .100" Boardmount Stacking Connectors



.050" PAK 50 BOARDMOUNT CONNECTORS AND PLUGS

Features:

- Insulation material: Glass Filled Nylon
- Flammability: UL94V-0
- Color: Black
- Contact material: Phosphor Bronze
- Style: Vertical
- Termination: Solder Tail
- Current rating: 0.5A
- Temperature rating: -55°C to +85°C
- Plating: 10µ" Gold
- Retention clips included
- RoHS Compliant per 3M documentation



RoHS Compliant

P50 Series Sockets

For quantities greater than listed, call for quote.

MOUSER STOCK NO.	3M Part No.	Fig.	No. of Positions	Price Each			
				1	10	25	50
517-P50-020S-R1-EA	P50-020S-R1-EA	A	20	3.46	3.19	2.91	2.77
517-P50-026S-R1-EA	P50-026S-R1-EA	A	26	3.67	3.38	3.09	2.93
517-P50-030S-R1-EA	P50-030S-R1-EA	A	30	3.75	3.43	3.25	3.06
517-P50-040S-R1-EA	P50-040S-R1-EA	A	40	4.25	3.87	3.62	3.26
517-P50-050S-R1-EA	P50-050S-R1-EA	A	50	4.62	4.22	3.93	3.56
517-P50-080S-R1-EA	P50-080S-R1-EA	A	80	5.63	5.19	4.74	4.50
517-P50-100S-R1-EA	P50-100S-R1-EA	A	100	6.42	5.92	5.40	5.13

P50 Series Plugs

For quantities greater than listed, call for quote.

MOUSER STOCK NO.	3M Part No.	Fig.	No. of Positions	Price Each			
				1	10	25	50
517-P50-020P-R1-EA	P50-020P-R1-EA	B	20	3.45	2.88	2.63	2.58
517-P50-026P-R1-EA	P50-026P-R1-EA	B	26	3.67	3.11	2.82	2.77
517-P50-050P-R1-EA	P50-050P-R1-EA	B	50	4.62	3.93	3.56	3.40
517-P50-100P-R1-EA	P50-100P-R1-EA	B	100	6.40	5.46	4.94	4.84

P50E Series Plugs

Features:

- Mates to the P25E and P50E wiremount sockets
- Insulation material: Glass Filled Nylon
- Color: Black
- Contact material: Copper Alloy
- Style: Vertical
- Termination: Solder Tail
- Current rating: 0.5A
- Temperature rating: -55°C to +85°C
- Plating: 10µ" Gold
- RoHS Compliant per 3M documentation



RoHS Compliant

For quantities greater than listed, call for quote.

MOUSER STOCK NO.	3M Part No.	Fig.	No. of Positions	Price Each			
				1	10	25	50
517-P50E-030P1-S1-EA	P50E-030P1-S1-EA	B	30	3.71	3.03	2.94	2.82
517-P50E-050P1-S1-EA	P50E-050P1-S1-EA	B	50	4.90	3.99	3.85	3.71
517-P50E-080P1-S1-EA	P50E-080P1-S1-EA	B	80	6.63	5.58	5.30	5.13

8500 SERIES .100" X .100" POLARIZED BOARDMOUNT SOCKETS

Specifications:

- Centerbump polarization
- Mates with low profile shrouded headers
- Board retention feature
- Insulation material: Glass filled polyester (PBT), gray, UL94V-0
- Contact material: Copper alloy
- Contact plating: 12µ" Gold
- Current rating: 1A
- Withstanding voltage: 1000Vrms
- Temperature rating: -55°C to +105°C
- Mates w/ Header Series: 3000, 2500, and 3003
- Plug Series: 4600

For quantities greater than listed, call for quote.

MOUSER STOCK NO.	3M Part No.	Fig.	No. of Positions	Price Each			
				1	25	50	100
517-8510-4500PL	8510-4500PL	C	10	1.87	1.72	1.58	1.51
517-8520-4500PL	8520-4500PL	C	20	2.76	2.55	2.38	2.31
517-8526-4500PL	8526-4500PL	C	26	3.37	3.09	2.85	2.65
517-8534-4500PL	8534-4500PL	C	34	4.70	3.96	3.64	3.57
517-8540-4500PL	8540-4500PL	C	40	4.10	3.78	3.51	3.43
517-8550-4500PL	8550-4500PL	C	50	5.60	5.12	4.74	4.40



a tti company

929 SERIES SOCKETS AND SHUNTS

.100" PC Board Mount Sockets

- Tuning fork contact design
- Solder standoffs facilitate production wave soldering
- Insulation material: glass-filled polyester (PBT) black UL94V-0
- Contact plating: 10µ" gold or 100µ" tin
- Contact material: Copper alloy
- Current rating: 1A
- Tail length: .125"
- Withstanding voltage: 1500Vrms
- Temperature rating: -40°C to +105°C
- Mates with Header Series 2300 and 929

Sockets mate with .100 pin header for board stacking applications.



For quantities greater than listed, call for quote.

MOUSER STOCK NO.	3M Part No.	Fig.	No. of Positions	Price Each			
				1	10	25	50
Single Row, Gold Plated							
517-850-01-07	929850-01-07-30	D	7	1.48	1.36	1.28	1.21
517-850-01-08	929850-01-08-30	D	8	1.59	1.46	1.38	1.30
517-929850-01-10-RA	929850-01-10-RA	D	10	1.48	1.40	1.34	1.21
517-850-01-14	929850-01-14-10	D	14	2.04	1.88	1.77	1.68
517-850-01-19	929850-01-19-30	D	19	2.80	2.58	2.43	2.30
517-850-01-31	929850-01-31-10	D	31	3.24	2.98	2.81	2.66
517-929850-01-36-RA	929850-01-36-RA	D	36	2.52	2.32	2.19	2.07
Single Row, Tin Plated							
517-974-01-04-RK	974-01-04-RK	D	4	.41	.37	.34	.30
517-929974-01-10-RK	929974-01-10-RK	D	10	1.29	.37	1.08	.97
517-929974-01-12-RK	929974-01-12-RK	D	12	1.33	1.23	1.12	1.03
517-929974-01-14-RK	929974-01-14-RK	D	14	1.50	1.38	1.26	1.16
517-929974-01-16-RK	929974-01-16-RK	D	16	1.54	1.42	1.30	1.19
517-929974-01-21-RK	929974-01-21-RK	D	21	2.02	1.87	1.70	1.56
517-929974-01-36-RK	929974-01-36-RK	D	36	1.88	1.73	1.58	1.45
Double Row, Gold Plated							
517-852-01-07	929852-01-07-10	E	14	1.76	1.62	1.53	1.45
517-852-01-09	929852-01-09-10	E	18	2.04	1.88	1.77	1.68
517-929852-01-12-RA	929852-01-12-RA	E	24	2.08	1.90	1.75	1.58
517-852-01-13	929852-01-13-30	E	26	2.88	2.66	2.50	2.37
517-852-01-14	929852-01-14-10	E	28	2.59	2.38	2.25	2.13
517-852-01-20	929852-01-20-30	E	40	3.54	3.26	3.08	2.81
517-929852-01-36-RA	929852-01-36-RA	E	72	4.83	4.44	4.19	3.96
Double Row, Tin Plated							
517-929975-01-17-RK	929975-01-17-RK	E	34	2.00	1.85	1.68	1.55
517-929975-01-18-RK	929975-01-18-RK	E	36	2.04	1.88	1.72	1.58
517-929975-01-36-RK	929975-01-36-RK	E	72	3.39	3.12	2.94	2.79
Single Row, Low Profile, Gold Plated							
517-929870-01-03-RA	929870-01-03-RA	F	3	.35	.44	.292	.268
517-929870-01-04-RA	929870-01-04-RA	F	4	.47	.44	.415	.394
517-929870-01-08-RA	929870-01-08-RA	F	8	.95	.88	.827	.748
517-929870-01-16-RA	929870-01-16-RA	F	16	1.90	1.76	1.65	1.57
Single Row, Low Profile, Tin Plated							
517-929984-01-10-RK	929984-01-10-RK	F	10	1.42	1.31	1.19	1.10

Shunts

For quantities greater than listed, call for quote.

MOUSER STOCK NO.	3M Part No.	Fig.	Color	Plating Options	Price Each			
					1	100	500	1000
.100" Midgie Shunts								
517-950-00	929950-00	F	Black	Unplated	.27	.24	.22	.20
517-955-06	929955-06	F	Blue	10µ" Gold	.30	.24	.21	.196
517-957-08	929957-08	F	Gray	30µ" Gold	.30	.23	.21	.20
.100" Shunts								
517-951-00	929951-00	G	Red	75µ Tin	.08	.06	.056	.05
517-952-10	929952-10	G	Blue	10µ" Gold	.10	.08	.07	.066
517-953-30	929953-30	G	Gray	30µ" Gold	.10	.075	.071	.065