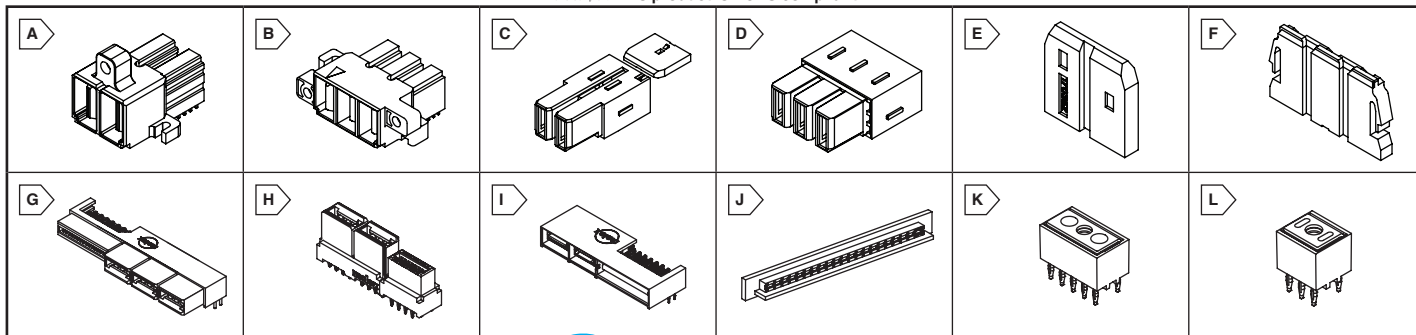


MOLEX EXTreme Power Connectors

molex
one company a world of innovation

RoHS Compliant This product is RoHS compliant.



EXTreme Guardian™ CONNECTORS

Features:

- High-current density per inch supports up to 80.0A per blade (180.0A per inch)
- Redundant contact design handles up to 600V and supports AC or DC high-voltage applications
- Small centerline spacing of 11.00mm reduces PCB footprint

Specifications:

- Voltage (max.): 600V AC/DC max.
- Current (max.): 80.0A
- Housing: Polyester, 94V-0
- Contact: Copper (Cu) Alloy



RoHS Compliant

PCB Headers

For quantities greater than listed, call for quote.

MOUSER STOCK NO.	Molex Part No.	Fig.	No. of Circuits	PCB Thick. (mm)	Tail Length (mm)	Price Each			
						1	25	50	100
538-46817-1002	46817-1002	A	2	2.36	3.86	8.74	7.64	6.70	5.73
538-46817-1000	46817-1000	B	3	2.36	3.86	12.96	11.30	9.91	8.48

Accessories

For quantities greater than listed, call for quote.

MOUSER STOCK NO.	Molex Part No.	Fig.	Description	Price Each			
				1	25	50	100
538-170352-0002	170352-0002	E	2 Circuit TPA	.54	.47	.42	.38
538-46821-0001	46821-0001	F	3 Circuit TPA	.56	.49	.43	.39

Receptacle Housings

For quantities greater than listed, call for quote.

MOUSER STOCK NO.	Molex Part No.	Fig.	No. of Circuits	AWG	Price Each			
					1	25	50	100
538-170351-0002	170351-0002	C	2	8 - 10	1.45	1.27	1.13	1.01
538-46818-0001	46818-0001	D	3	8 - 10	1.57	1.38	1.22	1.10

Power Terminals

For quantities greater than listed, call for quote.

MOUSER STOCK NO.	Molex Part No.	Fig.	AWG	Plating	Price Each			
					1	10	100	500
538-46819-0011	46819-0011	-	10	Gold	1.87	1.63	1.45	1.31
538-46819-0012	46819-0012	-	8	Gold	1.87	1.63	1.45	1.31
538-46819-0013	46819-0013	-	6	Gold	1.87	1.63	1.45	1.31

EXTreme LPHPower™ CONNECTORS

The EXTreme LPHPower connector is a mixed high-current power and signal connector system. Designed with power blades parallel to the PC board, its extremely low-profile height of 7.50mm creates system airflow while taking up 58% less space than traditional connectors with the same current rating.

Features:

- Low Profile design, 7.50mm height
- Rated for current interruption hot-plugging requirements
- Rugged signal and power contacts reduce the potential for stubbing or damage
- Two isolated power contacts per housing bay
- Last-mate/first-break available on power contacts

Specifications:

- Voltage: 250V max.
- Current: Power-30A max. Signal-1A max.
- Housing: LCP
- Contacts: Power-Copper Alloy Signal-Phosphor Bronze



RoHS Compliant



For quantities greater than listed, call for quote.

MOUSER STOCK NO.	Molex Part No.	Fig.	No. of Contacts	Orientation	Guides	PCB Thickness	Price Each			
							1	10	25	50
Receptacles										
538-45984-4132	45984-4132	G	4P+20S	Rt. Angle	No	.093"	13.27	12.70	11.51	10.65
538-45984-4142	45984-4142	G	4P+24S	Rt. Angle	No	.093"	13.30	12.66	11.76	11.17
538-45984-4152	45984-4152	G	4P+28S	Rt. Angle	No	.093"	14.12	13.63	12.61	11.76
538-45984-4432	45984-4432	G	4P+20S	Rt. Angle	Yes	.093"	14.52	14.12	11.75	11.12
538-45984-4442	45984-4442	G	4P+24S	Rt. Angle	Yes	.093"	15.15	14.68	12.99	12.45
538-45984-4452	45984-4452	G	4P+28S	Rt. Angle	Yes	.093"	15.75	14.98	14.14	13.31
538-45984-6142	45984-6142	G	6P+24S	Rt. Angle	No	.093"	13.39	12.05	11.20	10.90
538-45984-6152	45984-6152	G	6P+28S	Rt. Angle	No	.093"	16.48	15.85	14.46	13.75
538-45984-6162	45984-6162	G	6P+32S	Rt. Angle	No	.093"	14.14	12.72	11.85	11.53
538-45984-6442	45984-6442	G	6P+24S	Rt. Angle	Yes	.093"	14.70	13.22	12.29	11.95
538-45984-6452	45984-6452	G	6P+28S	Rt. Angle	Yes	.093"	17.38	16.83	15.17	14.43
538-45984-6462	45984-6462	G	6P+32S	Rt. Angle	Yes	.093"	15.47	13.92	12.95	12.60
538-45984-8442	45984-8442	G	8P+24S	Rt. Angle	Yes	.093"	16.48	14.82	14.44	14.12
538-45984-8452	45984-8452	G	8P+28S	Rt. Angle	Yes	.093"	19.71	19.03	17.54	16.72
538-45984-8462	45984-8462	G	8P+32S	Rt. Angle	Yes	.093"	17.25	15.51	14.43	14.03
538-46114-4201	46114-4201	H	4P+20S	Vertical	No	.062"	10.77	10.10	9.69	8.89
538-46114-4241	46114-4241	H	4P+24S	Vertical	No	.062"	8.52	8.33	8.08	7.92
538-46114-4281	46114-4281	H	4P+28S	Vertical	No	.062"	11.60	10.86	10.25	9.15
538-46114-4200	46114-4200	H	4P+20S	Vertical	Yes	.062"	11.33	10.97	9.65	9.10
538-46114-4240	46114-4240	H	4P+24S	Vertical	Yes	.062"	10.40	9.36	9.00	8.75
538-46114-4280	46114-4280	H	4P+28S	Vertical	Yes	.062"	12.25	12.16	11.91	10.65
538-46114-6240	46114-6240	H	6P+24S	Vertical	Yes	.062"	12.04	11.15	10.43	9.81
538-46114-6280	46114-6280	H	6P+28S	Vertical	Yes	.062"	14.33	13.96	12.45	11.78
538-46114-6320	46114-6320	H	6P+32S	Vertical	Yes	.062"	12.78	11.98	11.35	10.82
538-46114-8240	46114-8240	H	8P+24S	Vertical	Yes	.062"	13.70	12.91	11.90	11.39
538-46114-8280	46114-8280	H	8P+28S	Vertical	Yes	.062"	16.33	16.06	15.39	14.88
538-46114-8320	46114-8320	H	8P+32S	Vertical	Yes	.062"	16.67	16.25	13.86	12.52
538-46114-8400	46114-8400	H	8P+40S	Vertical	Yes	.062"	18.10	17.50	16.86	15.45
Plugs										
538-45985-4432	45985-4432	I	4P+20S	Rt. Angle	Yes	.093"	14.81	14.23	12.11	10.94
538-45985-4442	45985-4442	I	4P+24S	Rt. Angle	Yes	.093"	13.05	11.75	10.69	10.36
538-45985-4452	45985-4452	I	4P+28S	Rt. Angle	Yes	.093"	15.21	14.69	13.22	12.14
538-45985-6442	45985-6442	I	6P+24S	Rt. Angle	Yes	.093"	14.53	13.08	11.89	11.52
538-45985-6452	45985-6452	I	6P+28S	Rt. Angle	Yes	.093"	16.97	16.83	14.96	14.33
538-45985-6462	45985-6462	I	6P+32S	Rt. Angle	Yes	.093"	18.07	17.31	16.82	15.35
538-45985-8442	45985-8442	I	8P+24S	Rt. Angle	Yes	.093"	15.10	13.59	12.85	12.39
538-45985-8452	45985-8452	I	8P+28S	Rt. Angle	Yes	.093"	16.41	14.77	14.21	13.62
538-45985-8462	45985-8462	I	8P+32S	Rt. Angle	Yes	.093"	16.84	15.15	14.33	13.71

EXTreme MicroPower™ CONNECTORS

The EXTreme MicroPower High-current header can be used in VRM/DC-DC Converters or any board to board application where power transfer is needed through a non-separable interface in a compact design.

Features:

- Compact size improves airflow and saves PCB space
- Rated for current interruption hot-plugging requirements and greater density capability with lower resistance
- Solder to both PCBs

Specifications:

- Housing: LCP
- Contacts: Copper Alloy
- Voltage: 250V max.
- Current: 16A max.

For quantities greater than listed, call for quote.

MOUSER STOCK NO.	Molex Part No.	Fig.	No. of Contacts	Orientation	Tail Length	Price Each			
						1	10	25	50
538-75730-0206	75730-0206	J	6	Rt. Angle	.125"	3.55	3.10	2.75	2.22
538-75730-0216	75730-0216	J	16	Rt. Angle	.125"	5.49	4.99	4.77	4.56
538-75730-0222	75730-0222	J	22	Rt. Angle	.125"	7.31	7.07	6.98	6.84

EXTreme ZPower™ CONNECTORS

The EXTreme ZPower Connector can be used in either a mezzanine style board to board or remote style wire to board application. It can also double as an effective stand-off.

Features:

- Low contact resistance
- Rigid, screw down interface
- Compliant pin-interface
- Captured internal nut

Specifications:

- Voltage: 250V max.
- PCB Thickness: .093"

For quantities greater than listed, call for quote.

MOUSER STOCK NO.	Molex Part No.	Fig.	Description	Tail Length	Current (max.)	Price Each			
						1	10	25	50
538-76001-0010	76001-0010	K	10 Press Fit tails, Gold	.154"	50A	4.04	3.34	3.19	2.78
538-76001-0110	76001-0110	K	10 Press Fit tails, Tin	.154"	50A	3.04	2.52	2.33	2.09
538-76001-0006	76001-0006	L	6 Press Fit tails, Gold	.154"	30A	3.35	2.77	2.36	2.30
538-76001-0106	76001-0106	L	6 Press Fit tails, Tin	.154"	30A	2.96	2.45	2.20	1.95