

HARTING Heavy Duty Han® Power Connectors



HEAVY DUTY HAN® POWER CONNECTORS

Han® Hoods and Housings For A and B Inserts

Full Compliance to NEMA Type 4/12

Hoods/Housings Selection: Select the hood/housing combination that will accommodate the same size male/female inserts selected from the previous pages.

Ingress Protection: Size 3A Metal = IP 44
Size 3A Plastic = IP 65
All other Metal Sizes = IP 65

Hoods/Housings Color: Gray (RAL 7037)

Mating Information: Hoods mate with any Housings of the same size and lever type.

Hood Cable Glands: Cable Glands are not included with hoods and must be ordered off the accessory page based on PG size and cable diameter.

• RoHS Compliant per HARTING documentation



RoHS Compliant



All hoods are also available in metric threads. Please see your Mouser Sales Representative for more information.

Han® Cable Hoods

* Plastic

For quantities greater than listed, call for quote.

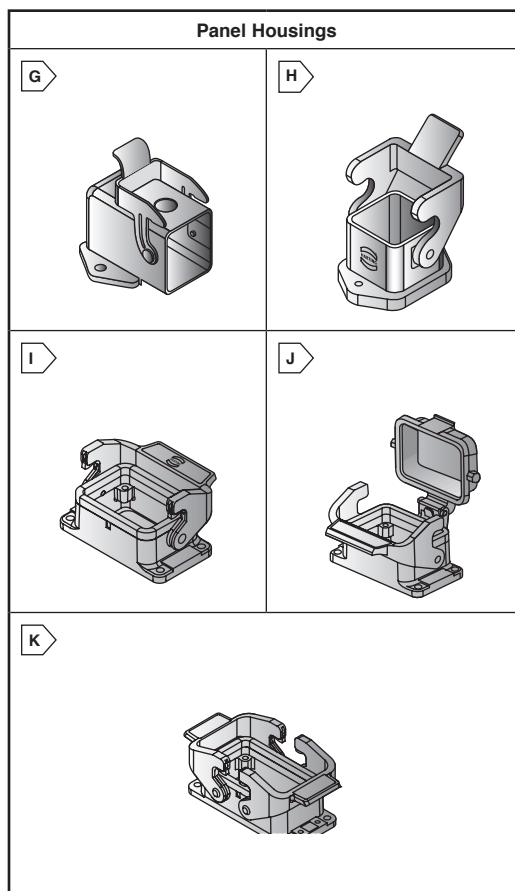
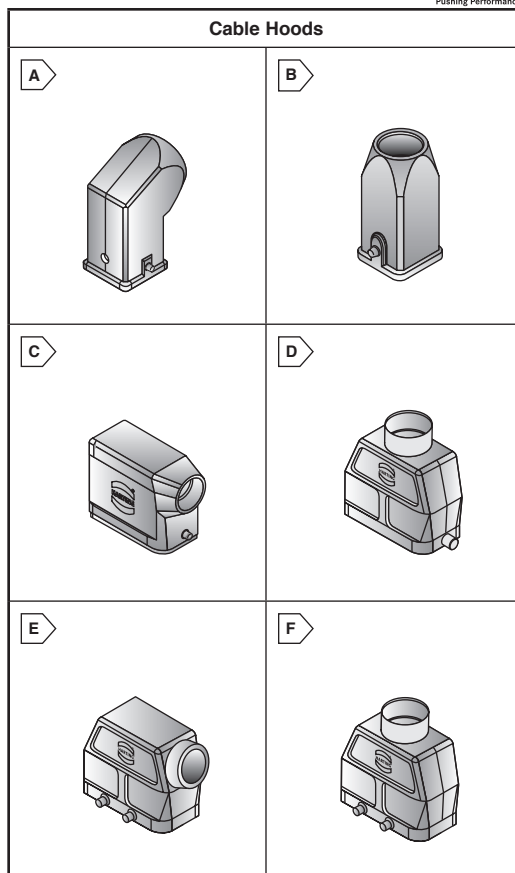
MOUSER STOCK NO.	HARTING Part No.	Fig.	Han® Size	Cable Entry	Lever Type	PG Size	Price Each		
							1	10	25
Size 3A - Standard Profile									
617-09-20-003-1640	09 20 003 1640	A	3A	Right Angle	Single	11	11.40	10.24	9.68
* 617-09-20-003-0620	09 20 003 0620	A	3A	Right Angle	Single	11	6.84	6.14	6.00
617-09-20-003-1440	09 20 003 1440	B	3A	Straight	Single	11	6.12	5.50	5.20
* 617-09-20-003-0420	09 20 003 0420	B	3A	Straight	Single	11	4.14	3.98	3.77
Size 10A - Standard Profile									
617-09-20-010-0540	09 20 010 0540	C	10A	Right Angle	Single	16	23.75	21.38	20.18
617-09-20-010-0541	09 20 010 0541	C	10A	Right Angle	Single	21	26.92	24.22	22.88
617-09-20-010-0440	09 20 010 0440	D	10A	Straight	Single	16	29.71	26.72	26.03
617-09-20-010-0441	09 20 010 0441	D	10A	Straight	Single	21	31.31	28.18	27.42
Size 10A - Low Profile									
617-09-20-010-1541	09 20 010 1541	C	10A	Right Angle	Single	16	17.62	15.86	14.98
617-09-20-010-1440	09 20 010 1440	D	10A	Straight	Single	13.5	19.50	17.53	16.58
Size 16A - Standard Profile									
617-09-20-016-0541	09 20 016 0541	C	16A	Right Angle	Single	21	25.08	22.56	21.32
617-09-20-016-0441	09 20 016 0441	D	16A	Straight	Single	21	28.54	25.68	24.26
Size 16A - Low Profile									
617-09-20-016-1541	09 20 016 1541	C	16A	Right Angle	Single	16	19.87	17.88	17.41
617-09-20-016-1441	09 20 016 1441	D	16A	Straight	Single	16	20.76	18.70	18.19
Size 6B - Standard Profile									
617-09-30-006-0542	09 30 006 0542	C	6B	Right Angle	Single	21	20.98	18.88	17.82
617-09-30-006-0543	09 30 006 0543	C	6B	Right Angle	Single	29	25.84	23.24	21.95
617-09-30-006-0442	09 30 006 0442	D	6B	Right Angle	Single	21	20.71	18.82	17.25
617-09-30-006-0443	09 30 006 0443	D	6B	Straight	Single	29	26.32	23.68	22.36
Size 6B - Low Profile									
617-09-30-006-1541	09 30 006 1541	C	6B	Right Angle	Single	16	15.72	14.14	13.36
617-09-30-006-1441	09 30 006 1441	D	6B	Straight	Single	16	16.16	14.54	13.73
Size 10B - Standard Profile									
617-09-30-010-0542	09 30 010 0542	C	10B	Right Angle	Single	21	31.20	28.08	26.52
617-09-30-010-0543	09 30 010 0543	C	10B	Right Angle	Single	29	38.70	34.82	32.90
617-09-30-010-0442	09 30 010 0442	D	10B	Straight	Single	21	42.72	38.45	36.32
617-09-30-010-0443	09 30 010 0443	D	10B	Straight	Single	29	40.96	36.86	35.91
617-09-30-010-0522	09 30 010 0522	E	10B	Right Angle	Double	21	26.12	23.50	22.19
617-09-30-010-0523	09 30 010 0523	E	10B	Right Angle	Double	29	30.42	27.36	25.86
617-09-30-010-0422	09 30 010 0422	F	10B	Straight	Double	21	26.78	24.09	22.77
617-09-30-010-0423	09 30 010 0423	F	10B	Straight	Double	29	32.26	29.04	28.25
Size 16B - Standard Profile									
617-09-30-016-0541	09 30 016 0541	C	16B	Right Angle	Single	29	36.24	32.61	30.80
617-09-30-016-0441	09 30 016 0441	D	16B	Straight	Single	29	41.68	37.50	35.42
617-09-30-016-0521	09 30 016 0521	E	16B	Right Angle	Double	29	30.74	27.67	26.10
617-09-30-016-0421	09 30 016 0421	F	16B	Straight	Double	29	30.48	27.43	25.90
Size 16B - Low Profile									
617-09-30-016-1540	09 30 016 1540	C	16B	Right Angle	Single	21	25.48	22.92	21.64
617-09-30-016-1440	09 30 016 1440	D	16B	Straight	Single	21	24.66	22.20	20.96
Size 24B - Standard Profile									
617-09-30-024-0541	09 30 024 0541	C	24B	Right Angle	Single	29	39.38	35.43	33.47
617-09-30-024-0440	09 30 024 0440	D	24B	Straight	Single	21	45.48	40.93	38.66
617-09-30-024-0441	09 30 024 0441	D	24B	Straight	Single	29	47.56	42.79	40.41
617-09-30-024-0521	09 30 024 0521	E	24B	Right Angle	Double	29	34.42	30.98	29.26
617-09-30-024-0420	09 30 024 0420	F	24B	Straight	Double	21	33.72	30.34	28.66
617-09-30-024-0421	09 30 024 0421	F	24B	Straight	Double	29	37.66	33.88	32.00
Size 24B - Low Profile									
617-09-30-024-1540	09 30 024 1540	C	24B	Right Angle	Single	21	24.56	22.12	21.53
617-09-30-024-1520	09 30 024 1520	E	24B	Right Angle	Double	21	22.36	20.11	19.01

Han® Panel Housings

* Plastic

For quantities greater than listed, call for quote.

MOUSER STOCK NO.	HARTING Part No.	Fig.	Han® Size	Mount Type	Lever Type	Price Each		
						1	10	25
617-09-20-003-0801	09 20 003 0801	G	3A	Right Angle	Single	12.57	11.32	10.69
* 617-09-20-003-0820	09 20 003 0820	G	3A	Right Angle	Single	7.40	6.66	6.28
617-09-20-003-0301	09 20 003 0301	H	3A	Straight	Single	7.86	7.08	6.68
* 617-09-20-003-0320	09 20 003 0320	H	3A	Straight	Single	5.68	5.11	4.83
617-09-20-010-0301	09 20 010 0301	I	10A	Straight	Single	16.52	14.86	14.04
617-09-20-016-0301	09 20 016 0301	I	16A	Straight	Single	21.81	19.83	18.19
617-09-30-006-0301	09 30 006 0301	I	6B	Straight	Single	15.96	14.37	13.56
617-09-30-006-0302	09 30 006 0302	J	6B	Straight w/ Cover	Single	26.28	23.65	22.34
617-09-30-010-0305	09 30 010 0305	J	10B	Straight	Single	26.38	23.74	22.42
617-09-30-010-0303	09 30 010 0303	J	10B	Straight w/ Cover	Single	36.36	32.72	30.90
617-09-30-010-0301	09 30 010 0301	K	10B	Straight	Double	24.66	22.20	20.95
617-09-30-016-0307	09 30 016 0307	I	16B	Straight	Single	28.83	28.05	27.55
617-09-30-016-0306	09 30 016 0306	J	16B	Straight w/ Cover	Single	36.84	33.16	31.30
617-09-30-016-0301	09 30 016 0301	K	16B	Straight	Double	25.27	22.98	21.06
617-09-30-024-0307	09 30 024 0307	I	24B	Straight	Single	29.68	26.71	25.23
617-09-30-024-0304	09 30 024 0304	J	24B	Straight w/ Cover	Single	43.20	38.88	36.72
617-09-30-024-0301	09 30 024 0301	K	24B	Straight	Double	28.33	25.75	23.62



Power Connectors HARTING