

# HARTING Heavy Duty Han® Modular Connectors and Modules



Pushing Performance

## HAN® HC 250 HI-CURRENT CRIMP CONNECTOR

Compliant This page of product is compliant.

- Crimp termination for vibration resistance and reliable low cost assembly
- Designed for thick cable insulations used in transportation markets
- Modular construction for high flexibility in terms of the number of poles and frame geometries
- Ease of mounting in the existing Han® 24HPR housing up to 4 poles
- High voltage rating of 2000V
- Wide range of conductor sizes of 35, 50 and 70mm<sup>2</sup>
- Particularly suited to motor connections and aggressive environments



For quantities greater than listed, call for quote.

MOUSER STOCK NO.	HARTING Part No.	Fig.	Description	Price Each		
				1	10	25
617-09110006127	09 11 000 6127	A	Crimp Contact 35mm <sup>2</sup> Male	28.42	27.17	25.52
617-09110006128	09 11 000 6128	A	Crimp Contact 35mm <sup>2</sup> Female	28.42	27.17	25.52
617-09110006129	09 11 000 6129	B	Crimp Contact 50mm <sup>2</sup> Male	28.42	27.17	25.52
617-09110006227	09 11 000 6227	B	Crimp Contact 50mm <sup>2</sup> Female	38.30	36.61	34.39
617-09110006228	09 11 000 6228	C	Crimp Contact 70mm <sup>2</sup> Male	38.30	36.61	34.39
617-09110006229	09 11 000 6229	C	Crimp Contact 70mm <sup>2</sup> Female	38.30	36.61	34.39
617-09110009925	09 11 000 9925	D	4 Pole Mounting Frame - Male	33.22	31.76	29.83
617-09110009926	09 11 000 9926	D	4 Pole Mounting Frame - Female	33.22	31.76	29.83
617-09110013021	09 11 001 3021	E	Insulation Body - Male	10.08	9.64	9.06
617-09110013121	09 11 001 3121	E	Insulation Body - Female	10.08	9.64	9.06

## D-SUB MODULES

- Ideal for transmission of sensitive signals
- Suitable for industrial applications
- DIN VDE 0627, DIN VDE 0110, DIN EN 61 984
- ※ Crimp contact sold separately

For quantities greater than listed, call for quote.

MOUSER STOCK NO.	HARTING Part No.	Fig.	No. of Positions	Insert Type	Contact Type*	AWG	Contact Rating	Price Each		
								1	10	25
617-09-14-009-3001	09 14 009 3001	F	9	Male	Crimp	26-20	5A/50V	18.96	17.04	16.10
617-09-14-009-3101	09 14 009 3101	G	9	Female	Crimp	26-20	5A/50V	18.96	17.04	16.10

## Individual Crimp Contacts

For quantities greater than listed, call for quote.

MOUSER STOCK NO.	HARTING Part No.	Fig.	Contact Type	Wire Gauge	Price Each		
					1	100	500
617-09-67-000-7177	09 67 000 7177	-	Stamped Male	28-24AWG	.18	.12	.085
617-09-67-000-7277	09 67 000 7277	-	Stamped Female	28-24AWG	.21	.14	.10
617-09-67-000-8177	09 67 000 8177	-	Stamped Male	24-20AWG	.21	.14	.099
617-09-67-000-8277	09 67 000 8277	-	Stamped Female	24-20AWG	.21	.14	.099

## PNEUMATIC MODULES

- 3 contacts for transmission of clean and dry compressed air
- Termination of 1.6mm, 3mm, 4mm and 6mm ID-tubes
- Tube sizes may be mixed in module
- Robust plastic contact
- RoHS Compliant per HARTING documentation



※ Contacts with SHUT OFF also available

For quantities greater than listed, call for quote.

MOUSER STOCK NO.	HARTING Part No.	Fig.	Description	Price Each		
				1	10	25
617-09-14-003-4501	09 14 003 4501	H	3 Position Male/Female Pneumatic Module	4.25	4.02	3.87
<b>Contacts - Without Shut Off</b>						
617-09-14-000-6151	09 14 000 6151	I	Male - 1.6mm Tube internal diameter	6.80	6.10	5.78
617-09-14-000-6152	09 14 000 6152	J	Male - 3.0mm Tube internal diameter	5.74	5.17	4.87
617-09-14-000-6153	09 14 000 6153	K	Male - 4.0mm Tube internal diameter	5.80	5.22	4.93
※ 617-09-14-000-6251	09 14 000 6251	L	Female - 1.6mm Tube internal diameter	6.82	6.12	5.98
※ 617-09-14-000-6252	09 14 000 6252	M	Female - 3.0mm Tube internal diameter	5.86	5.27	4.97
※ 617-09-14-000-6253	09 14 000 6253	N	Female - 4.0mm Tube internal diameter	5.74	5.17	4.88

## MODULES

- Male insert with additional protection collar
- PolORIZATION of module
- DIN VDE 0627, DIN VDE 0110, DIN EN 61 984
- Axial screw terminations recommended
- VDE 0295 Type 5 fine strand wire
- RoHS Compliant per HARTING documentation



### Axial Screw Modules

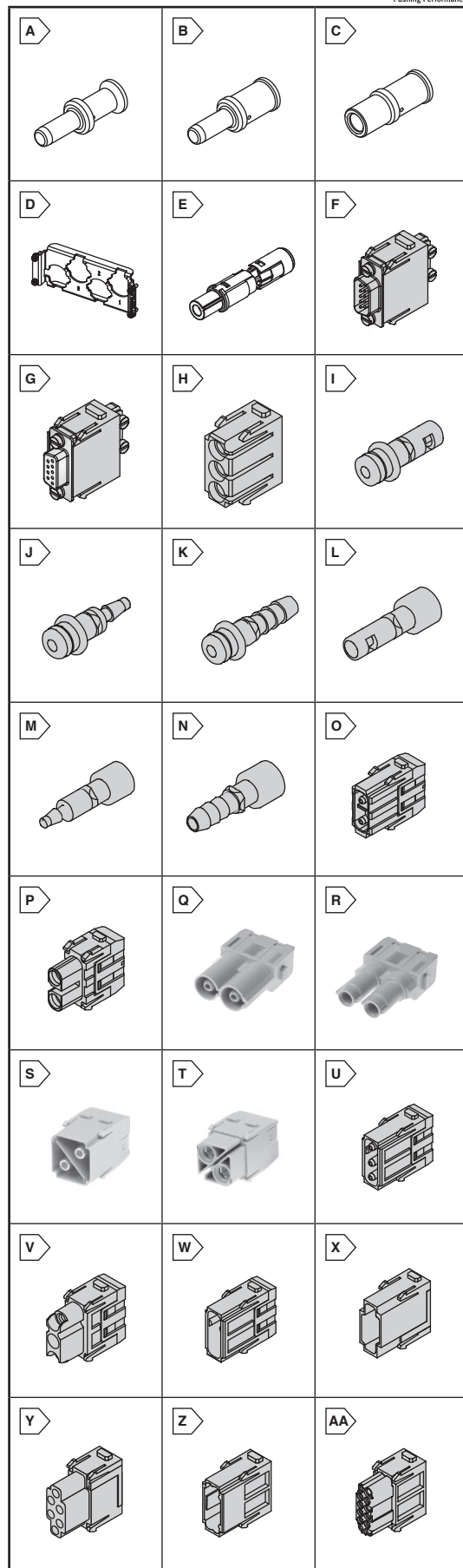
For quantities greater than listed, call for quote.

MOUSER STOCK NO.	HARTING Part No.	Fig.	No. of Positions	Insert Type	Contact Type*	AWG	Contact Rating	Price Each		
								1	10	25
<b>Han® Axial Screw Module 40</b>										
617-09-14-002-2601	09 14 002 2601	O	2	Male	Axial Screw	14-8	40A/1000V	17.33	15.99	14.85
617-09-14-002-2701	09 14 002 2701	P	2	Female	Axial Screw	14-8	40A/1000V	20.64	19.99	18.90
<b>Han® Axial Screw Module 70</b>										
617-09140022641	09 14 002 2641	Q	2	Male	Axial Screw	8-4	70A/1000V	42.62	34.87	32.52
617-09140022741	09 14 002 2741	R	2	Female	Axial Screw	8-4	70A/1000V	42.62	34.87	32.51
617-09140022642	09 14 002 2642	Q	2	Male	Axial Screw	8-4	70A/1000V	42.62	34.87	32.51
617-09140022742	09 14 002 2742	R	2	Female	Axial Screw	8-4	70A/1000V	41.38	33.85	31.56
<b>Han® Axial Screw Module 100</b>										
617-09-14-002-2651	09 14 002 2651	S	2	Male	Axial Screw	5-1 1/2	100A/1000V	45.74	41.16	38.87
617-09-14-002-2751	09 14 002 2751	T	2	Female	Axial Screw	5-1 1/2	100A/1000V	55.88	50.28	47.48
<b>Han® C Axial Screw Modules</b>										
617-09-14-003-2601	09 14 003 2601	U	3	Male	Axial Screw	14-8	40A/690V	21.84	19.64	18.55
617-09-14-003-2701	09 14 003 2701	V	3	Female	Axial Screw	14-8	40A/690V	25.86	23.26	21.98

### Crimp Modules

※ Crimp contact sold separately

<b>Han® C Modules</b>										
MOUSER STOCK NO.	HARTING Part No.	Fig.	No. of Positions	Insert Type	Contact Type*	AWG	Contact Rating	1	10	25
617-09-14-003-3001	09 14 003 3001	W	3	Male	Crimp	16-10	40A/400/690V	6.26	5.63	5.32
617-09-14-003-3101	09 14 003 3101	V	3	Female	Crimp	16-10	40A/400/690V	6.26	5.63	5.32
<b>Han® E Modules</b>										
617-09-14-006-3001	09 14 006 3001	X	6	Male	Crimp	26-12	16A/600V	8.09	7.29	6.88
617-09-14-006-3101	09 14 006 3101	Y	6	Female	Crimp	26-12	16A/600V	7.62	6.86	6.47
<b>Han® DD Modules</b>										
617-09-14-012-3001	09 14 012 3001	Z	12	Male	Crimp	26-14	10A/250V	4.00	3.59	3.39
617-09-14-012-3101	09 14 012 3101	AA	12	Female	Crimp	26-14	10A/250V	3.98	3.58	3.38



Power Connectors HARTING