

TE Z-Pack Connectors



Products may be RoHS compliant. Check mouser.com for RoHS status.

Z-PACK HM-ZD PLUS CONNECTORS

Features:

- 15 - 20Gb/s performance
- Fully plug compatible with current Z-PACK HM-Zd backplane connector configurations
- Connector upgrade including reduced crosstalk and skew, tighter impedance control, and improved signal throughput
- Ideal for next generation AdvancedTCA designs
- PCB footprint enhanced for lower crosstalk and improved impedance while permitting easier trace routing



For quantities greater than listed, call for quote.

MOUSER STOCK NO.	TE Part No.	Fig.	Description	Price Each			
				1	25	100	250
571-2065769-1	2065769-1	A	Receptacle Assembly, 2 Pair	15.52	14.29	13.50	12.45
571-2065657-1	2065657-1	A	Receptacle Assembly, 4 Pair	20.24	19.12	18.05	17.70

Z-PACK HM-ZD

- Designed for high speed differential applications
- Modular connector system with a standard module size of 25mm
- 4 signal contact pairs per column compatible with 8 row HM
- Contact pitch is 1.55mm within a pair; 3.0mm pair to pair
- Column to column pitch is 2.5mm
- Card pitch is 1.0" for 40 pair headers

For quantities greater than listed, call for quote.

MOUSER STOCK NO.	TE Part No.	Fig.	Description	Price Each			
				1	5	10	25
571-6469001-1	6469001-1	B	Receptacle Assembly, 40 pair	28.13	26.18	25.60	24.05
571-6469002-1	6469002-1	C	Header Assembly, 40 pair	12.76	11.48	10.69	9.75

Z-PACK 2MM FB (FUTUREBUS+) CONNECTORS

- High density connections: 4 row, 2mm x 2mm circuit grid
- Compatible to IEC67076-4-0X(48B) and EIA SP3179
- Current Rating: Signal Contacts: 1A, Power Contacts: 4.6A
- Bellcore approved

For quantities greater than listed, call for quote.

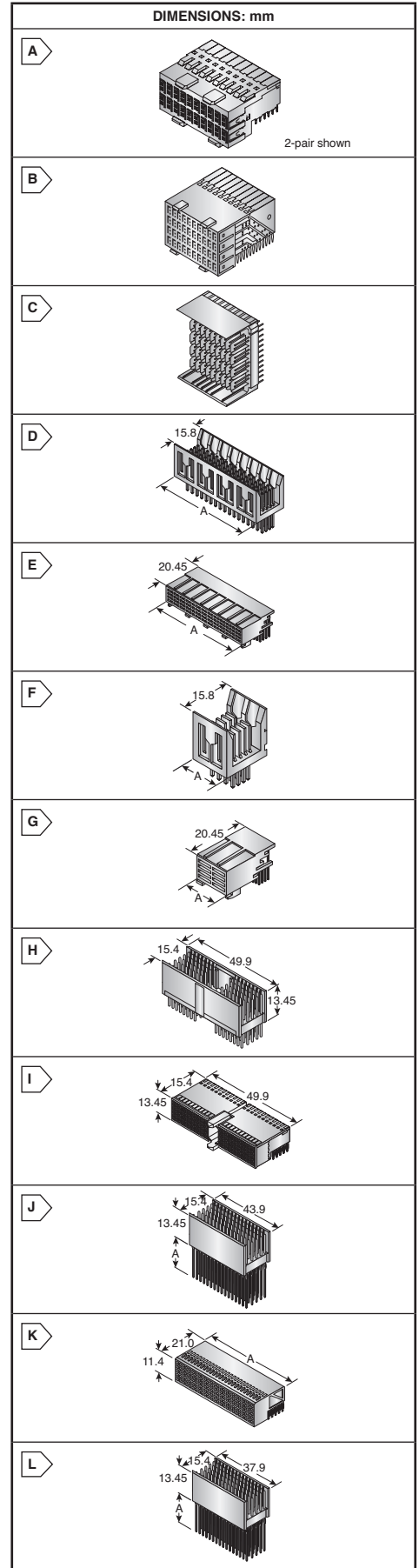
MOUSER STOCK NO.	TE Part No.	Fig.	No. of Pos.	Lead Type	Lead Length (mm)	Dim. A (mm)	Price Each			
							1	25	50	100
Signal Module, Vertical Pin										
571-5536501-1	5536501-1	D	24	Solder	4.25	11.88	3.66	3.36	3.06	2.75
571-5536501-2	5536501-2	D	48	Solder	4.25	23.88	5.85	5.25	4.68	4.19
571-5536501-3	5536501-3	D	96	Solder	4.25	47.88	10.98	10.30	9.63	8.56
571-5536501-4	5536501-4	D	192	Solder	4.25	95.88	16.71	15.18	13.60	11.37
571-5536504-2	5536504-2	D	48	Press-Fit	4.25	23.88	5.98	5.37	4.77	4.28
571-5536504-3	5536504-3	D	96	Press-Fit	4.25	47.88	16.89	13.27	12.49	12.08
571-5536504-4	5536504-4	D	192	Press-Fit	4.25	95.88	17.63	14.67	14.11	12.64
Signal Module, Right Angle Receptacle										
571-5536507-1	5536507-1	E	24	Solder	2.73	11.88	3.23	2.83	2.70	2.58
571-5536507-2	5536507-2	E	48	Solder	2.73	23.88	4.98	4.51	3.86	3.19
571-5536507-3	5536507-3	E	96	Solder	2.73	47.88	10.93	9.50	9.02	8.78
571-5536507-6	5536507-6	E	120	Solder	2.73	59.88	19.24	17.42	15.42	12.34
571-5536507-4	5536507-4	E	192	Solder	2.73	95.88	16.49	14.11	13.53	10.60
571-5536510-3	5536510-3	E	96	Solder	3.53	47.88	10.19	9.22	8.33	6.53
571-5536510-4	5536510-4	E	192	Solder	3.53	95.88	16.81	15.21	13.86	10.76
Power Module, Vertical Pin										
571-5536600-1	5536600-1	F	8	Solder	4.25	11.83	7.01	6.13	5.84	5.54
571-5536603-1	5536603-1	F	8	Press-Fit	4.25	11.83	4.53	4.37	4.20	4.04
Power Module, Right Angle Receptacle										
571-5536607-1	5536607-1	G	8	Solder	2.73	11.88	6.23	5.47	5.22	4.98
571-5536614-1	5536614-1	G	8	Press-Fit	3.56	11.88	7.29	6.60	5.32	4.66

Z-PACK 2MM HM CONNECTORS FOR COMPACT PCI

- High density system with small real estate on backplane and daughter card
- In accordance with IEC 917 and IEC 61076-4-101
- Universal Power Module rated at 7.8A/line, 23.4A fully energized
- Signal Contact Rating: 1.5A fully energized
- 5 + 2 Row Configuration

For quantities greater than listed, call for quote.

MOUSER STOCK NO.	TE Part No.	Fig.	Description	Dim. A (mm)	Price Each			
					1	25	50	100
571-5188834-1	5188834-1	H	110P Type A Vertical Male; Feed-To	-	12.29	10.15	9.85	8.78
571-51005256	5-100525-6	-	3.3V Key for 110P Type A Male	-	.56	.51	.472	.361
571-31005252	3-100525-2	-	5V Key for 110P Type A Male	-	.66	.59	.53	.421
571-5352068-1	5352068-1	I	110P Type A Right Angle Female	-	14.43	12.79	11.80	11.15
571-51005266	5-100526-6	-	3.3V Key for 110P Type A Female	-	.70	.614	.56	.49
571-31005262	3-100526-2	-	5V Key for 110P Type A Female	-	.62	.562	.509	.418
571-5188835-1	5188835-1	J	110P Type B Vertical Male; Feed-To	3.7	10.02	9.01	8.00	7.17
571-5352128-1	5352128-1	J	110P Type B Vertical Male; Feed-Thru	14.5/16.0	17.11	15.39	13.67	12.25
571-5352152-1	5352152-1	K	125P Type B Right Angle Female; 22 Col.	49.9	13.60	12.05	11.12	10.50
571-5352171-1	5352171-1	K	125P Type B Right Angle Female; 19 Col.	37.9	12.26	11.95	11.03	10.42
571-5352033-1	5352033-1	L	95P Type B Vertical Male; Feed-To	3.7	7.87	6.88	6.56	6.23
571-5352127-1	5352127-1	L	95P Type B Vertical Male; Feed-Thru	14.5/16.0	12.41	11.17	9.92	8.89



TE Connectivity Backplane/Card Edge