

# MOLEX Card Edge Connectors

**molex**  
one company a world of innovation

## PCI EXPRESS™ MINICARD CONNECTOR

RoHS Compliant **This product is RoHS compliant.**

### Features:

- Meets PCI Express® Mini Card Electromechanical Specification Revision 1.2
- Low profile (Low mounted height)
- Polarization key

### Specifications:

- Voltage (max.): 50VAC
- Current (max.): 0.5A
- Housing: LCP, 35% Glass-filled, UL94-V0, Black
- Withstanding Voltage: 300VAC

### Applications:

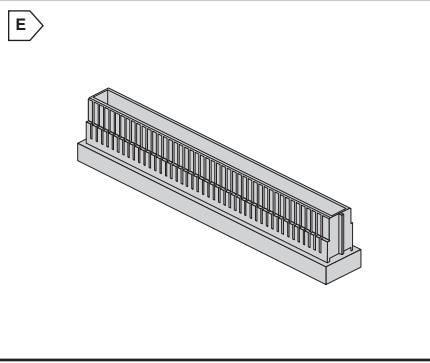
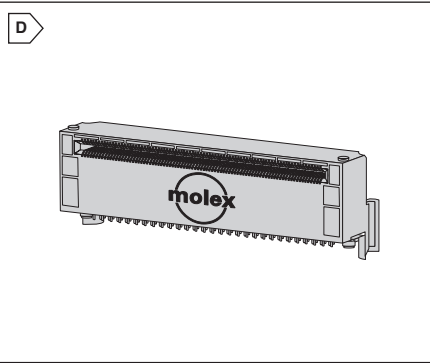
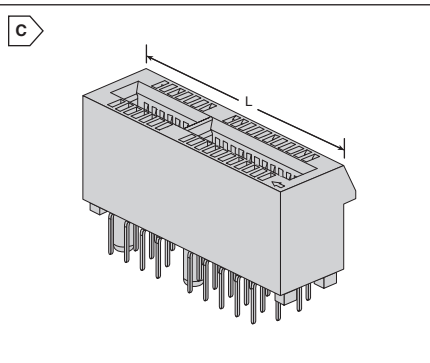
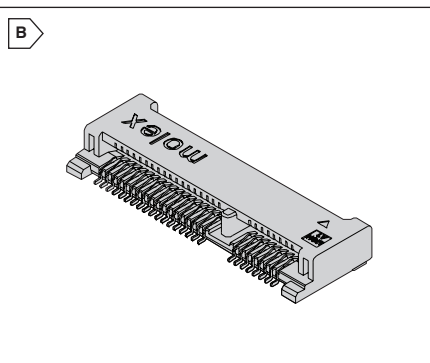
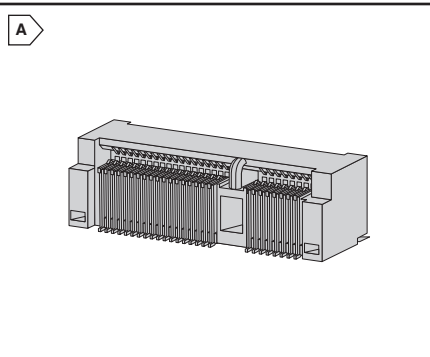
- Notebook
- Wireless Adapters
- Bluetooth interfaces
- Ethernet Adapters
- Modems
- High-speed Network Interfaces



RoHS Compliant

For quantities greater than listed, call for quote.

MOUSER STOCK NO.	Molex Part No.	Fig.	Description	Circuits	Pitch mm (in.)	Height mm (in.)	Price Each		
							1	10	100
538-48338-0040	48338-0040	A	Right Angle, SMT with pegs	52	0.80 (.031)	4.00 (.157)	1.43	1.30	1.24
538-48338-0052	48338-0052	A	Right Angle, SMT with pegs	52	0.80 (.031)	5.20 (.220)	1.43	1.30	1.24
538-48338-0056	48338-0056	A	Right Angle, SMT with pegs	52	0.80 (.031)	5.60 (.220)	1.43	1.30	1.24
538-48338-0057	48338-0057	A	Right Angle, SMT with pegs	52	0.80 (.031)	5.75 (.226)	1.46	1.33	1.27
538-48338-0065	48338-0065	A	Right Angle, SMT with pegs	52	0.80 (.031)	6.50 (.256)	1.61	1.46	1.39
538-48338-0068	48338-0068	A	Right Angle, SMT with pegs	52	0.80 (.031)	6.80 (.268)	1.61	1.46	1.28
538-48338-0070	48338-0070	A	Right Angle, SMT with pegs	52	0.80 (.031)	7.00 (.276)	1.61	1.46	1.28
538-48338-0075	48338-0075	A	Right Angle, SMT with pegs	52	0.80 (.031)	7.50 (.295)	2.23	2.01	1.28
538-48338-0080	48338-0080	A	Right Angle, SMT with pegs	52	0.80 (.031)	8.00 (.315)	2.28	2.06	1.62
538-48338-0085	48338-0085	A	Right Angle, SMT with pegs	52	0.80 (.031)	8.50 (.335)	2.28	2.06	1.31
538-48338-0099	48338-0099	A	Right Angle, SMT with pegs	52	0.80 (.031)	9.90 (.390)	2.34	2.10	1.34
538-67910-5700	67910-5700	B	Right Angle, SMT	52	0.80 (.031)	5.75 (.226)	4.08	3.52	3.13



Molex Backplane/Card Edge

## PCI EXPRESS™ CARDEDGE CONNECTORS

### Features:

- Complies with the PCI SIG spec
- Supports 2.5Gbps data transfer rate
- Scalable modular design
- Enables hot plug and hot swap
- Lead Free
- Top Entry

### Specifications:

- Pitch: 1.00mm (.039")
- Current: 1.1A
- Voltage: 50V
- Housing Material: Nylon 4/6, glass-filled, UL94V-0
- Color: Black
- Contact: Phosphor Bronze



RoHS Compliant

For quantities greater than listed, call for quote.

MOUSER STOCK NO.	Molex Part No.	Fig.	Description	Circuits	Dimen. L (mm)	Tail Length	Price Each			
							1	10	25	50
<b>15µ" Gold Contact Plating</b>										
538-87715-9005	87715-9005	C	Vertical, Thru-hole with plastic pegs	36	25	3.0mm	1.75	1.48	1.30	1.23
538-87715-9105	87715-9105	C	Vertical, Thru-hole with plastic pegs	64	39	3.0mm	2.24	1.90	1.84	1.58
538-87715-9205	87715-9205	C	Vertical, Thru-hole with plastic pegs	98	56	3.0mm	3.46	2.86	2.44	2.38
538-87715-9305	87715-9305	C	Vertical, Thru-hole with plastic pegs	164	89	3.0mm	5.05	4.18	3.94	3.48
<b>30µ" Gold Contact Plating</b>										
538-87715-9006	87715-9006	C	Vertical, Thru-hole with plastic pegs	36	25	2.54mm	1.54	1.36	1.35	1.13
538-87715-9106	87715-9106	C	Vertical, Thru-hole with plastic pegs	64	39	2.54mm	2.38	1.98	1.84	1.65
538-87715-9206	87715-9206	C	Vertical, Thru-hole with plastic pegs	98	56	2.54mm	3.45	2.86	2.76	2.38
538-87715-9306	87715-9306	C	Vertical, Thru-hole with plastic pegs	164	89	2.54mm	5.05	4.18	4.05	3.48

## .75MM AMC B+ CONNECTORS

### Features:

- Transmission Speed: up to 10Gbps
- Meets PICMG AMC.0 Rev 1 spec

### Specifications:

- Voltage: 30V
- Current: 0.5A max.
- Mating PCB Thickness: 2.40mm (.093")
- Housing: High Temp Thermoplastic



RoHS Compliant

For quantities greater than listed, call for quote.

MOUSER STOCK NO.	Molex Part No.	Fig.	Number of Circuits	Termination Style	Contact Area Plating	PC Tail Plating	Height	Price Each			
								1	10	25	100
538-75800-0001	75800-0001	D	170	Press-Fit	Gold	Tin	21.85mm	68.22	56.81	54.73	53.05

## .75MM MICROTCA CONNECTORS

### Features:

- Transmission Speed: up to 12.5Gbps
- Stitched contact design

### Specifications:

- Mating PCB Thickness: 1.57mm (.062")
- Housing: Glass Filled Thermoplastic
- Current: 1.5A max.
- Voltage: 250VAC max.



RoHS Compliant

For quantities greater than listed, call for quote.

MOUSER STOCK NO.	Molex Part No.	Fig.	Number of Circuits	Termination Style	Contact Area Plating	PC Tail Plating	Height	Price Each			
								1	10	25	100
538-75594-0000	75594-0000	E	170	Press-Fit	Gold	Tin	12.31mm	25.52	24.24	22.23	20.08