

HARTING DIN 41612 Connectors



Pushing Performance

CONTACTS FOR 2A DIN 41612 SIGNAL CONNECTORS

To be used with HARTING 2 Amp DIN 41612 Signal Connectors on previous page.

Individual Crimp Contacts for Use with Type B and C Cable Mount Versions

For quantities greater than listed, call for quote.

MOUSER STOCK NO.	HARTING Part No.	Description	Price Each		
			1	10	25
617-09-02-000-8474	09 02 000 8474	For female connectors type B and C (BC1) - 28-20AWG	.39	.35	.35
Performance Level 1 Plating (acc to DIN 41612, Part 5)					
617-09-02-000-8484	09 02 000 8484	For female connectors type B and C (BC1) - 28-20AWG	.33	.30	.29

Coaxial Contacts for Type M Connectors

For quantities greater than listed, call for quote.

MOUSER STOCK NO.	HARTING Part No.	Description	Price Each		
			1	10	25
617-09-03-000-6262	09 03 000 6262	Female 50ohms for male connectors angled for pcb termination	10.63	9.83	9.30
617-09-03-000-6260	09 03 000 6260	Female 50ohms for male connectors for straight solder/crimp termination	13.24	12.24	11.59
617-09-03-000-6160	09 03 000 6160	Male 50ohms for female connectors for straight solder/crimp termination	9.47	8.74	8.28

High Current Contacts for Type M Connectors

For quantities greater than listed, call for quote.

MOUSER STOCK NO.	HARTING Part No.	Description	Price Each		
			1	10	25
617-09-03-000-6202	09 03 000 6202	Female contacts for female connectors- 20A for straight solder termination	5.02	4.64	4.38
617-09-03-000-6203	09 03 000 6203	Female contacts for female connectors- 40A for straight solder termination	4.57	4.22	3.99

Tools

For quantities greater than listed, call for quote.

MOUSER STOCK NO.	HARTING Part No.	Description	Price Each
617-09-99-000-0194	09 99 000 0194	Crimp Tool For Coax Contacts	463.29
617-09-99-000-0196	09 99 000 0196	Crimp Tool For High Current Contacts	1023.94

DIN 41612 POWER CONNECTORS - 6A

- Pitch: 5.09mm
- Current rating: 6A
- Temperature Range: -55°C to +125°C
- Contact Plating: Performance Level 2 plating (acc to DIN41612, part 5)
- Termination zone tinned

- Contact resistance: ≤ 15mΩ for wire wrap and solder connections
- Contact resistance: ≤ 20mΩ for including crimp connections
- Moldings: Thermoplastic resin, glass fiber filled - UL94V-0
- Contacts: Copper Alloy



2 Row Type D

For quantities greater than listed, call for quote.

MOUSER STOCK NO.	HARTING Part No.	No. of Contacts	Rows Loaded	Style	Termination Type	Pin Length (mm)	Price Each		
							1	10	25
Male									
617-09-04-132-6921	09 04 132 6921	32	a, c	Right-Angle	Solder Pins	3.0	3.65	3.37	3.19
Female									
617-09-04-232-6821	09 04 232 6821	32	a, c	Straight	Wire Wrap Pins	20.0	7.30	6.74	6.38
617-09-04-232-6831	09 04 232 6831	32	a, c	Straight	Solder Pins	4.0	9.43	9.05	8.58
617-09-04-232-6826	09 04 232 6826	32	a, c	Right-Angle	Solder Pins	3.0	13.16	12.17	11.51

◆ Order fixing bracket 09 06 000 9912 separately

3 Row Type E

For quantities greater than listed, call for quote.

MOUSER STOCK NO.	HARTING Part No.	No. of Contacts	Rows Loaded	Style	Termination Type	Pin Length (mm)	Price Each		
							1	10	25
Male									
617-09-05-148-6921	09 05 148 6921	48	a, c, e	Right-Angle	Solder Pins	3.0	8.95	8.27	7.84
Female									
617-09-05-248-6831	09 05 248 6831	48	a, c, e	Straight	Solder Pins	4.0	10.98	10.15	9.60
* 617-09-05-048-3202	09 05 048 3202	48	-	Cable Mount	Crimp Pins	-	3.43	3.16	2.99

*:Order contacts separately

3 Row Type F

For quantities greater than listed, call for quote.

MOUSER STOCK NO.	HARTING Part No.	No. of Contacts	Rows Loaded	Style	Termination Type	Pin Length (mm)	Price Each		
							1	10	25
Male									
617-09-06-132-6931	09 06 132 6931	32	z, d	Right-Angle	Solder Pins	3.0	3.90	3.60	3.40
617-09-06-148-6901	09 06 148 6901	48	z, b, d	Right-Angle	Solder Pins	3.0	5.40	4.99	4.72
Female									
617-09-06-248-6832	09 06 248 6832	48	z, b, d	Straight	Press-In Pins	5.5	12.56	11.61	10.99
† 617-09-06-248-6834	09 06 248 6834	48	z, b, d	Straight	Solder Pins	4.5	8.27	7.65	7.24
617-09-06-248-6835	09 06 248 6835	48	z, b, d	Straight	Solder Pins	4.5	7.91	7.32	6.92
* 617-09-06-248-3201	09 06 248 3201	48	-	Cable Mount	Crimp Pins	-	1.34	1.23	1.18

*:Order contacts separately † Lower profile version

3 Row Interface Connector I-Complementary to Type F

For quantities greater than listed, call for quote.

MOUSER STOCK NO.	HARTING Part No.	No. of Contacts	Rows Loaded	Style	Termination Type	Pin Length (mm)	Price Each		
							1	10	25
Male									
617-09-06-048-2905	09 06 048 2905	48	z, b, d	Straight	Solder Pins	3.5	24.01	22.20	21.01
Female									
* 617-09-06-048-2906	09 06 048 2906	48	z, b, d	Cable Mount	Crimp Pins	-	29.02	26.84	25.39

*:Order contacts separately

TYPE FC CRIMP CONTACTS FOR 6A DIN 41612 POWER CONNECTORS

- For 6 A Power Connector types D, E, and F

- Individual crimp contacts

For quantities greater than listed, call for quote.

MOUSER STOCK NO.	HARTING Part No.	Description	Price Each		
			1	10	25
617-09-06-000-8481	09 06 000 8481	For female connectors type D, E and F - 26-20 AWG (FC2)	.39	.358	.348
617-09-06-000-8482	09 06 000 8482	For female connectors type D, E and F - 20-16 AWG (FC3)	.39	.35	.35
Performance Level 1 Plating (acc to DIN 41612, Part 5)					
617-09-06-000-8471	09 06 000 8471	For female connectors type D, E and F - 26-20 AWG (FC2)	.39	.36	.34
617-09-06-000-8472	09 06 000 8472	For female connectors type D, E and F - 20-16 AWG (FC3)	.39	.36	.34

© Copyright 2012 Mouser Electronics



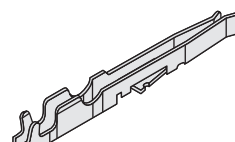
(800) 346-6873

© Copyright 2012 Mouser Electronics

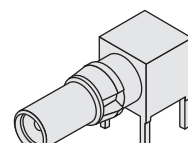
1547

mouser.com/harting

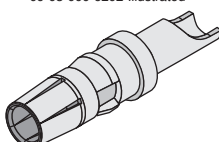
Type BC
09 02 000 8474 Illustrated



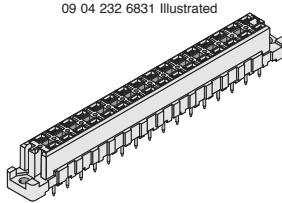
Type M
09 03 000 6262 Illustrated



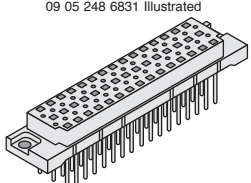
Type M High Current
09 03 000 6202 Illustrated



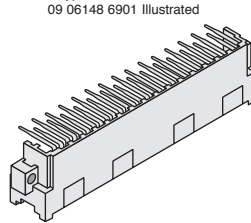
2 Row Type D Female with Solder Pins
09 04 232 6831 Illustrated



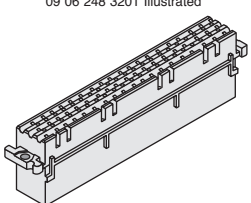
3 Row Type E Female with Solder Pins
09 05 248 6831 Illustrated



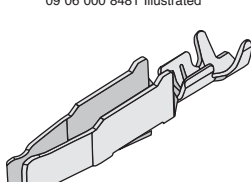
3 Row Type F Male with Solder Pins
09 06 148 6901 Illustrated



3 Row Type F Cable Mount Female
09 06 248 3201 Illustrated



Type FC Contact
09 06 000 8481 Illustrated



Backplane/Card Edge

HARTING