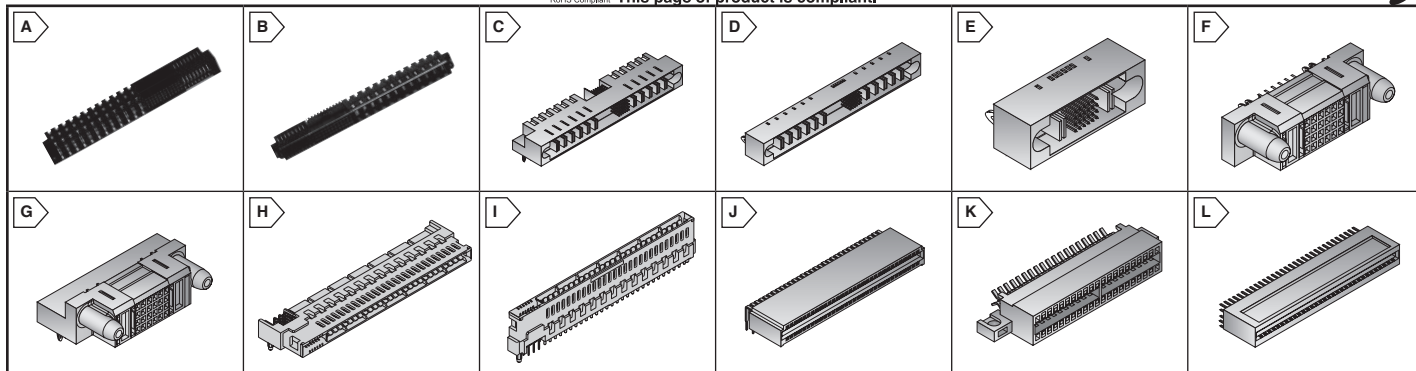


FCI Card Edge Connectors



This page of product is compliant.



PWRBLADE+™ CONNECTOR SYSTEM



Features:

- Enhanced power contact design for increased linear current density
- For next generation 1U and 2U pluggable power supplies with higher current density requirements

Specifications:

- Modular tooling design with capability for many combinations of high and low power contacts as well as signal contacts for power control

For quantities greater than listed, call for quote.

MOUSER STOCK NO.	FCI Part No.	Fig.	Description	Orientation	Price Each			
					1	25	100	250
649-1010612440401LF	10106124-4004001LF	A	2P+16S+2P Header	Right Angle	9.48	8.72	7.96	7.46
649-10106132A0801LF	10106132-A008001LF	A	10HDP+32S Header	Right Angle	16.58	13.50	12.37	12.37
649-1010612640401LF	10106126-4004001LF	B	2P+16S+2P Receptacle	Right Angle	7.42	6.82	6.22	5.83
649-10106139A0801LF	10106139-A008001LF	B	10HDP+32S Receptacle	Vertical	16.50	14.35	10.23	10.16

PWRBLADE® CONNECTORS

Features:

- Provides contacts for power distributions and power control
- Capability for up to 20 power contacts and 148 signal contacts in up to 8"

- Options for solder or press-fit termination
- RoHS Compliant per FCI documentation

Specifications:

- Housing: Glass-filled high temperature nylons

For quantities greater than listed, call for quote.

MOUSER STOCK NO.	FCI Part No.	Fig.	Description	Orientation	Price Each			
					1	25	100	250
649-51624-XX001LF	51624-XX001LF	C	5P+24S+1M+6P, Header	Right Angle	8.27	7.09	6.35	6.25
649-51860-001LF	51860-001LF	D	5P+24S+1M+6P, Header	Vertical	23.51	19.49	13.98	13.67
649-51952-001LF	51952-001LF	E	1P+24S+1P, Header	Vertical	5.58	4.22	3.79	3.69
649-51952-002LF	51952-002LF	E	1P+24S+1P, Header	Vertical	9.69	8.63	8.09	7.07
649-51666-001LF	51666-001LF	F	1P+24S+1P, Receptacle	Vertical	4.60	3.58	3.21	3.12
649-51416-001LF	51416-001LF	G	1P+24S+1P, Receptacle	Right Angle	4.78	3.77	3.26	3.20
649-51741-102406CCLF	51741-10002406CCLF	-	6P+24S, Receptacle	Vertical	5.63	4.69	4.08	4.00
649-51761-12406AALF	51761-10002406AALF	-	6P+24S, Receptacle	Right Angle	8.32	7.65	6.98	5.13
649-51762-104024ABLF	51762-10402400ABLF	-	4P+24S Receptacle	Right Angle	6.84	6.28	5.28	4.66
649-51866-025LF	51866-025LF	-	9P+24S, Receptacle	Right Angle	7.49	7.01	5.25	5.09
649-51915-176LF	51915-176LF	-	12P+24S, Receptacle	Right Angle	9.99	9.18	6.79	6.63
649-51915-050LF	51915-050LF	-	3ACP+5P+24S Receptacle	Right Angle	7.38	6.76	5.70	5.03

HIGH POWER CARD EDGE (HPCE™) CONNECTORS

Features:

- Current rating to 9A/power contact beam (with multiple power contacts fully energized) without exceeding a 30°C temperature rise in still air
- Low profile height (2.8mm for straddle mount; 7.50mm for right angle) maximizes airflow for effective system cooling
- One-piece assembly enables cost-effective power delivery for 1U and 2U power supplies or power distribution applications
- Highly vented housing design maximizes heat dissipation
- Vertical, right angle and straddle mount options are available with both power contacts for power distribution and signal contacts for power control
- Number and placement of power and signal contacts are highly configurable for custom power needs
- Polarized housing option ensures proper mating board orientation
- Plastic housing features and mounting ear options are available for polarization to the host PCB as well as to secure the connector during the wave solder process
- Robust design includes touch-proof safety features that are UL/IEC 60950 compliant
- Solder or press-fit tails are available on the vertical option for termination flexibility

For quantities greater than listed, call for quote.

MOUSER STOCK NO.	FCI Part No.	Fig.	Description	Orientation	Price Each			
					1	25	100	250
649-10088418-002LF	10088418-002LF	H	56P+12S Receptacle	Vertical	10.90	10.02	7.42	7.26
649-10096926-004LF	10096926-004LF	I	56P+12S Receptacle	Right Angle	14.53	13.36	12.19	8.33

POWER CARD EDGE

Features:

- One piece card edge design provides cost-effective power delivery with capacity for up to 7A per power contact
- RoHS Compliant per FCI documentation

Specifications:

- Housing: High temperature thermoplastic UL94V-0
- Current Rating: 7A

For quantities greater than listed, call for quote.

MOUSER STOCK NO.	FCI Part No.	Fig.	No. of Pos.	Orientation	Tail Plating	Price Each			
						1	25	100	250
649-10035388-500LF	10035388-500LF	J	56	Right Angle	100 μ" pure matte Tin	11.71	9.07	8.19	7.26
649-10053363-200LF	10053363-200LF	J	64	Right Angle	100 μ" pure matte Tin	7.37	5.43	5.02	4.85
649-10034908-001LF	10034908-001LF	K	38	Straddle Mount	100 μ" pure matte Tin	5.83	4.72	4.44	4.40

MICROTCA™ CARD EDGE CONNECTORS

Features:

- 170 position card edge interface with 0.75mm contact pitch
- RoHS Compliant per FCI documentation

Specifications:

- Housing: High temperatures thermoplastic, UL94V-0
- Current rating: 1.0A/contact maximum

For quantities greater than listed, call for quote.

MOUSER STOCK NO.	FCI Part No.	Fig.	No. of Positions	Mounting Style	Color	Orientation	Price Each			
							1	25	100	250
649-10058831-110LF	10058831-110LF	L	170	Press-fit	Black	Vertical	15.10	14.94	13.53	13.27