

3M™ Hard Metric, Card Edge, Compact Flash & DIN Connectors

RoHS Compliant This product is RoHS compliant.

DIN 41612 CONNECTORS

For quantities greater than listed, call for quote.

MOUSER STOCK NO.	3M Part No.	No. of Contacts	Rows loaded	Type	Style	Termination type	Price Each		
							1	25	50
517-7064-50B2TH	7064-50B2TH	64	a & b	b - header	r/a	through hole	4.10	3.78	3.47
517-7064-60B3TH	7064-60B3TH	64	a & b	q - header	straight	solder	8.13	7.49	7.09
517-DIN064CPBSR1HM	DIN-064CPB-SR1-HM	64	a & c	c - header	r/a	solder	2.73	1.96	1.87
517-DIN096CPCRR1HM	DIN-096CPC-RR1-HM	96	a b & c	c - header	r/a	solder	3.96	2.84	2.71
517-DIN096CPCSR1HM	DIN-096CPC-SR1-HM	96	a b & c	c - header	r/a	solder	3.92	2.80	2.64
517-DIN096CSCS1LHM	DIN-096CSC-S1L-HM	96	a b & c	c - socket	straight	solder	5.08	3.65	3.48

SPD08 HIGH-SPEED CARD EDGE CONNECTORS

- Card-edge high-speed board-to-board connector
- Supports flexible stacking height (16-40mm) mezzanine applications using a riser card
- Controlled impedance, crosstalk limiting contact design supports speeds up to 15Gbps

- Available with optional latches for robust mechanical stability
- 0.5A current rating per contact
- Supports XAU1, PCI express (Gen 1/2/3), SATA and other application speeds



For quantities greater than listed, call for quote.

MOUSER STOCK NO.	3M Part No.	Fig.	Description	Price Each			
				1	10	25	50
517-SPD08-080-RB-TR	SPD08-080-RB-TR	A	80P, 0.8mm Pitch, SMT, without Latch	8.32	7.40	6.66	6.05
517-SPD08-080-LB-TR	SPD08-080-LB-TR	B	80P, 0.8mm Pitch, SMT, with Latch	9.68	8.60	7.74	7.03

UHM (ULTRA HARD METRIC) 2MM BACKPLANE CONNECTOR

Press Fit Socket

Features:

- 7+ Gbps data rates when mated to standard IEC 61076-4-101 headers
- Low crosstalk at high frequencies
- 50/100Ω (single-ended/differential) impedance
- Named as the PICMG230 standard for J2 connectors
- Modular/scalable format IEC 61076-4-101
- 63 mated lines per linear inch
- Dual beam contact construction for high reliability

For quantities greater than listed, call for quote.

MOUSER STOCK NO.	3M Part No.	Fig.	No. of Contacts	Type	Orientation	Price Each			
						1	5	10	25
517-UHMS110B35AP1TG3	UHM-S110B3-5AP1-TG30	C	110	B	Right Angle	53.53	49.15	48.35	46.12

.100" PAK 100 CARD EDGE CONNECTORS

- Reinforced card-edge resists mouth bowing for consistent contact performance
- Metal cover clips provide superior cover retention
- Bifurcated contacts provide reliable contact with PC boards
- Insulation Material: Glass filled polyester (PBT)
- Flammability: UL94V-0
- Color: Gray



For quantities greater than listed, call for quote.

MOUSER STOCK NO.	3M Part No.	Fig.	No. of Circuits	Description	Price Each			
					1	25	50	100
With Drilled Mounting Flanges								
517-3461-0000	3461-0000	D	20	Card-Edge to Flat Cable	6.65	5.60	5.15	4.98
Without Mounting Flanges								
517-3358-0001	3358-0001	E	10	Card-Edge to Flat Cable	5.10	4.30	3.95	3.83
517-3461-0001	3461-0001	E	20	Card-Edge to Flat Cable	6.65	5.60	5.15	4.98
517-3464-0001	3464-0001	E	40	Card-Edge to Flat Cable	9.42	7.93	7.29	7.06
517-3403-0001	3403-0001	E	64	Card-Edge to Flat Cable	13.15	11.07	10.18	9.86
With Slotted Mounting Flanges								
517-3461-0002	3461-0002	F	20	Card-Edge to Flat Cable	6.65	5.60	5.15	4.98
Strain Reliefs								
517-3448-54	3448-54	G	-	20 Pin Strain Relief	3.63	3.22	2.90	2.64
Pull Tabs								
517-3490-1	3490-1	H	-	For 10P card-edge connectors	.20	.18	.17	.16
517-3490-2	3490-2	H	-	For 16P and 20P card-edge connectors	.24	.21	.20	.19
517-3490-3	3490-3	H	-	For 26P card-edge connectors	.29	.24	.23	.22
Keying Plug								
517-3439-2	3439-2	-	-	Keying Plug for polarization or keying	.35	.319	.288	.26

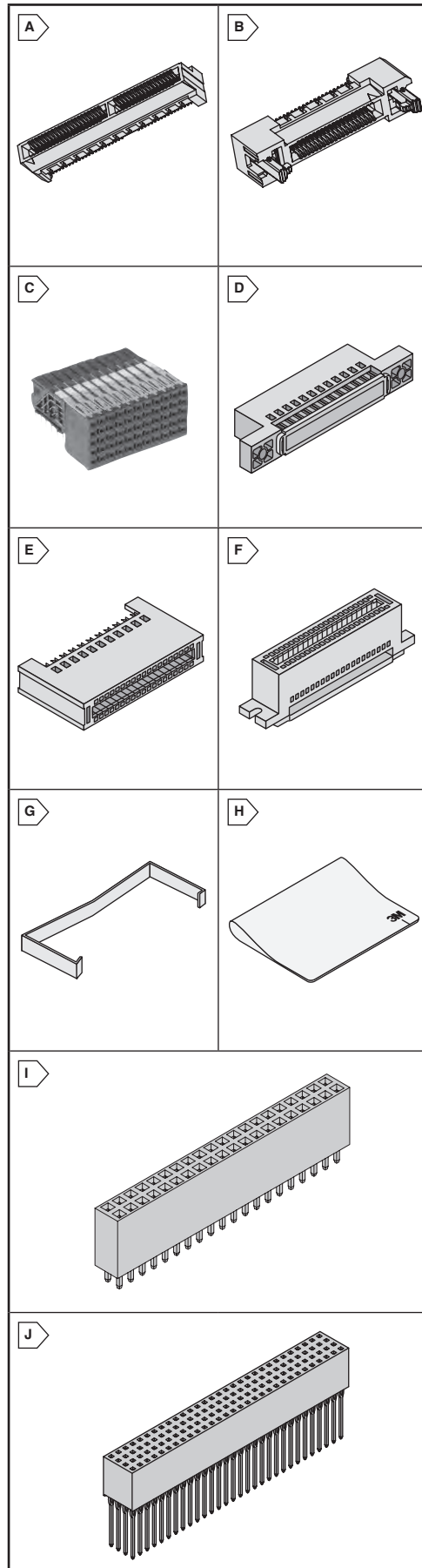
PC104/PC104+ CONNECTORS

- Standard PC104 Pin-and-socket connectors
- Rugged and reliable 64-and 40-contact male/female headers
- Simple contact design to accommodate many standoff heights
- PC104 with PCI bus support is called "PC104-Plus"



For quantities greater than listed, call for quote.

MOUSER STOCK NO.	3M Part No.	Fig.	Description	Price Each			
				1	5	10	25
PC104							
517-4P01-2A02-DA	4P01-2A02-DA	I	Non-Stack-Thru, 64-Pin, Solder Tail Mod., 11.3 to 19mm Standoff	3.45	3.40	3.35	3.30
517-4P01-2D02-DA	4P01-2D02-DA	I	Stack-Thru, 40-Pin, Solder Tail Mod., 11.3 to 19mm Standoff	5.22	4.62	4.51	4.39
517-4P02-2A02-DA	4P02-2A02-DA	I	Non-Stack-Thru, 64-Pin, Solder Tail Mod., 11.3 to 19mm Standoff	7.02	6.25	5.54	5.27
517-4P02-2D02-DA	4P02-2D02-DA	I	Stack-Thru, 64-Pin, Solder Tail Mod., 11.3 to 19mm Standoff	8.28	7.99	7.56	7.02
PC104 Plus							
517-5P03-2012-DA	5P03-2012-DA	J	Non-Stack-Thru, 120-Pin, Solder Tail Module	11.55	10.27	9.24	8.40
517-5P03-2021-DA	5P03-2021-DA	J	Stack-Thru, 120-Pin, Press-Fit Module	14.98	13.31	11.98	10.89



Backplane/Card Edge 3M