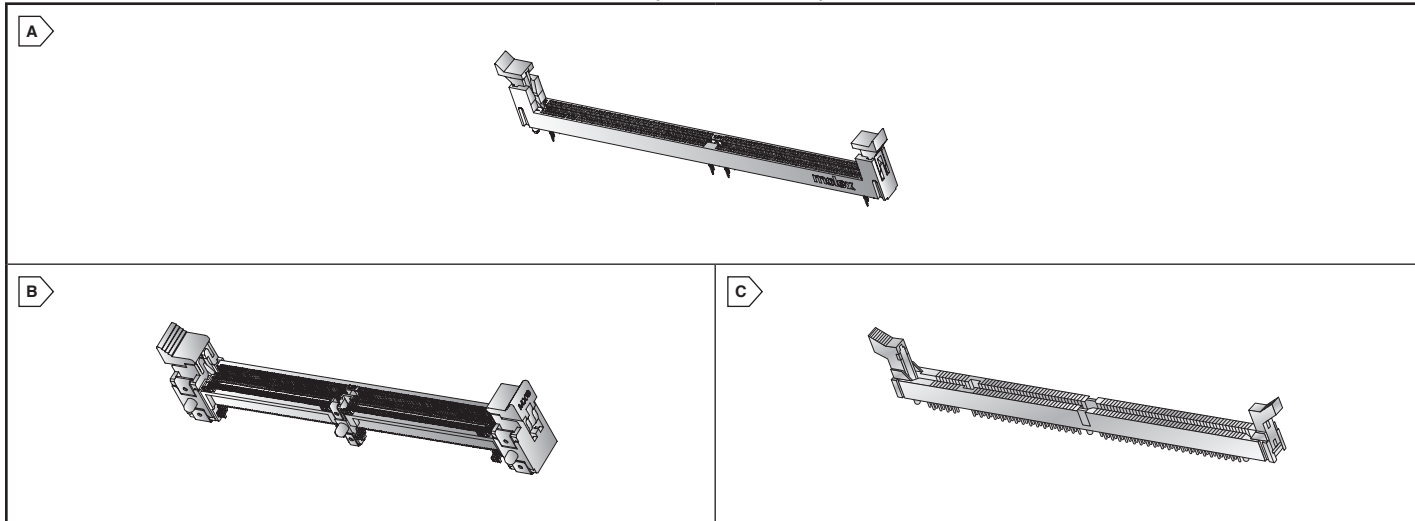


# MOLEX DIMM Sockets



This product is RoHS compliant.

**molex**  
one company • a world of innovation



## DDR3 SOCKETS

### Features:

- Data Rates: 800Mbps - 1.6Gbps
- Voltage Key: 1.5V
- Complies with all JEDEC standards



RoHS Compliant

For quantities greater than listed, call for quote.

MOUSER STOCK NO.	Molex Part No.	Fig.	Description	Contact Area Finish	Tail Length	PCB Thickness	Latch Color	Housing Color	Price Each					
									1	10	25	50		
<b>DDR3 DIMM - 1.00mm pitch - 240 circuits</b>														
<a href="#">538-78079-0001</a>	78079-0001	A	Vertical, Thru-hole, 1.5V key	15Au	2.67mm	1.57mm	Black	Black	9.54	9.24	8.72	7.94		
<a href="#">538-78321-0011</a>	78321-0011	A	Vertical, Thru-hole, 1.5V key	30Au	2.67mm	1.57mm	Black	Black	5.39	5.34	5.28	5.17		
<a href="#">538-78156-0001</a>	78156-0001	A	Vertical, SMT, 1.5V key	30Au	-	1.57mm	Black	Black	10.60	10.51	9.67	8.83		
<a href="#">538-78294-0001</a>	78294-0001	A	Vertical, Press-fit, 1.5V key	30Au	3.30mm	3.30mm	Black	Black	10.89	10.51	9.67	8.89		
<a href="#">538-78315-0001</a>	78315-0001	A	Vertical, Press-fit, 1.5V key	30Au	1.85mm	2.40mm	Black	Black	10.81	10.44	9.91	9.00		
<b>DDR3 Mini DIMM - 0.6mm pitch - 244 circuits</b>														
<a href="#">538-87782-3003</a>	87782-3003	B	Vertical, SMT, 1.5V key	30Au	-	-	Off-White	Black	27.06	26.00	24.79	22.54		
<a href="#">538-87918-0301</a>	87918-0301	B	Right angle, SMT 1.5V key	30Au	-	-	Off-White	Black	34.21	31.10	28.31	25.78		
<a href="#">538-78001-3344</a>	78001-3344	B	Reverse right angle, SMT 1.5V key	30Au	-	-	Off-White	Black	39.14	34.52	31.11	28.92		
<a href="#">538-87783-0301</a>	87783-0301	B	22.5° angle, SMT, 1.5V key	30Au	-	-	Off-White	Black	30.11	27.52	24.75	22.26		
<a href="#">538-78035-0301</a>	78035-0301	B	22.5° reverse angle, SMT, 1.5V key	30Au	-	-	Off-White	Black	29.47	26.52	23.87	21.48		

## DDR2 SOCKETS

### Features:

- Data Rates: 400Mbps - 800Mbps
- Voltage Key: 1.8V
- Complies with all JEDEC standards



RoHS Compliant

For quantities greater than listed, call for quote.

MOUSER STOCK NO.	Molex Part No.	Fig.	Description	Contact Area Finish	Tail Length	PCB Thickness	Latch Color	Housing Color	Price Each					
									1	10	25	50		
<b>DDR2 DIMM - 1.00mm pitch - 240 circuits</b>														
<a href="#">538-87705-1021</a>	87705-1021	A	Vertical, Thru-hole, 1.8V key	15Au	3.18mm	2.40mm	Beige	Black	7.04	6.37	5.88	5.32		
<a href="#">538-87705-0021</a>	87705-0021	A	Vertical, Thru-hole, 1.8V key	15Au	2.67mm	1.60mm	Beige	Black	7.08	5.99	5.81	5.17		
<a href="#">538-87978-1051</a>	87978-1051	A	Vertical, Thru-hole, 1.8V key	30Au	3.18mm	2.40mm	Black	Black	7.32	6.74	6.20	5.70		
<a href="#">538-87705-1051</a>	87705-1051	A	Vertical, Thru-hole, 1.8V key	30Au	3.18mm	2.40mm	Beige	Black	9.45	8.82	8.65	7.85		
<a href="#">538-78065-8001</a>	78065-8001	A	Vertical, Press-fit, 1.8V key	30Au	3.30mm	3.60mm	Black	Black	11.48	10.33	8.38	7.99		
<a href="#">538-87746-9011</a>	87746-9011	A	Vertical, Press-fit, 1.8V key	30Au	3.30mm	3.60mm	Beige	Black	14.13	13.63	12.95	11.77		
<a href="#">538-87746-9001</a>	87746-9001	A	Vertical, Press-fit, 1.8V key	15Au	3.30mm	3.60mm	Off-White	Black	14.08	12.79	11.54	10.63		
<a href="#">538-87966-0001</a>	87966-0001	A	Vertical, SMT, 1.8V key	30Au	-	1.60mm	Black	Black	13.17	11.92	11.02	9.96		
<a href="#">538-87803-0002</a>	87803-0002	A	25° angle, Thru-hole, 1.8V key	15Au	2.79mm	1.60mm	Off-White	Black	8.55	8.22	7.84	7.12		
<a href="#">538-87803-0012</a>	87803-0012	A	25° angle, Thru-hole, 1.8V key	15Au	3.18mm	2.40mm	Off-White	Black	15.01	14.55	13.76	12.50		
<a href="#">538-87803-0112</a>	87803-0112	A	25° angle, Thru-hole, 1.8V key	30Au	3.18mm	2.40mm	Off-White	Black	25.74	23.80	21.87	20.80		
<b>DDR2 Mini DIMM - 0.6mm pitch - 244 circuits</b>														
<a href="#">538-87918-0001</a>	87918-0001	B	Right angle, SMT 1.8V key	30Au	-	-	Off-White	Black	26.82	26.05	24.58	22.35		
<a href="#">538-78001-1244</a>	78001-1244	B	Reverse right angle, SMT 1.8V key	30Au	-	-	Off-White	Black	26.82	26.19	24.58	22.35		
<a href="#">538-87783-0001</a>	87783-0001	B	22.5° angle, SMT, 1.8V key	30Au	-	-	Off-White	Black	21.97	20.42	19.57	18.30		

## DDR SOCKETS

### Features:

- Data Rates: up to 400Mbps
- Voltage Key: 2.5V
- Complies with all JEDEC standards



RoHS Compliant

For quantities greater than listed, call for quote.

MOUSER STOCK NO.	Molex Part No.	Fig.	Description	Contact Area Finish	Tail Length	PCB Thickness	Latch Color	Housing Color	Price Each					
									1	10	25	50		
<b>DDR DIMM - 1.27mm pitch - 184 circuits</b>														
<a href="#">538-87636-2002</a>	87636-2002	C	Vertical, Thru-hole, 2.5V key left	15Au	3.23mm	2.40mm	Beige	Black	6.74	6.10	5.94	5.36		