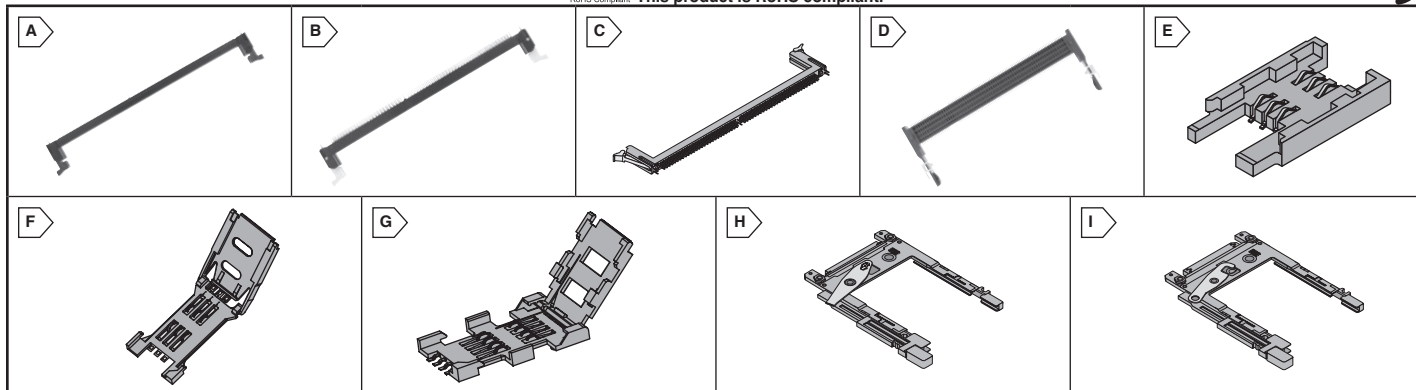


FCI DDR3, DDR2, SIM, PCMCIA and Cardbus Connectors



RoHS Compliant This product is RoHS compliant.



DDR3 CONNECTORS

Features:

- 240 Positions
- Low Level Contact Resistance; 20 milliohms max.
- Contact design protects against stubbing
- Supports high speed serial differential signaling at data rates extending to 4.8Gb/s for DDR3
- RoHS Compliant per FCI documentation

Specifications:

- Housing Material: Thermoplastic UL94V-0
- Contact Base Material: Copper Alloy
- Current Rating: 0.75A @ 30°C
- Durability (Mating Cycles): 25 Mating Cycles



RoHS Compliant

For quantities greater than listed, call for quote.

MOUSER STOCK NO.	FCI Part No.	Fig.	Housing Color	Latch Color	Clip Type	Contact Plating	Tail Length	Price Each		
								1	25	100
SMT										
649-10079248-11017LF	10079248-11017LF	A	Black	Black	Metal Clip	30µ" Gold	---	3.30	3.14	2.99
Thru Mount										
649-10081530-11107LF	10081530-11107LF	B	Black	Ivory	Metal Clip	15µ" Gold	2.67mm (.105 in.)	2.66	2.45	2.24

DDR2 CONNECTORS

Vertical sockets accept DDR2 (Double Data Rate 2) memory module assemblies per JEDEC MO-237 to allow convenient memory expansion in desktop PC's, servers, and communication equipment.

Features:

- 240 Positions
- Centerline Spacing: 1.00mm (0.039")
- Orientation: Vertical
- Voltage: 1.8V
- RoHS Compliant per FCI documentation

Specifications:

- Plating: Contact: 15µ" Gold; ±3µ" Gold Solder-tail: 00µ" Tin Underplate: 50µ" Nickel
- Housing Material: Thermoplastic (UL94 V-0)
- Contact Base Metal: Copper Alloy
- Current Rating: 0.5 Amps @ 30°C rise
- Durability (Mating Cycles): 25 Mating cycles per EIA 364



RoHS Compliant

For quantities greater than listed, call for quote.

MOUSER STOCK NO.	FCI Part No.	Fig.	Housing Color	Latch Color	Clip Type	Contact Plating	Tail Length	Price Each		
								1	25	100
DIMM - 240 Positions - 1mm Pitch										
649-10023061-10207LF	10023061-10207LF	C	Black housing	Ivory	Plastic post	15µ" Gold	3.18mm (.125")	1.93	1.77	1.61
649-10023061-10227LF	10023061-10227LF	C	Black housing	Black	Plastic post	15µ" Gold	3.18mm (.125")	1.93	1.77	1.61
649-10023061-10107LF *	10023061-10107LF	C	Black housing	Ivory	Plastic post	15µ" Gold	2.67mm (.105")	1.93	1.77	1.61
649-10005639-11107LF	10005639-11107LF	C	Black housing	Ivory	Metal clip	15µ" Gold	2.67mm (.105")	2.22	1.59	1.33
649-10005639-11109LF	10005639-11109LF	C	Black housing	Ivory	Metal clip	15µ" Gold	2.67mm (.105")	1.93	1.43	1.16
649-10005639-12207LF	10005639-12207LF	C	Black housing	Ivory	Metal clip	3µ" Gold	3.18mm (.125")	2.22	1.62	1.37
SO-DIMM - 200 Positions - .6mm Pitch										
649-10033853-052FSLF	10033853-052FSLF	D	Black	Tin	Metal	Gold Flash	---	9.45	7.19	6.11
649-10033854-052FSLF	10033854-052FSLF	D	Black	Tin	Metal	Gold Flash	---	9.44	7.19	6.10

SIM CONNECTORS

Features:

- Various heights available
- All directions insertion option
- Sliding with and without stopper configurations available
- Switched versions available
- RoHS compliant per FCI documentation



RoHS Compliant

For quantities greater than listed, call for quote.

MOUSER STOCK NO.	FCI Part No.	Fig.	Number of Positions	Configuration	Cover Type	Height	Price Each			
							1	25	100	250
649-7111S1615A01LF	7111S1615A01LF	E	6	With Cardguides	None	3.7mm	1.56	1.24	1.15	1.11
649-7111S2015X02LF	7111S2015X02LF	F	6	Flip Top	With Windows	2.5mm	.90	.78	.701	.683
649-7112S0825X01LF	7112S0825X01LF	G	8	Flip Top	With Windows	3mm	1.40	1.20	1.10	1.04

PCMCIA HEADERS

Features:

- Insertion Force: 39.2 N max.
- Current Rating: 0.5ADC per contact
- Insertion Force: 39.2 N max.
- Current Rating: 0.5ADC per contact

Specifications:

- Withdrawal Force: 6.67 N min 39.2 N max.
- UL and CSA approved
- Housing: Black LCP
- Center Line Spacing: 1.27mm
- RoHS Compliant per FCI documentation



RoHS Compliant

For quantities greater than listed, call for quote.

MOUSER STOCK NO.	FCI Part No.	Fig.	Mounting Style	Standoff Height	Voltage	No. of Decks	Price Each			
							1	25	100	250
649-61125-050CALF	61125-050CALF	H	Surface Mount	5.0mm	3.3V	Single	7.94	4.82	4.43	4.34
649-92194-320CALF	92194-320CALF	I	Through Hole	2.0mm	5.0V	Double	13.34	13.21	13.02	12.83
649-92789-040HLF	92789-040HLF	I	Through Hole	4.0mm	5.0V	Single	5.51	5.06	4.62	3.76