

# JAE SIM and DIMM Sockets and Memory Card Connectors



## SF50 SERIES MICRO SIM CARD CONNECTORS

RoHS Compliant This product is RoHS compliant.

- Simple structure and easy to operate pull lever is used for card insertion and removal
- Balanced 6 hold-down points for EMI countermeasure
- Location of pull lever is available in left and right side
- Industry's lowest-in-class-height of 1.2mm and smallest-in-class mounting area (13.6mm width, 15.6mm depth) for a pull lever type
- Pb-free, halogen-free compliant product



For quantities greater than listed, call for quote.

MOUSER STOCK NO.	JAE Part No.	Fig.	Description	Price Each			
				1	10	25	50
656-SF50S006V4AR1500	SF50S006V4AR1500	A	6P 1.2mm Micro SIM, Left Side Pull-Bar	3.16	2.51	2.33	2.21
656-SF50S006V4CR1500	SF50S006V4CR1500	A	6P 1.2mm Micro SIM, Right Side Pull-Bar	3.42	2.71	2.52	2.39

## SF2, SF7 AND SF9 SIM CARD SMT CONNECTORS

- Supports GSM 11.11 standard compliant plug-in SIM Card
- Super low profile with a height of 0.5mm from the board
- Easy operation hinge slide lock mechanism
- Space saving tray type design
- RoHS Compliance per JAE documentation

For quantities greater than listed, call for quote.

MOUSER STOCK NO.	JAE Part No.	Fig.	Description	Price Each			
				1	10	25	50
* 656-SF2W006S4KE3000	SF2W006S4KE3000	B	6P SMT SIM Contact Block	.71	.68	.67	.63
** 656-SF7W006S4ER1500	SF7W006S4ER1500	C	8P 1.9mm Height, Tray Type, with D-SW	1.02	.98	.95	.88
** 656-SF7W006S1AE1000	SF7W006S1AE1000	D	6P 2.3mm Height	2.75	2.15	1.99	1.91
** 656-SF7W006S1BE1000R	SF7W006S1BE1000R	D	6P 2.3mm Height with out polarizing boss	1.74	1.64	1.52	1.42
** 656-SF7W008S1AE900	SF7W008S1AE900	D	8P 2.5mm Height with D-SW	2.23	2.02	1.85	1.70
† 656-SF9W006S4AR1200	SF9W006S4AR1200	E	6P 1.8mm Height, Connector only	2.18	1.63	1.34	1.29
† 656-SF9W006S4BR1200	SF9W006S4BR1200	E	6P 1.8mm Height, Connector only (SUB PCB)	2.18	1.87	1.34	1.29
† 656-SF9-STS1-A	SF9-STS1-A	F	Tray only, A type	.33	.32	.318	.308
† 656-SF9-STR1-B	SF9-STR1-B	F	Tray only, B type	.74	.448	.398	.379

## SMALL MEMORY CARD CONNECTORS

- Small and low profile connectors
- Contact Resistance: 100mΩ or less
- Push-push structure to minimize space
- Rated Current: 0.5A
- RoHS Compliance per JAE documentation
- Insulation Resistance: 1000MΩ or more

\* Smallest in class 1.4mm H/15.5mm D, 11.9mm W

For quantities greater than listed, call for quote.

MOUSER STOCK NO.	JAE Part No.	Fig.	Description	Price Each			
				1	10	25	50
* 656-ST1W008S4GR300	ST1W008S4GR300	G	8P microSD Push-slide Hinge Type	5.39	4.85	4.12	3.99
656-ST1W008S4AR1500	ST1W008S4AR1500	H	8P microSD™ Push-slide Hinge Type "Open"	2.04	1.72	1.22	1.18
656-ST1W008S4ER1500	ST1W008S4ER1500	H	8P microSD™ Push-slide Hinge Type "Lock/Unlock"	1.39	1.26	1.17	1.08

## JC26 SERIES COMPACTFLASH® TYPE I/II CONNECTORS

- Slot mechanism compliant with CFA (Compact Flash Association) Type I/II Card
- Designed with spring-loaded mechanism to prevent card from coming out
- RoHS Compliance per JAE documentation
- 1.6mm Stand-Off option: 7.4mm height on board

For quantities greater than listed, call for quote.

MOUSER STOCK NO.	JAE Part No.	Fig.	Description	Price Each			
				1	10	25	50
656-JC26A-BB16E	JC26A-BB16E	I	50P Side pin connector without frame, 1.6mm Stand-Off	4.26	3.48	2.66	2.53
656-JC26A-BBE	JC26A-BBE	I	50P Side pin connector without frame, with Boss	4.26	3.48	2.66	2.53
656-JC26C-DRL16E	JC26C-DRL16E	I	50P Side pin connector with frame, reverse mount	10.17	9.59	9.06	8.59
656-JC26C-FSH16E	JC26C-FSH16E	I	50P Left fixed button, 1.6mm Stand-Off	4.64	2.95	2.76	2.63
656-JC26E-BBE	JC26E-BBE	I	50P Side pin connector without frame, with Boss	2.50	2.40	2.26	2.07
656-JC26E-DSRE	JC26E-DSRE	I	50P Side pin connector with frame, Top Mount	7.11	6.45	5.52	5.43

## MM60 SERIES MODULE SOCKETS

- Compatible with PCI Express Mini Card
- Retention latch part available to fix module to connector
- Module socket compatible with specifications standardized by the PCI-SIG
- Compatible with PCI Express Mini Card
- Used for connecting modules with PCI Express and USB transmission
- Module mounting heights allow components of under 1.8mm height to be placed below the module
- RoHS Compliance per JAE documentation



For quantities greater than listed, call for quote.

MOUSER STOCK NO.	JAE Part No.	Fig.	Description	Price Each			
				1	10	25	50
656-MM60-52C2-R1-R1200	MM60-52C2-R1-R1200	J	52P Card Socket 2.13mm Height	2.40	2.34	1.76	1.62
656-MM60-52B1-B1-R850	MM60-52B1-B1-R850	J	52P Card Socket 3.9mm Height	2.37	2.24	1.68	1.55
656-MM6052B1-G1-R850	MM60-52B1-G1-R850	J	52P Card Socket 4.0mm Height	1.52	1.44	1.08	.994
656-MM60-52B1-E1-R850	MM60-52B1-E1-R850	J	52P Card Socket 5.9mm Height	2.18	2.02	1.52	1.40
656-MM60-EZH039-B5-R	MM60-EZH039-B5-R850	K	Latch with Boss For 3.9mm Socket	.76	.70	.661	.627
656-MM60-EZH059-B5-R	MM60-EZH059-B5-R650	K	Latch with Boss For 5.9mm Socket	.89	.851	.798	.696
656-NT1R3000	NT1R3000	-	Stand Off Nut, 3.9mm	1.05	.80	.632	.55
656-NT4R1600	NT4R1600	-	Stand Off Nut, 5.9mm	.73	.55	.434	.412

## MM70 SERIES MXM3.0 COMPATIBLE CONNECTORS

- Mating area is 0.5mm pitch, with two-layer upper and lower structure
- Compatible with MXM3.0 standard (Card edge type)



For quantities greater than listed, call for quote.

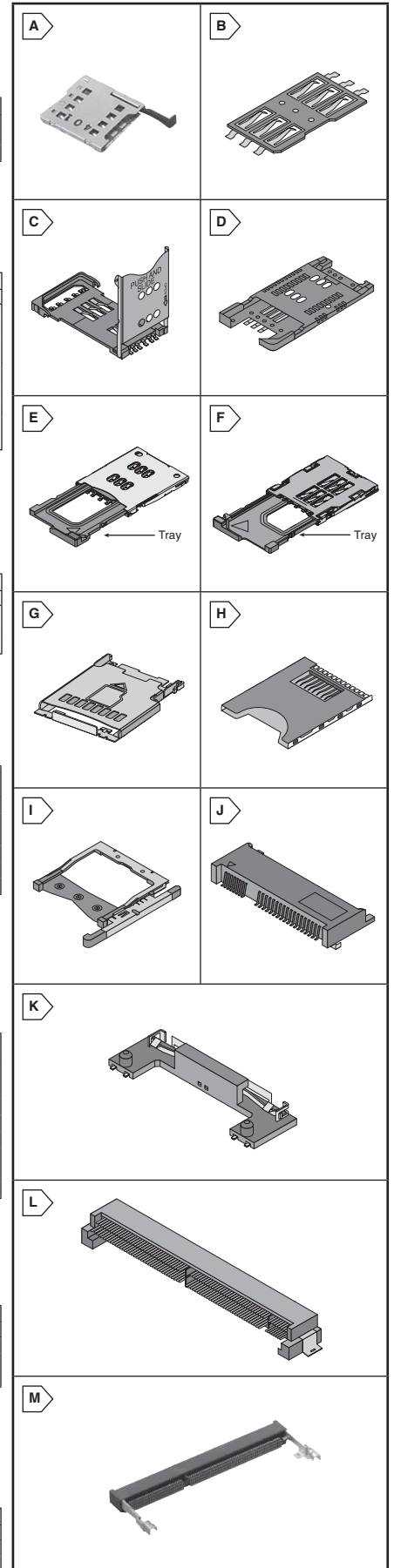
MOUSER STOCK NO.	JAE Part No.	Fig.	Description	Price Each			
				1	10	25	50
656-MM70314310B11R	MM70-314-310B1-1-R300	L	314P module socket, 0.1μ" AU, 3mm Height	9.58	9.05	6.79	6.26
656-MM70314310B12R	MM70-314-310B1-2-R300	L	314P module socket, 0.3μ" AU, 3mm Height	9.13	8.72	6.47	5.97
656-MM70314310B22R	MM70-314-310B2-2-R500	L	314P module socket, 0.3μ" AU, 1.5mm Height	9.14	8.89	6.67	6.15

## MM80 SERIES DDR3 HIGH SPEED CONNECTORS

- 204 pin socket for DDR3 SDRAM SODIMM, compatible with JEDEC standard (MO-268C)
- Incorrect-insertion prevention key operating voltage is DDR3 compatible 1.5V
- Right-angle SMT type, connector height is available in two types: 5.2mm and 9.2mm
- Reverse mounting type also available (heights: 5.2mm, 9.2mm)

For quantities greater than listed, call for quote.

MOUSER STOCK NO.	JAE Part No.	Fig.	Description	Price Each			
				1	10	25	50
656-MM80-204B1-1	MM80-204B1-1	M	DDR3 SDRAM, 204P, 5.2mm	5.99	4.81	4.07	3.92
656-MM80-204B1-1R	MM80-204B1-1R	M	DDR3 SDRAM, Reverse, 204P, 5.2mm	5.99	4.81	4.07	3.92



Memory Card

JAE

