

AVX Memory Card and DIN Connectors



RoHS Compliant This page of product is compliant.

SIM CONNECTORS

MOUSER STOCK NO	AVX Part No.	Fig.	No. of Contacts	Description	Height	Price Each			
						1	25	100	250
581-009162006301150	009162006301150	A	6	SMT with Locking Hinged Guide	2.50mm	1.85	1.57	1.23	1.12
581-009162006401070	009162006401070	B	6	SMT Slide in, Low Profile	1.60mm	1.98	1.68	1.32	1.20
581-00-9162006206175	009162006206175	B	6	SMT Slide in, Standard	1.75mm	1.36	1.05	.84	.78
581-009162006501150	009162006501150	C	6	SIM and SD Micro Combination	2.70mm	5.45	4.60	3.63	3.31
581-045036006200862+	045036006200862+	D	6	With Boss, without Lock	2.40mm	5.22	4.05	3.24	2.98
581-055036006202862+	055036006202862+	E	6	Without Boss, with Lock	2.40mm	5.16	4.00	3.28	3.25

SD CARD CONNECTORS

MOUSER STOCK NO	AVX Part No.	Fig.	Description	Height	Price Each			
					1	25	100	250
581-145638109211859+	145638109211859+	F	Reverse type, Outer tail, without ejector	2.9mm	3.77	2.92	2.34	2.03
581-145738009302859+	145738009302859+	G	Normal type, Inner tail	2.9mm	4.70	3.64	2.91	2.85
581-145738009784859+	145738009784859+	G	Normal type, Outer tail	2.8mm	5.95	4.61	3.69	2.87

COMPACT FLASH

Ejectors and connectors are sold separately

MOUSER STOCK NO	AVX Part No.	Fig.	Description	Price Each			
				1	25	100	250
Connectors							
581-315610050500871+	315610050500871+	H	Type I, Normal, related ejectors 305610000005000+ and 305610000006000+	5.51	4.27	3.42	3.15
581-315610050260871+	315610050260871+	H	Type I, Reverse, related ejectors 305610000005000+ and 305610000006000+	6.03	4.66	3.74	3.45
581-315620050116871+	315620050116871+	H	Type II, Normal, related ejector 305620000006000+	6.53	5.06	4.05	3.73
Ejectors - With Foldable Button							
581-305610000005000+	305610000005000+	---	Left Side, related connectors 315610050500871+ and 315610050500871+	3.48	2.70	2.16	2.07
581-305610000006000+	305610000006000+	---	Right Side, related connectors 315610050500871+ and 315610050500871+	3.48	2.70	2.16	1.92
581-305620000006000+	305620000006000+	---	Right Side, related connectors 315620050116871+ and 315620050716871+	3.05	2.36	1.89	1.74

DIN 41612 CONNECTORS

*: With keying system

MOUSER STOCK NO	AVX Part No.	Fig.	No. of Rows	No. of Contacts	Gender	Style	Termination Length	Loading Description	Price Each		
									1	10	25
Solder Termination, Straight											
581-20845764125	208457064001025	I	2	64	Female	B	4.5mm	a and b loaded	7.32	6.55	6.30
581-20845796125	208457096001025	I	3	96	Female	C	4.5mm	a, b, c loaded	8.26	7.44	7.01
581-20845796225	208457096002025	I	3	96	Female	C	2.9mm	a, b, c loaded	10.77	9.65	9.27
Solder Termination, Right-Angle											
581-10845796125	108457096001025	I	3	96	Male	C	3.4mm	a, b, c loaded	7.90	7.57	7.33
581-10845796225	108457096002025	I	3	96	Male	C	3.0mm	a, b, c loaded	3.92	3.52	3.22
* 581-12845796225	128457096002025	I	3	96	Male	C	3.0mm	a, b, c loaded	4.76	4.53	4.44
581-10845796226	108457096002026	I	3	64	Male	C	3.0mm	a and c loaded	4.60	4.27	4.21
581-10845716225	108457160002025	I	5	160	Male	C Expanded	3.0mm	a, b, c, d, e loaded	11.82	11.23	10.34
Solder Termination-Inverted, Straight											
581-10847796225	108477096002025	J	3	96	Male	R	4.5mm	a, b, c loaded	4.32	4.06	3.90
Solder Termination-Inverted, Right-Angle											
581-20847796225	208477096002025	J	3	96	Female	R	3.0mm	a, b, c loaded	11.99	11.41	11.12
Varipin™ Press-Fit Termination, Straight											
581-20845896125	208458096001025	K	3	96	Female	C	5.3mm	a, b, c loaded	7.42	6.79	6.37
581-208458128125	208458128001025	K	4	128	Female	C Expanded	5.3mm	a, b, c, d loaded	11.03	10.07	9.58

7E50 SERIES COMPACTFLASH™ TYPE II CARD HEADERS - SURFACE MOUNT

Features:

- RoHS Compliant per 3M documentation
- Mates with CompactFlash™ Type I and Type II cards
- Meets CFA standards for known compatibility and reliability
- Extended guide rails enable accurate and easy card insertion
- Guide rail ESD clip contacts board ground pads
- Single row surface mount solder tails facilitate auto placement and IR soldering

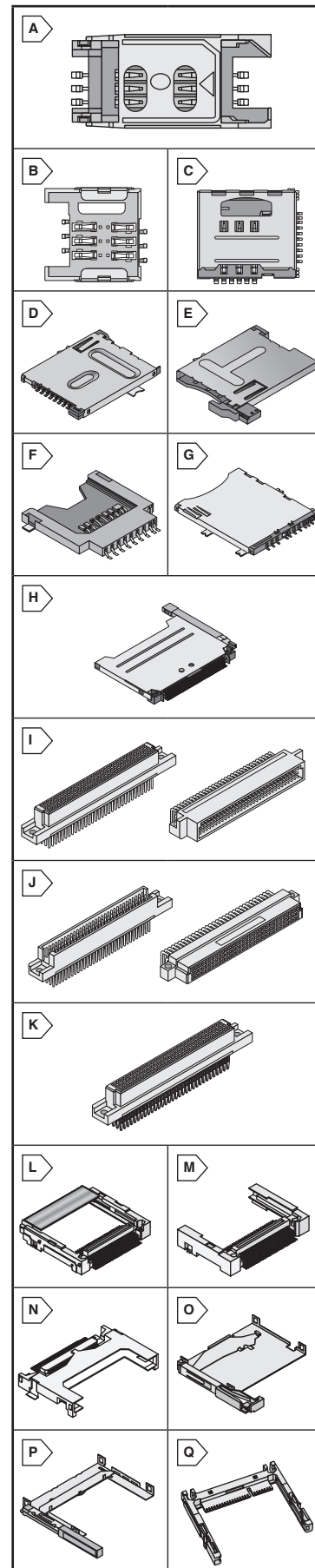
MOUSER STOCK NO.	3M Part No.	Fig.	Type	Plating	Board Standoff	Price Each		
						1	25	50
With Metal Brace								
517-N7E50-M516B-50-W	N7E50-M516RB-50-WF	L	Normal Type	30µ" Gold	2.00mm	4.82	4.52	4.03
Without Metal Brace								
517-N7E50-Q516B-50-W	N7E50-Q516RB-50-WF	M	Normal Type	30µ" Gold	2.00mm	4.76	4.49	3.97
517-N7E50-7516PG-20	N7E50-7516PG-20	N	Normal	Gold Flash	1.64mm	8.08	7.18	6.46
517-N7E50-7516PK-20	N7E50-7516PK-20	N	Normal	Gold Flash	1.64mm	6.34	5.33	4.91
Ejectors								
517-7E50-B316-04	7E50-B316-04	-		Right Hand Eject CFII		1.94	1.65	1.58
517-7E50-B716-05	7E50-B716-05	O		CFII NRIL Latching		2.78	2.61	2.32
517-7E50-B516-05	7E50-B516-05	P		CFII Dual Push		2.70	2.40	2.16

N7G24 SERIES HEADERS AND ACCESSORIES FOR CFAST™ CARD

CFAST is a new CompactFlash Association (CFA) standard evolved from the familiar CompactFlash® Card format incorporating the Serial Advanced Technology Attachment (SATA) architecture

- Long guide rails
- Elevated height (2mm)
- High durability
- Optional ejector/retainer system
- Single connector for Type I and II

MOUSER STOCK NO.	3M Part No.	Fig.	Type	Plating	Board Standoff	Price Each			
						1	25	50	100
Headers									
517-N7G24-A0B2RB000HT	N7G24-A0B2RB-00-0HT	Q	Normal	30µ" Gold	-	6.85	6.09	5.48	4.98
517-N7G24-A0B2RB100HT	N7G24-A0B2RB-10-0HT	Q	Normal	15µ" Gold	2.00mm	7.08	6.29	5.66	5.15
Ejectors									
517-7G24-B516-05	7G24-B5A6-05	P	-	Right Dual Push Ejector	-	1.58	1.40	1.26	1.15
517-7G24-B616-05	7G24-B6A6-05	P	-	Left Dual Push Ejector	-	1.58	1.40	1.26	1.15
Accessories									
517-7E50-C016-00-HT	7E50-C016-00-HT	-	-	Retaining Clip	-	2.75	2.44	2.20	2.00



Memory Card
AVX