

TE Lighting Connectors



HERMAPHRODITIC BLADE AND RECEPTACLE CONNECTORS

RoHS Compliant This product is RoHS compliant.

Features:

- Available in 2, 4, and 6 Positions
- Connector Mates to Itself
- Single Part to be Stocked and Placed onto PCB per Position
- Connector Mates and Unmates Horizontally and Vertically -3 Axis Mating

- Connector can be Articulated from 90° to 180°
- Solder Pad Footprint Compatible with TE SMT Poke-In LED Connector
- Redundant SMT Pads

Applications:

- LED Lighting Modules
- Incandescent Lighting Strips
- Channel Lettering

Board to Board

For quantities greater than listed, call for quote.

MOUSER STOCK NO.	TE Part No.	Fig.	No. of Positions	Color	Price Each		
					1	25	100
Without Latches							
571-1954289-1	1954289-1	A	2	White	.59	.524	.371
571-1-1954289-1	1-1954289-1	A	2	Black	.58	.523	.37
571-1-1954289-2	1-1954289-2	A	4	Black	1.25	1.11	.792
With Latches							
571-2058703-1	2058703-1	B	2	White	.59	.463	.373
571-1-2058703-1	1-2058703-1	B	2	Black	.71	.561	.452
571-2058703-3	2058703-3	B	6	White	1.32	1.21	1.01
571-1-2058703-3	1-2058703-3	B	6	Black	1.73	1.57	1.36
Dust Covers							
571-2058128-1	2058128-1	C	2	White	.47	.425	.388
571-2058128-3	2058128-3	C	6	White	.62	.505	.47

Wire to Board

For quantities greater than listed, call for quote.

MOUSER STOCK NO.	TE Part No.	Fig.	No. of Positions	Color	Price Each		
					1	25	100
571-2058299-1	2058299-1	D	2	White	.34	.29	.279
571-1-2058299-1	1-2058299-1	D	2	Black	.31	.263	.228
571-2058299-2	2058299-2	D	4	White	.30	.237	.199
571-2058299-3	2058299-3	D	6	White	.43	.396	.287

Contacts

For quantities greater than listed, call for quote.

MOUSER STOCK NO.	TE Part No.	Fig.	Description	Price Each		
				1	25	100
571-2058301-2	2058301-2	E	Blade Contact	.20	.16	.14
571-2058302-2	2058302-2	F	Socket Contact	.17	.14	.13

INVERTED SMT THRU BOARD CONNECTORS

Features:

- Eliminates wire dress management issues with discreet wire leads around the surface of the LED pc board
- Accepts 2 thru 6 Position TE Mini CT connector
- Low profile design
- Rounded corners to minimize shadowing
- Surface mount hold downs provide stability during mating and unmating

Applications:

- LED lighting controls
- Indoor and outdoor lighting fixtures
- General LED illumination fixtures
- Various non-lighting applications that require wire dress connections below the pc board

Connectors

For quantities greater than listed, call for quote.

MOUSER STOCK NO.	TE Part No.	Fig.	No. of Positions	Price Each		
				1	25	100
571-2106091-1	2106091-1	G	2	.88	.771	.527
571-2106091-2	2106091-2	G	3	1.09	.904	.601
571-2106091-3	2106091-3	G	4	1.33	1.19	1.09
571-2106091-4	2106091-4	G	5	1.52	1.26	.849
571-2106091-5	2106091-5	G	6	1.70	1.40	.935

Mini CT Cable Assemblies

For quantities greater than listed, call for quote.

MOUSER STOCK NO.	TE Part No.	Fig.	No. of Positions	Price Each		
				1	25	100
571-2058943-1	2058943-1	H	2	.78	.64	.59
571-2058943-2	2058943-2	H	3	.65	.555	.442
571-2058943-3	2058943-3	H	4	.94	.884	.811
571-2058943-5	2058943-5	H	6	.95	.832	.667

MICRO POKE-IN WIRE SSL CONNECTOR

Features:

- Small size: 8.2mm (L) x 3.3mm (W) x 2.475mm (H)
- Long product lifetime: 40,000 hours
- Wire retention force: 6N
- Salt spray test qualification
- Creepage distance: 1.5mm
- High speed for SMT processes
- RoHS compliant
- Accepts 24 and 26AWG solid wire
- Low profile flat surface allows for vacuum pick up
- High temperature material for type reflow processes
- Tape and reel packaging

Applications:

- LED channel letter lighting strips
- General illumination LED fixtures
- Architectural cove and valence lighting
- Digital signage
- LED Module
- Available for COB application
- Various non-lighting applications that require attaching flying leads to printed circuit boards



For quantities greater than listed, call for quote.

MOUSER STOCK NO.	TE Part No.	Fig.	No. of Positions	Description	Price Each			Reel Quantity	Price Per Piece
					1	25	100		
571-2134611-1	2134611-1	I	1	SMT, white	.53	.482	.41	2000	.26

LIGHT-N-LOK™ CONNECTORS

Features:

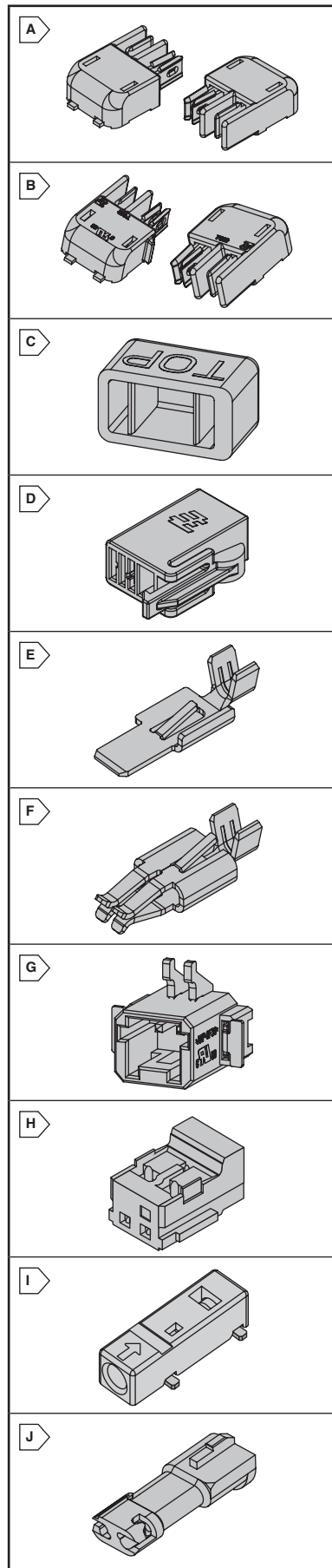
- Available in 2 and 3 position sizes
- Poke-in termination for 18AWG solid wire for easy tool-less, field or factory installation
- Interfac strain-relief prevents inadvertent wire twist out and pull out
- Designed for hot plugging
- Snag-resistant rounded housings
- Connector latches prevent unintentional disconnect

Applications:

- Commercial lighting applications for UL2459
- Hot-pluggable interconnect for fluorescent ballast applications
- Meets new NEC and CEC requirements

For quantities greater than listed, call for quote.

MOUSER STOCK NO.	TE Part No.	Fig.	No. of Positions	Description	Price Each		
					1	25	100
571-2008144-1	2008144-1	J	2	Mated Pair, Plug and Receptacle	.79	.65	.46
571-2008152-1	2008152-1	J	3	Mated Pair, Plug and Receptacle	1.16	1.10	.847



TE Connectivity Lighting Connectors

