

TE Lighting Connectors



CoolSplice CONNECTORS

Features:

- Simple push button termination
- Easy visual inspection
- Left/right termination independent
- Slim-symmetrical glossy appearance
- Optional sealing
- Standard version KEMA approved
- UL approved
- No wire stripping
- No screws, no sharp edges
- No special tooling, no dirt moistening



For quantities greater than listed, call for quote.

MOUSER STOCK NO.	TE Part No.	Fig.	Description	Price Each			
				1	25	50	100
571-293545-1	293545-1	A	Unsealed clear connector (green buttons) 18AWG	1.74	1.45	1.22	1.07
571-293545-2	293545-2	A	Sealed clear connector (blue buttons) 18AWG	1.85	1.54	1.30	1.14
571-293545-3	293545-3	A	Unsealed yellow connector (green buttons) 20-22AWG	1.31	1.16	1.04	.96
571-293545-4	293545-4	A	Sealed yellow connector (blue buttons) 20-22AWG	1.47	1.31	1.18	1.09
571-5-293521-1	5-293521-1	B	4p Ribbon IDC Sealed Splice - Clear	3.66	3.05	2.56	2.25
571-5-293522-1	5-293522-1	C	4p Ribbon IDC end cap with Bridge; Blue	2.30	1.91	1.61	1.41
571-5-293522-2	5-293522-2	C	4p Ribbon IDC end cap without Bridge; Green	1.89	1.58	1.32	1.16

SlimSeal LOW POWER SEALED LIGHTING CONNECTORS

Features:

- Wire-to-wire and wire-to-board (vertical and right angle)
- 18-24AWG stranded wire
- Positive integral latching
- Polarized connectors
- Pre-assembled seals and wire guides
- IP67 rating
- UV resistance (wire-to-wire)

Applications:

- Billboards
- Live events lighting
- Wall wash lighting
- Spot lighting
- Street lighting
- Tunnel lighting
- Flood lights
- LED strip lighting

For quantities greater than listed, call for quote.

MOUSER STOCK NO.	TE Part No.	Fig.	No. of Positions	Description	Price Each		
					1	25	50
571-2106135-2	2106135-2	D	2	Wire-to-wire Plug	2.04	1.73	1.65
571-2106135-4	2106135-4	D	4	Wire-to-wire Plug	1.74	1.58	1.44
571-2106136-2	2106136-2	E	2	Wire-to-wire Receptacle	1.41	1.29	1.17
571-2106136-4	2106136-4	E	4	Wire-to-wire Receptacle	1.70	1.60	1.52
571-2106053-2	2106053-2	F	2	Vertical Header, SMT	1.39	1.27	1.14
571-2106053-6	2106053-6	F	4	Vertical Header, SMT	1.63	1.47	1.34
571-2106056-2	2106056-2	G	2	Right Angle Header, SMT	1.19	1.17	.983
571-2106056-8	2106056-8	G	4	Right Angle Header, SMT	1.38	1.25	1.14
Contacts							
571-2106123-2	2106123-2	-	-	18-20 AWG Receptacle Contact	.15	.14	.13
571-1-2106123-2	1-2106123-2	-	-	22-24 AWG Receptacle Contact	.22	.18	.15
571-2106124-9	2106124-9	-	-	18-20 AWG Blade Contact	.20	.19	.17
571-2-2106124-7	2-2106124-7	-	-	22-26 AWG Blade Contact	.19	.17	.15

IDC SSL CONNECTORS

Features:

- SMT and thru-hole
- Closed end and feed through
- 18-24AWG stranded and solid wire
- Dual IDC slots for redundancy
- Wire placement "viewing" window
- Wire gauge color coded
- Tool-less termination

Applications:

- LED lighting controls
- General illumination LED fixtures
- Connecting strings of pcb LED light modules
- Non-lighting wire-to-board applications

For quantities greater than listed, call for quote.

MOUSER STOCK NO.	TE Part No.	Fig.	No. of Positions	AWG	Dim. "D" mm (in.)	Color	Price Each		
							1	25	100
Closed End SMT									
571-2106003-2	2106003-2	H	2	18	9.70 (.382)	Yellow	.77	.65	.55
571-2106003-3	2106003-3	H	3	18	13.70 (.539)	Yellow	.70	.571	.447
571-1-2106003-2	1-2106003-2	H	2	20	9.70 (.382)	Blue	.77	.65	.55
571-1-2106003-3	1-2106003-3	H	3	20	13.70 (.539)	Blue	.69	.57	.446
571-2-2106003-2	2-2106003-2	H	2	22	9.70 (.382)	Green	.61	.505	.405
571-2-2106003-3	2-2106003-3	H	3	22	13.70 (.539)	Green	.70	.571	.447
571-3-2106003-2	3-2106003-2	H	2	24	9.70 (.382)	Red	.61	.505	.405
Feed Through SMT									
571-2106431-2	2106431-2	I	2	18	9.70 (.382)	Yellow	.61	.505	.405
571-2106431-3	2106431-3	I	3	18	13.70 (.539)	Yellow	.74	.611	.478
571-1-2106431-2	1-2106431-2	I	2	20	9.70 (.382)	Blue	.61	.505	.405
571-2-2106431-2	2-2106431-2	I	2	22	9.70 (.382)	Green	.58	.48	.38
571-2-2106431-3	2-2106431-3	I	3	22	13.70 (.539)	Green	.69	.57	.446
571-3-2106431-2	3-2106431-2	I	2	24	9.70 (.382)	Red	.58	.48	.38
Closed End-Through Hole									
571-2106489-2	2106489-2	J	2	18	9.70 (.382)	Yellow	.59	.492	.412
571-1-2106489-2	1-2106489-2	J	2	20	9.70 (.382)	Blue	.51	.42	.39
Feed Through-Through Hole									
571-2106751-2	2106751-2	K	2	18	9.70 (.382)	Yellow	.59	.492	.412
571-1-2106751-2	1-2106751-2	K	2	20	9.70 (.382)	Blue	.59	.473	.373

BOARD-TO-BOARD SCREW DOWN JUMPER ASSEMBLY

Features:

- 2 position connection assembly
- Fits onto 16.50mm wide PCB
- 7.0mm PCB spacing
- #6 screw (not included) secures assembly to heat sink or base

Applications:

- T8-T12 fluorescent retrofit LED bulbs
- LED lighting strips
- LED lighting controls
- Channel lettering

For quantities greater than listed, call for quote.

MOUSER STOCK NO.	TE Part No.	Fig.	Description	Price Each		
				1	25	100
571-2106154-1	2106154-1	L	Screw Down Jumper Assembly	1.58	1.40	1.06

G13 STYLE SMT ASSEMBLY AND END CAP

Features:

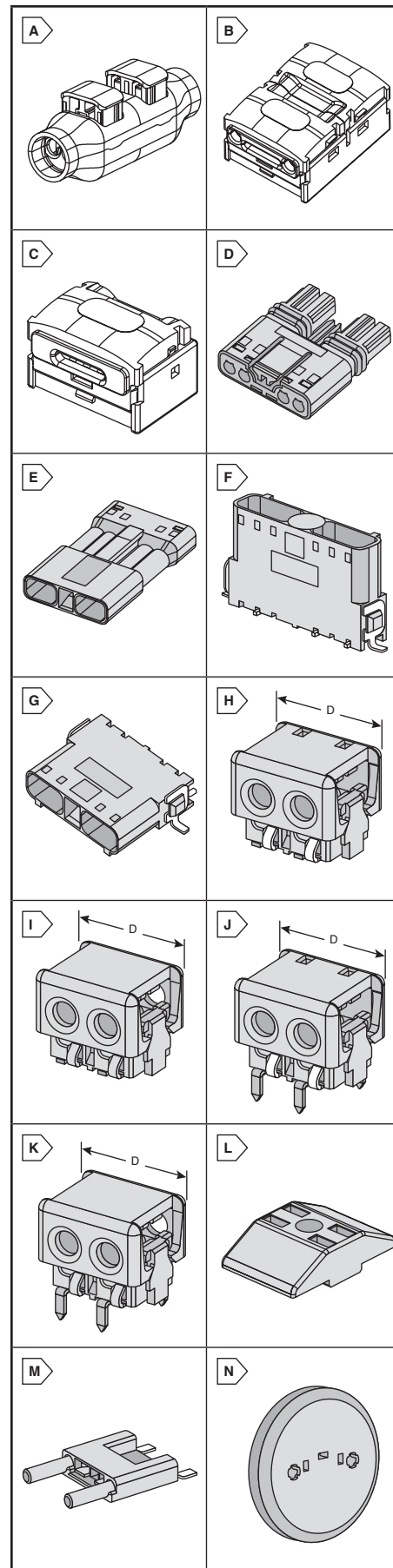
- 2 position G13 Style SMT Assembly
- The End Cap Cover is designed to interface with G13 Style SMT assembly, heat sink and tube
- 0.5" pin centerline per G13 specification
- High temperature material for reflow processing

Applications:

- Standard T8 and T12 fluorescent fixtures

For quantities greater than listed, call for quote.

MOUSER STOCK NO.	TE Part No.	Fig.	Description	Price Each		
				1	25	100
571-2106150-1	2106150-1	M	G13 Style SMT Assembly	2.54	2.11	1.63
571-2106646-1	2106646-1	N	End Cap Cover	1.18	1.04	.797



Lighting Connectors TE Connectivity