

TE Circular Accessories



SHELL SIZE 11 ACCESSORIES



This product is RoHS compliant.

MOUSER STOCK NO.	TE Part No.	Fig.	Description	Price Each		
				1	25	50
571-1-206062-6	1-206062-6	A	Std cable clamp, screw length .375"	3.05	2.88	2.77
571-1-206062-4	1-206062-4	A	Std cable clamp, screw length .500"	5.57	4.28	3.83
571-206358-5	206358-5	B	Large cable clamp	4.31	3.86	3.54
571-1546347-2	1546347-2	C	Right-angle cable clamp with cover	8.34	7.59	6.95
571-207489-1	207489-1	D	Flexible cable boot	3.86	3.56	3.29
571-207490-1	207490-1	E	Internal cable grip	4.00	2.93	2.67
571-54010-1	54010-1	F	Heat shrink sealing boot	12.63	11.45	10.52
571-2064031	206403-1	G	Peripheral seal	.76	.70	.62
571-208800-1	208800-1	H	Sealing cap metal chain	7.25	6.36	5.83
571-2063041	206304-1	I	Rubber boot	8.14	7.35	7.12
571-2138111	213811-1	J	Replacement coupling ring	1.07	.97	.861
571-207299-1	207299-1	K	Panel mount flange for plug	6.08	5.70	5.00

SHELL SIZE 13 ACCESSORIES



MOUSER STOCK NO.	TE Part No.	Fig.	Description	Price Each		
				1	25	50
571-206966-7	206966-7	A	Standard cable clamp	4.36	3.49	3.21
571-207008-5	207008-5	B	Large cable clamp	4.90	4.45	4.08
571-1546348-2	1546348-2	C	Right-angle cable clamp with cover	7.81	7.10	6.40
571-54123-1	54123-1	F	Heat shrink sealing boot	12.44	11.11	10.21
571-2064034	206403-4	G	Peripheral seal	1.35	.99	.828
571-211870-2	211870-2	L	Sealing cap plastic strap	2.58	2.33	2.14
571-2134851	213485-1	H	Sealing cap metal chain	7.47	7.22	6.24
571-2138131	213813-1	J	Replacement coupling ring	1.49	1.33	1.23
571-207299-2	207299-2	K	Panel mount flange for plug	5.09	4.54	4.18

SHELL SIZE 17 ACCESSORIES



MOUSER STOCK NO.	TE Part No.	Fig.	Description	Price Each		
				1	25	50
571-206070-8	206070-8	A	Standard cable clamp	5.21	3.47	3.36
571-206322-9	206322-9	B	Large cable clamp	4.82	4.38	4.04
571-1546349-2	1546349-2	C	Right-angle cable clamp with cover	8.49	7.71	7.07
571-207241-1	207241-1	D	Flexible cable boot	5.36	4.86	4.45
571-2073871	207387-1	E	Small internal cable grip	5.47	4.92	4.45
571-2073872	207387-2	E	Large internal cable grip	4.79	4.36	4.00
571-54011-1	54011-1	F	Heat shrink sealing boot	16.83	15.28	14.02
571-2064032	206403-2	G	Peripheral seal	.77	.65	.55
571-2086521	208652-1	H	Sealing cap metal chain	8.00	6.52	6.01
571-2138101	213810-1	J	Replacement coupling ring	1.25	1.15	1.04
571-2072993	207299-3	K	Panel mount flange for plug	4.89	4.55	4.05

SHELL SIZE 23 ACCESSORIES



MOUSER STOCK NO.	TE Part No.	Fig.	Description	Price Each		
				1	25	50
571-206138-8	206138-8	A	Standard cable clamp	5.24	3.94	3.57
571-206512-5	206512-5	B	Large cable clamp	5.74	5.22	4.78
571-1546350-2	1546350-2	C	Right-angle cable clamp with cover	7.73	7.03	6.44
571-207774-3	207774-3	M	Self-centering cable clamp	7.30	6.64	6.09
571-54012-1	54012-1	F	Heat shrink sealing boot	12.77	11.97	10.65
571-2064033	206403-3	G	Peripheral seal	1.62	1.39	1.13
571-2072994	207299-4	L	Panel mount flange for plug	3.05	2.89	2.54
571-2070551	207055-1	N	Back-shell extender	6.23	4.54	4.23
571-2070523	207052-3	O	Jacketed cable seal .60" - .875"	17.51	16.23	14.30
571-2086801	208680-1	I	Sealing cap metal chain	7.23	6.74	6.52
571-2138121	213812-1	K	Replacement coupling ring	2.41	1.86	1.76

KEYING PLUGS



MOUSER STOCK NO.	TE Part No.	Fig.	Description	Price Each		
				1	25	50
571-2008211	200821-1	P	Series 1 and 4 keying plug	.27	.25	.23
571-2065091	206509-1	Q	Series 2 keying plug	.50	.47	.45
571-2065081	206508-1	R	Series 3 and 4 keying plug sockets	.80	.732	.679
571-2075971	207597-1	R	Series 3 and 4 keying plug pins	2.32	2.08	1.80

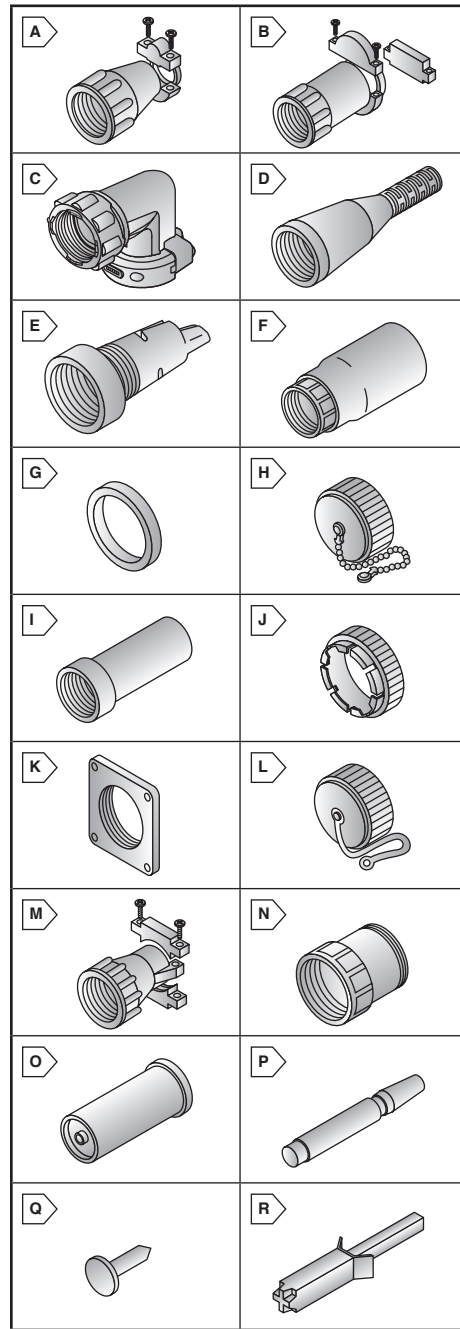
RAYCHEM SPIN LOCK VARIABLE ANGLE BACKSHELLS

- Variable angle backshell enables straight, 45° and 90° cable terminations with the same part
- High performance, low resistance shield termination



For quantities greater than listed, call for quote.

MOUSER STOCK NO.	TE Part No.	Fig.	Shell Size	Mates To	Price Each			
					1	5	25	
Saddle Clamp Version								
650-SLC40AB-0804A	SLC40AB-0804A	A	8	MIL-C-38999, Series III and IV	83.32	73.91	68.40	63.65
650-SLC40AB-1006A	SLC40AB-1006A	A	10	MIL-C-38999, Series III and IV	85.14	75.53	69.89	65.04
650-SLC40AB-1208A	SLC40AB-1208A	A	12	MIL-C-38999, Series III and IV	87.03	77.20	71.44	66.48
650-SLC41AB-0804A	SLC41AB-0804A	A	8	MIL-C-38999, Series I and II	83.32	73.91	68.40	63.65
650-SLC41AB-1006A	SLC41AB-1006A	A	10	MIL-C-38999, Series I and II	85.14	75.53	69.89	65.04
650-SLC41AB-1208A	SLC41AB-1208A	A	12	MIL-C-38999, Series I and II	87.03	77.20	71.44	66.48
650-SLC54AB-0804A	SLC54AB-0804A	A	8	MIL-C-5015G, MS3400	83.32	73.91	68.40	63.65
650-SLC54AB-1006A	SLC54AB-1006A	A	10	MIL-C-5015G, MS3401	85.14	75.53	69.89	65.04
650-SLC54AB-1208A	SLC54AB-1208A	A	12	MIL-C-5015G, MS3402	87.03	77.20	71.44	66.48
Molded Boot Version								
650-SLM40AB-0804A250	SLM40AB-0804A-25-0	B	8	MIL-C-38999, Series III and IV	68.07	60.38	55.88	52.00
650-SLM40AB-1006A250	SLM40AB-1006A-25-0	B	10	MIL-C-38999, Series III and IV	69.09	61.29	56.71	52.77
650-SLM40AB-1208A250	SLM40AB-1208A-25-0	B	12	MIL-C-38999, Series III and IV	70.12	62.20	57.56	53.56
650-SLM41AB-0804A250	SLM41AB-0804A-25-0	B	8	MIL-C-38999, Series I and II	68.07	60.38	55.88	52.00
650-SLM41AB-1006A250	SLM41AB-1006A-25-0	B	10	MIL-C-38999, Series I and II	69.09	61.29	56.71	52.77
650-SLM41AB-1208A250	SLM41AB-1208A-25-0	B	12	MIL-C-38999, Series I and II	70.12	62.20	57.56	53.56
650-SLM54AB-0804A250	SLM54AB-0804A-25-0	B	8	MIL-C-5015G, MS3400	68.07	60.38	55.88	52.00
650-SLM54AB-1006A250	SLM54AB-1006A-25-0	B	10	MIL-C-5015G, MS3401	69.09	61.29	56.71	52.77
650-SLM54AB-1208A250	SLM54AB-1208A-25-0	B	12	MIL-C-5015G, MS3402	70.12	62.20	57.56	53.56



Circular Connectors
TE Connectivity

