

# PHOENIX CONTACT M12/M8 Connectors



## M12/M8 QUICKON-ONE PLUG CONNECTORS

**Features:**

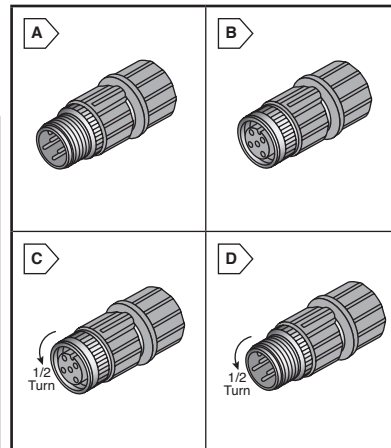
- QUICKON-ONE design allows rapid connector termination
- No Individual Wire
- IDC Wire Termination

**Specifications:**

- Current Rating: 4A
- IP-Degree: IP67 (IEC 60529)
- Voltage Rating: 125VAC

For quantities greater than listed, call for quote.

MOUSER STOCK NO.		Fig.	Phoenix Contact Type	No. of Positions	Cable Diameter	Mating Thread Material	AWG Range	Type	Price Each		
Mfr.	Mfr. Part No.								1	10	25
<b>M12 Quickon-One Plug Connector</b>											
651—1641714		A	SACC-M12MS-4QO-0.34	4	3.5 - 6mm	Plastic	26-22	Male	12.45	11.81	11.25
651—1641691		A	SACC-M12MS-4QO-0.34-M	4	3.5 - 6mm	Metal	26-22	Male	12.89	12.21	11.12
651—1641769		A	SACC-M12MS-4QO-0.75	4	3.5 - 6mm	Plastic	22-18	Male	12.20	11.24	10.72
651—1641785		A	SACC-M12MS-4QO-0.75-M	4	3.5 - 6mm	Metal	22-18	Male	12.88	12.20	11.11
651—1641701		B	SACC-M12FS-4QO-0.34	4	3.5 - 6mm	Plastic	26-22	Female	12.45	11.81	11.25
651—1641688		B	SACC-M12FS-4QO-0.34-M	4	3.5 - 6mm	Metal	26-22	Female	12.88	12.20	11.11
651—1641756		B	SACC-M12FS-4QO-0.75	4	3.5 - 6mm	Plastic	22-18	Female	12.81	11.81	10.86
651—1641772		B	SACC-M12FS-4QO-0.75-M	4	3.5 - 6mm	Metal	22-18	Female	12.88	12.20	11.11
<b>M12 SPEEDCON Quickon-One Plug Connector</b>											
651—1521601		C	SACC-M12FS-4QO-0.75-M SCO	4	3.5 - 6mm	Metal	22-18	Female	11.66	10.82	10.22
651—1521591		D	SACC-M12MS-4QO-0.75-M SCO	4	3.5 - 6mm	Metal	22-18	Male	11.66	10.82	10.22
<b>M8 Quickon-One Plug Connector</b>											
651—1506752		A	SACC-M 8MS-3PCON	3	3 - 5mm	Metal	26-22	Male	18.32	17.36	16.03
651—1506778		B	SACC-M 8FS-3PCON	3	3 - 5mm	Metal	26-22	Female	16.31	16.13	15.41



## M12/M8 PLUG CONNECTORS

**Features:**

- Right Angle Versions can be swiveled
- Metal Threaded Knurls

**Specifications:**

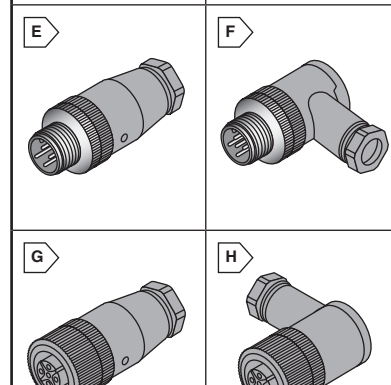
- Current Rating: 4A
- IP-Degree: IP67 (IEC 60529)
- Voltage Rating: 125VAC



RoHS Compliant

For quantities greater than listed, call for quote.

MOUSER STOCK NO.		Fig.	Phoenix Contact Type	No. of Positions	Type Termination	Cable Diameter	Type	Price Each		
Mfr.	Mfr. Part No.							1	10	25
<b>M12 Plug Connector</b>										
651—1662528		E	SACC-M12MS-4CON-PG7-M	4	Screw	4 - 6mm	Straight Male	12.72	12.11	11.55
651—1681101		F	SACC-M12MR-4CON-PG7-M	4	Screw	4 - 6mm	R/A Male	12.71	12.10	11.54
651—1681127		G	SACC-M12FS-4CON-PG7-M	4	Screw	4 - 6mm	Straight Female	12.72	12.11	11.55
651—1681143		H	SACC-M12FR-4CON-PG7-M	4	Screw	4 - 6mm	R/A Female	12.72	12.11	11.55
<b>M8 Plug Connector</b>										
651—1681156		E	SACC-M8MS-3CON-M	3	Solder	3.5 - 5 mm	Straight Male	12.72	12.11	11.55
651—1501252		G	SACC-M8MS-3CON-M-SW	3	Screw	3.5 - 5 mm	Straight Male	16.06	14.79	14.12
651—1681172		E	SACC-M8FS-3CON-M	3	Solder	3.5 - 5 mm	Straight Female	12.72	12.11	11.55
651—1506888		G	SACC-M8FS-3CON-M-SW	3	Screw	3.5 - 5 mm	Straight Female	15.59	14.12	13.27



## M12 CABINET FEEDTHROUGH

**Features:**

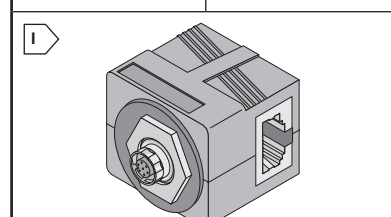
- Transition from M12 Field devices to RJ45 Devices inside control cabinet
- 180° and 90° versions available

**Specifications:**

- IP-Degree: IP65/67
- Cat5e Rated
- Temperature range: -25°C to +85°C

For quantities greater than listed, call for quote.

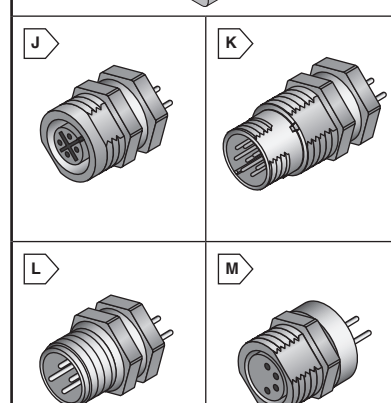
MOUSER STOCK NO.		Fig.	Phoenix Contact Type	No. of Positions	Coding	Mating Thread Material	Orientation	Price Each		
Mfr.	Mfr. Part No.							1	10	25
651—1657261		I	VS-BH-M12FSD-RJ45/90	4	A	Metal	90°	36.12	33.23	30.70
651—1657494		I	VS-BH-M12FSDRJ45/180	4	A	Metal	180°	36.12	33.23	30.70
651—1405057		I	VS-BHM12FS-8CON-RJ45	8	D	Metal	90°	46.86	43.14	41.81
651—1405060		I	VS-BHM12FS-8CON-RJ45	8	D	Metal	180°	46.86	43.14	41.81



## PANEL MOUNT CONNECTORS

For quantities greater than listed, call for quote.

MOUSER STOCK NO.		Fig.	Phoenix Contact Type	No. of Positions	Keying	Orientation	Price Each		
Mfr.	Mfr. Part No.						1	10	25
<b>M12 - Speedcon - PCB</b>									
651—1542761		J	SACC-DSI-FS-5CON-L180 SCO	5	A-standard	Straight Female	12.47	11.59	11.07
651—1543650		J	SACC-DSI-FSB-5CON-L180 SCO	5	B-inverse	Straight Female	12.47	11.59	11.07
651—1542774		J	SACC-DSI-FS-8CON-L180 SCO	8	A-standard	Straight Female	24.29	22.35	21.35
651—1542745		K	SACC-DSI-MS-5CON-L180 SCO	5	A-standard	Straight Male	12.47	11.26	10.75
651—1542758		K	SACC-DSI-MS-8CON-L180 SCO	8	A-standard	Straight Male	22.26	20.70	19.75
<b>M8 - PCB</b>									
651—1694334		L	SACC-DSI-M8MS-3CON-L180	3	---	Straight Male	10.83	9.97	9.52
651—1694363		M	SACC-DSI-M8FS-3CON-L182	3	---	Straight Female	12.69	12.65	11.68
651—1694376		M	SACC-DSI-M8FS-4CON-L183	4	---	Straight Female	9.79	9.02	8.61
<b>M8 Receptacles with 0.5M Wire Leads</b>									
651—1500350		-	SACC-E-M-8FS-3CON-M8/0.5	3	---	Female Panel	17.15	15.79	15.08
651—1500334		-	SACC-E-M-8MS-3CON-M8/0.5	3	---	Male Panel	14.89	13.71	13.09



## SENSOR/ACTUATOR BOXES

The SACB sensor/actuator boxes set new standards in distributed field cabling when it comes to space. Ideal use of space is guaranteed by the extremely flat design. The boxes are offered in a variety of styles to accommodate any application.

For quantities greater than listed, call for quote.

MOUSER STOCK NO.		Fig.	Phoenix Contact Type	No. of Slots	No. of Positions	Master Cable L (m)	Slot Type	With LED	Price Each	
Mfr.	Mfr. Part No.								1	5
<b>M12 Boxes</b>										
651—1680982		N	SACB-8/8- 5.0PUR	8	4	5	Single-Occupied	-	134.71	124.02
651—1695171		N	SACB-8/8-L-10.0PUR	8	4	10	Single-Occupied	LED	190.71	175.57
<b>M12 Sensor/Actuator Boxes with Connected Master Cable - Speedcon</b>										
651—1517165		N	SACB-8/8-L-5.0PUR SCO	8	4	5	Single-Occupied	LED	153.03	140.89
<b>M8 Sensor/Actuator Boxes</b>										
651—1516072		O	SACB-10/3-L-5.0PUR M8	10	3	5	-	LED	183.73	169.14

