

# Mini-DIN and DIN Connectors

## KOBICONN MINI-DIN CONNECTORS SHIELDED/ UNSHIELDED

### Features:

- Compact miniature design
- Ideal for I/O connector applications
- Versatile right angle PCB mounting
- Available 3-9 contact positions

### Specifications:

- Voltage rating: 100VAC
- Current rating: 1A
- Insulation resistance: 50MΩ
- Breakdown voltage: 250VAC
- Contact resistance: 30mΩ

### PCB Unshielded Receptacles

For quantities greater than listed, call for quote.

MOUSER STOCK NO.	Fig.	Contact Positions	Price Each			
			1	10	100	500
161-2203	A	3 pin	.99	.83	.76	.69
161-2204	A	4 pin	1.19	.91	.83	.75
161-2206	A	6 pin	1.19	.99	.90	.82
161-2208	A	8 pin	1.38	1.06	.97	.88

### PCB Shielded Receptacles

For quantities greater than listed, call for quote.

MOUSER STOCK NO.	Fig.	Contact Positions	Price Each			
			1	10	100	500
161-2303	B	3 pin	1.10	.93	.84	.77
161-2304	B	4 pin	1.33	1.03	.93	.85
161-2306	B	6 pin	1.52	1.17	1.07	.97
161-2308	B	8 pin	1.48	1.14	1.03	.94

### Panel Mount Unshielded Receptacles

For quantities greater than listed, call for quote.

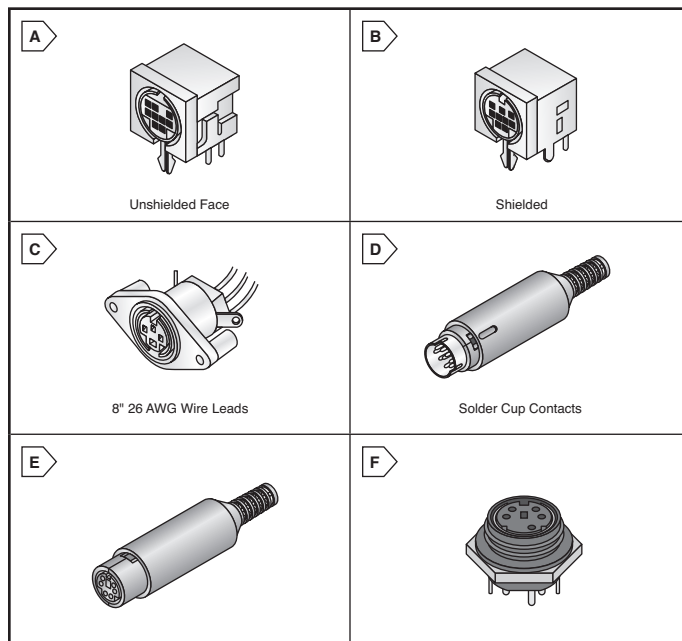
MOUSER STOCK NO.	Fig.	Contact Positions	Price Each			
			1	10	100	500
161-2103	C	3 pin	2.30	1.77	1.61	1.46
161-2104	C	4 pin	2.47	1.90	1.73	1.57
161-2105	C	5 pin	2.83	1.83	1.67	1.51
161-2106	C	6 pin	2.48	1.90	1.73	1.57
161-2108	C	8 pin	2.61	2.01	1.83	1.67

### Plugs

- Solder cup
- 6 piece assembly

For quantities greater than listed, call for quote.

MOUSER STOCK NO.	Fig.	Contact Positions	Price Each			
			1	10	100	500
171-2603	D	3 pin	1.01	.87	.69	.62
171-2604	D	4 pin	1.23	.95	.86	.78
171-2606	D	6 pin	1.36	1.04	.95	.86
171-2608	D	8 pin	1.49	1.14	1.04	.95
171-2609	D	9 pin	2.09	1.61	1.46	1.33



### Receptacles

For quantities greater than listed, call for quote.

MOUSER STOCK NO.	Fig.	Contact Positions	Price Each			
			1	10	100	500
161-2603	E	3 pin	1.18	.95	.82	.75
161-2604	E	4 pin	1.31	1.01	.92	.833
161-2606	E	6 pin	1.36	1.05	.95	.87
161-2608	E	8 pin	1.38	1.06	.96	.88
161-2609	E	9 pin	1.58	1.38	1.07	.98

### Panel Mount Mini-DIN Receptacles

For quantities greater than listed, call for quote.

MOUSER STOCK NO.	Fig.	Contact Positions	Price Each			
			1	10	100	500
161-381/4-E	F	4 pin	2.95	2.27	2.06	1.87
161-381/6-E	F	6 pin	3.34	2.57	2.34	2.13
161-381/8-E	F	8 pin	3.74	2.88	2.62	2.38

## KOBICONN DIN CONNECTORS

### DIN Plugs

For quantities greater than listed, call for quote.

MOUSER STOCK NO.	Fig.	Description	Degrees of Arc	Color	Price Each			
					1	10	100	500
171-0275	A	5 pin with strain relief	180°	Black	1.04	.80	.73	.66
171-0276	A	6 pin with strain relief	240°	Black	1.05	.81	.74	.67
171-0278	A	8 pin with strain relief	270°	Black	.74	.58	.52	.47
171-0288	A	8 pin with strain relief	270°	Gray	.74	.58	.52	.47
17DN100-EX	B	5 pin with strain relief	180°	Gray	1.85	1.42	1.29	1.17
17DN101-EX	B	5 pin with strain relief	180°	Black	1.85	1.42	1.29	1.17
17PP048-EX	B	6 pin with strain relief	240°	Gray	1.98	1.52	1.38	1.25

### DIN Receptacles

For quantities greater than listed, call for quote.

MOUSER STOCK NO.	Fig.	Description	Degrees of Arc	Color	Price Each			
					1	10	100	500
161-0003-E	C	3 pin metal body	180°	-	.85	.64	.58	.53
161-0005-E	C	5 pin metal body	180°	-	.85	.64	.58	.53
161-0006-E	C	6 pin metal body	240°	-	1.10	.84	.76	.69
16DN100	C	5 pin metal body	180°	-	1.53	1.18	1.07	.97
16PJ224-E	C	6 pin metal body	240°	-	2.04	1.57	1.43	1.30

### PCB DIN Receptacles

\*: Mates with 3 or 5 pins

For quantities greater than listed, call for quote.

MOUSER STOCK NO.	Fig.	Description	Degrees of Arc	Color	Price Each			
					1	10	100	500
* 161-0504-E	D	5 pin unshielded	180°	-	.98	.81	.65	.59
* 161-0505-E	E	5 pin shielded	180°	-	1.11	.92	.76	.69
* 161-0507-E	D	8 pin unshielded	270°	-	1.69	1.30	1.18	1.08
* 161-0508-E	E	8 pin shielded	270°	-	1.66	1.27	1.15	1.05

## NEUTRIK CIRCULAR DIN CONNECTORS

For quantities greater than listed, call for quote.

MOUSER STOCK NO.	Neutrik Part No.	Fig.	Description	Contacts	Price Each		
					1	10	25
568-NYS321	NYS321	F	3 pin plug, Nickel shell	Silver	1.32	1.16	1.07
568-NYS322	NYS322	F	5 pin plug, Nickel shell	Silver	1.36	1.23	1.13
568-NYS323	NYS323	F	7 pin plug, Nickel shell	Silver	1.45	1.35	1.24
568-NYS324	NYS324	G	3 pin jack, Nickel shell	Silver	.55	.486	.451
568-NYS325	NYS325	G	5 pin jack, Nickel shell	Silver	.66	.576	.535
568-NYS326	NYS326	G	7 pin jack, Nickel shell	Silver	.72	.657	.604

