

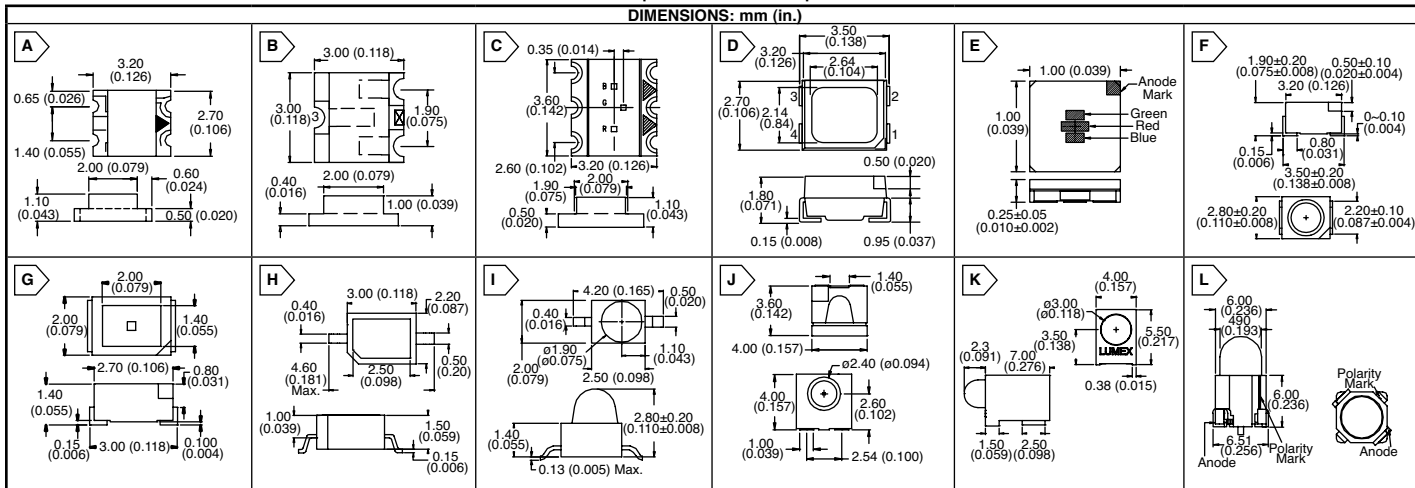
LUMEX SMD LEDs

This product is RoHS compliant.



LED Indication

Lumex



LUMEX SURFACE MOUNT LEDs

For quantities greater than listed, call for quote.

MOUSER STOCK NO.	Lumex Part No.	Fig.	Color		Peak Wavelength (nm)	Vf (V) Typ.	If (mA) Max.	IO mcd	Viewing Angle	Price Each			
			LED	Lens						1	100	500	1000
1210 - Dual Color													
696-SMLLX1210SRSRC	SML-LX1210SRSRC-TR	A	Sup. Red/Sup. Red	Water Clear	660	1.7	30	15	160°	.64	.48	.40	.36
696-SML-LX1210IGC	SML-LX1210IGC-TR	A	Red/Green	Water Clear	635/565	2.0/2.2	25	10	160°	.29	.25	.212	.191
696-SML-LX1210YGC	SML-LX1210YGC-TR	A	Yellow/Green	Water Clear	585/565	2.1/2.2	25	10	160°	.29	.25	.212	.191
696-SML-LX1210GGC	SML-LX1210GGC-TR	A	Green/Green	Water Clear	565/565	2.2	25	10	160°	.41	.302	.256	.231
696-SMLLX1210SRSGC	SML-LX1210SRSGC-TR	A	Red/Green	Water Clear	660/565	1.8/2.2	30/25	15/10	160°	.57	.43	.38	.36
696-SML-LX1210IIC	SML-LX1210IIC-TR	A	Red/Red	Water Clear	635	2	25	10	160°	.37	.32	.27	.243
SOT-23													
696-SML-LX15SRC	SML-LX15SRC-TR	B	Super Red	Water Clear	660	1.7	30	20	140°	.49	.42	.352	.35
696-SML-LX15IC	SML-LX15IC-TR	B	Red	Water Clear	635	2	30	10	140°	.52	.39	.327	.29
696-SML-LX15SYC	SML-LX15SYC-TR	B	Super Yellow	Water Clear	590	2.1	30	60	140°	.56	.49	.42	.35
696-SML-LX15YC	SML-LX15YC-TR	B	Yellow	Water Clear	585	2.1	30	10	140°	.52	.39	.327	.29
696-SML-LX15SUGC	SML-LX15SUGC-TR	B	Super Ultra Green	Water Clear	574	2.2	25	45	140°	.58	.49	.42	.35
696-SML-LX15GC	SML-LX15GC-TR	B	Green	Water Clear	565	2.1	25	10	140°	.52	.45	.39	.32
SOT-23 Reverse Polarity													
696-SML-LX15IC-RP	SML-LX15IC-RP-TR	B	Red	Water Clear	635	2	30	10	140°	.52	.39	.327	.29
696-SML-LX15GC-RP	SML-LX15GC-RP-TR	B	Green	Water Clear	565	2.1	25	10	140°	.45	.39	.327	.29
696-SMLLX15SUGC-RP	SML-LX15SUGC-RP-TR	B	Green	Water Clear	574	2.2	25	45	140°	.58	.43	.362	.33
RGB Full Spectrum													
696-LX3632SISUGSBC	SML-LX3632SISUGSBC	C	RGB	Water Clear	660/574/470	2.0/2.2/3.5	25/25/30	110/60/60	120°	2.86	1.61	1.30	1.26
696-LX2835SISUGSBC	SML-LX2835SISUGSBC	D	RGB	Water Clear	636/574/430	2.0/2.2/3.5	25/25/30	80/80/80	120°	2.42	1.58	1.27	1.02
696-LX0404SIUGSBC	SML-LX0404SIUGSBC	E	RGB	Water Clear	632/518/465	---	30/25/10	30/40/20	120°	.73	.607	.546	.481
2.8mm x 3.2mm													
696-SML-LX2832SRC	SML-LX2832SRC-TR	F	Super Red	Water Clear	660	1.7	30	100	120°	.72	.621	.517	.414
696-SML-LX2832IC	SML-LX2832IC-TR	F	Red	Water Clear	635	2	30	25	120°	.56	.48	.40	.333
696-SML-LX2832YC	SML-LX2832YC-TR	F	Yellow	Water Clear	585	2.1	30	15	120°	.56	.48	.40	.321
696-SML-LX2832GC	SML-LX2832GC-TR	F	Green	Water Clear	565	2.1	25	25	120°	.64	.48	.40	.333
696-SML-LX2832USBC	SML-LX2832USBC-TR	F	Ultra Super Blue	Water Clear	470	3.5	30	60	120°	3.91	2.92	2.43	2.00
696-SML-LX2832SIC	SML-LX2832SIC-TR	F	Super Intensity Red	Water Clear	636	2	30	250	120°	.63	.54	.45	.35
696-SML-LX2832SOC	SML-LX2832SOC-TR	F	Super Orange	Water Clear	610	2	30	300	120°	.72	.54	.452	.38
696-SML-LX2832SYC	SML-LX2832SYC-TR	F	Super Yellow	Water Clear	595	2	30	80	120°	.84	.726	.608	.47
696-SML-LX2832SUGC	SML-LX2832SUGC-TR	F	Super Ultra Green	Water Clear	574	2.2	25	150	120°	.63	.54	.452	.35
2mm x 3mm													
696-SML-LX23USBC	SML-LX23USBC-TR	G	Ultra Super Blue	Water Clear	470	3.5	30	60	90°	2.46	1.84	1.53	1.02
696-SML-LX23SIC	SML-LX23SIC-TR	G	Super Intensity Red	Water Clear	636	2	30	300	90°	.84	.72	.60	.52
696-SML-LX23SOC	SML-LX23SOC-TR	G	Super Orange	Water Clear	610	2.45	30	300	90°	.92	.80	.69	.57
1.7mm x 2.5mm													
696-SSL-LXA3025IGC	SSL-LXA3025IGC-TR	H	Red/Green	Water Clear	635/565	2.0/2.1	30/25	12/20	130°	.72	.59	.499	.378
696-SSL-LXA3025YGC	SSL-LXA3025YGC-TR	H	Yellow/Green	Water Clear	585/565	2.1	30/25	12	130°	1.08	.81	.67	.55
2mm x 2.5mm Gull Wing													
696-SSL-LXA228SIC	SSL-LXA228SIC-TR11	I	Super Intensity Red	Water Clear	632	2	30	475	50°	.80	.70	.60	.50
696-SSL-LXA228SOC	SSL-LXA228SOC-TR11	I	Super Orange	Water Clear	610	2	30	700	25°	.80	.70	.60	.50
696-SSL-LXA228SYC	SSL-LXA228SYC-TR11	I	Super Yellow	Water Clear	590	2	30	300	25°	.69	.518	.433	.338
696-SSL-LXA228SUGC	SSL-LXA228SUGC-TR11	I	Green	Water Clear	574	2.2	30	200	30°	.52	.45	.39	.32
3.6 x 4 mm Right Angle													
696-SML-LXR44SRC	SML-LXR44SRC-TR	J	Super Red	Water Clear	660	1.7	30	80	90°	.59	.51	.283	.256
696-SML-LXR44IC	SML-LXR44IC-TR	J	Red	Water Clear	635	2	30	25	90°	.46	.39	.22	.199
696-SML-LXR44YC	SML-LXR44YC-TR	J	Yellow	Water Clear	585	2.1	30	9	90°	.59	.504	.284	.257
696-SML-LXR44GC	SML-LXR44GC-TR	J	Green	Water Clear	565	2.2	25	25	90°	.38	.325	.277	.229
T1 (3mm) Right Angle													
696-SSF-LXH305ID	SSF-LXH305ID-TR	K	Red	Yellow Diffused	635	2	30	40	60°	.66	.57	.475	.434
696-SSF-LXH305YD	SSF-LXH305YD-TR	K	Yellow	Red Diffused	585	2.1	30	30	60°	.76	.66	.57	.47
696-SSF-LXH305GD	SSF-LXH305GD-TR	K	Green	Green Diffused	565	2.2	25	30	60°	.76	.57	.475	.335
696-SSF-LXH305SBD	SSF-LXH305SBD-TR	K	Ultra Super Blue	Blue Diffused	470	3.5	30	80	60°	5.04	4.32	3.60	2.38
696-SSF-LXH305SID	SSF-LXH305SID-TR	K	Super Intensity Red	Red Diffused	636	2	30	100	60°	2.46	2.15	1.85	1.53
696-SSF-LXH305SYD	SSF-LXH305SYD-TR	K	Super Yellow	Yellow Diffused	590	2.1	30	250	60°	2.46	2.15	1.85	1.53
T1 3/4 (5mm) OctoLED TM SMD LEDs													
696-H1505SICTR	SML-H1505SIC-TR	L	Red	Water Clear	635	2	20	700	60°	1.01	.48	.434	.38
696-H1505SOCTR	SML-H1505SOC-TR	L	Amber	Water Clear	610	2	20	1500	68°	1.39	.664	.605	.528
696-H1505SYCTR	SML-H1505SYC-TR	L	Yellow	Water Clear	590	2	20	750	60°	1.01	.48	.434	.384
696-H1505SUGCTR	SML-H1505SUGC-TR	L	Green	Water Clear	575	2.2	20	2005	68°	1.39	.664	.605	.528
696-H1505UPGCTR	SML-H1505UPGC-TR	L	Pure Green	Water Clear	525	3.4	20	7000	45°	1.64	1.40	.709	.627
696-H1505USBCTR	SML-H1505USBC-TR	L	Blue	Water Clear	470	3.4	20	2500	40°	1.67	1.42	.714	.626
696-H1505UWCTR	SML-H1505UWC-TR	L	White	Water Clear	-	3.3	20	14000	30°	1.10	.846	.762	.668
696-H1505SIUGUBCTR	SML-H1505SIUGUBCTR	L	RBG Full Color	Water Clear	635/525/470	2/3.4/3.4	20	1100/600/2200	70°	2.38	1.13	1.02	.902
696-H1505SIUGUBWTR	SML-H1505SIUGUBWTR	L	RBG Full Color	Milky White	635/525/470	2/3.4/3.4	20	1100/600/2200	60°	2.38	1.13	1.02	.902