

CONXALL Micro-Con-X® and Mini-Con-X® Series

conxall
Harsh Environment Connectivity Solutions
AHEICO Company

FIELD INSTALLABLE CONNECTORS

Low cost Standard connectors for Industrial and Marine Applications

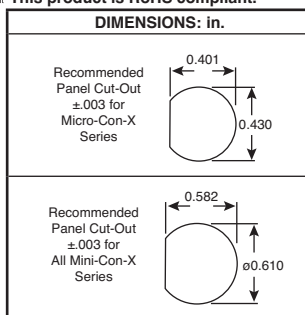
The all plastic connector is corrosion resistant, non-conductive and withstands substantial abuse, hostile environments, and heavy impacts that would otherwise cause metal connectors to corrode, deform or become electrically conductive and thus become unusable or unsafe.

Features:

- Solder Cup Termination
- Corrosion resistant and non-conductive connectors
- Suitable for use in hostile environments
- Coupling rings have overriding locking feature to prevent loosening or separation of connector
- RoHS compliance per Conxall documentation
- UL Recognized File # E138878-250V
- CSA Certified File # LR89277-600V
- Cable OD Range Suffix:
311 - .09" - .14";
315 - .15" - .17";
318 - .18" - .20"
- 3DC - Daisy Chain grommet (.125", .188", .250")

Specifications:

- Connector body and Backshell: Black Nylon
- Connector: Gold over Nickel
- Grommet: Black Santoprene Rubber
- Voltage: 600V
- Durability: Minimum 300 mate/unmate cycles w/out mechanical or electrical failure
- Temperature Rating:
-55°C to +125°C (-67°F to +257°F)
- Watertight: Up to IP67/NEMA 6P



Micro-Con-X® Subminiature Series

Contact size #20; #20-24 AWG *Amperage is limited also by wire specifications. For quantities greater than listed, call for quote.

MOUSER STOCK NO.	Conxall Part No.	Fig.	No. of Contacts	Contact Type	Contact Rating*	Dimension: in.		Price Each		
						A	B	1	10	25
Cable End										
502-16282-2PG-315	16282-2PG-315	A	2	Pin	7.5A	1.290	0.530	4.06	3.73	3.38
502-16282-2SG-311	16282-2SG-311	B	2	Socket	7.5A	1.290	0.530	4.51	3.93	3.59
502-16282-2SG-315	16282-2SG-315	B	2	Socket	7.5A	1.290	0.530	5.35	4.42	4.01
502-16282-2SG-318	16282-2SG-318	B	2	Socket	7.5A	1.290	0.530	5.30	4.96	4.48
502-16282-3PG-315	16282-3PG-315	A	3	Pin	7.5A	1.290	0.530	4.66	3.90	3.55
502-16282-3SG-315	16282-3SG-315	B	3	Socket	7.5A	1.290	0.530	6.42	4.82	4.40
Panel Mount (with hex nut and flanged gasket)										
502-17282-2PG-300	17282-2PG-300	C	2	Pin	7.5A	0.715	0.715	2.97	2.51	2.30
502-17282-2SG-300	17282-2SG-300	D	2	Socket	7.5A	0.715	0.715	4.03	3.21	2.93
502-17282-3PG-300	17282-3PG-300	C	3	Pin	7.5A	0.715	0.715	4.12	3.07	2.83
502-17282-3SG-300	17282-3SG-300	D	3	Socket	7.5A	0.715	0.72	4.63	3.99	3.64
502-16295	16295	E	-	Dustcap	-	-	-	.97	.72	.664
Cable to Cable										
502-18282-2PG-315	18282-2PG-315	F	2	Pin	7.5A	1.320	0.500	3.85	3.54	3.33
502-18282-2SG-315	18282-2SG-315	G	2	Socket	7.5A	1.320	0.500	4.76	4.27	4.06
502-18282-3PG-315	18282-3PG-315	F	3	Pin	7.5A	1.320	0.500	4.70	4.26	3.90
502-18282-3SG-315	18282-3SG-315	G	3	Socket	7.5A	1.320	0.500	6.32	5.95	5.62

Mini-Con-X® Series

Contact size #20; #20-24 AWG *Amperage is limited also by wire specifications. For quantities greater than listed, call for quote.

MOUSER STOCK NO.	Conxall Part No.	Fig.	No. of Contacts	Contact Type	Contact Rating*	Dimension: in.		Price Each		
						A	B	1	10	25
Cable End										
3DC=Daisy chain grommet with 3 I.D.'s (.125, .188, .250)										
502-6282-2PG-3DC	6282-2PG-3DC	A	2	Pin	7.5A	1.315	0.715	4.99	3.82	3.50
502-6282-2SG-3DC	6282-2SG-3DC	B	2	Socket	7.5A	1.315	0.715	5.94	4.53	4.16
502-6282-3PG-3DC	6282-3PG-3DC	A	3	Pin	7.5A	1.315	0.715	5.80	4.41	4.07
502-6282-3SG-3DC	6282-3SG-3DC	B	3	Socket	7.5A	1.315	0.715	7.09	5.37	4.93
502-6282-4PG-3DC	6282-4PG-3DC	A	4	Pin	5.6A	1.315	0.715	6.52	4.95	4.57
502-6282-4SG-3DC	6282-4SG-3DC	B	4	Socket	5.6A	1.315	0.715	8.21	6.23	5.72
502-6282-5PG-3DC	6282-5PG-3DC	A	5	Pin	5.6A	1.315	0.715	7.28	5.52	5.09
502-6282-5SG-3DC	6282-5SG-3DC	B	5	Socket	5.6A	1.315	0.715	9.31	7.06	6.49
502-6282-6PG-3DC	6282-6PG-3DC	A	6	Pin	5.6A	1.315	0.715	7.96	6.04	5.55
502-6282-6SG-3DC	6282-6SG-3DC	B	6	Socket	5.6A	1.315	0.715	10.43	7.86	7.21
Panel Mount (with Hex Nut and Flanged Gasket)										
502-7282-2PG-300	7282-2PG-300	C	2	Pin	7.5A	0.675	0.924	3.41	2.74	2.33
502-7282-2SG-300	7282-2SG-300	D	2	Socket	7.5A	0.675	0.924	3.36	2.87	2.62
502-7282-3PG-300	7282-3PG-300	C	3	Pin	7.5A	0.675	0.924	4.14	3.10	2.85
502-7282-3SG-300	7282-3SG-300	D	3	Socket	7.5A	0.675	0.924	5.07	3.81	3.49
502-7282-4PG-300	7282-4PG-300	C	4	Pin	5.6A	0.675	0.924	4.90	3.66	3.35
502-7282-4SG-300	7282-4SG-300	D	4	Socket	5.6A	0.675	0.924	6.06	4.54	4.15
502-7282-5PG-300	7282-5PG-300	C	5	Pin	5.6A	0.675	0.924	5.63	4.20	3.85
502-7282-5SG-300	7282-5SG-300	D	5	Socket	5.6A	0.675	0.924	7.01	5.25	4.82
502-7282-6PG-300	7282-6PG-300	C	6	Pin	5.6A	0.675	0.924	6.32	4.74	4.34
502-7282-6SG-300	7282-6SG-300	D	6	Socket	5.6A	0.675	0.924	7.03	6.02	5.51
502-6295	6295	E	-	Dustcap	-	-	-	.89	.79	.71
Cable to Cable										
3DC=Daisy chain grommet with 3 I.D.'s (.125, .188, .250)										
502-8282-2PG-3DC	8282-2PG-3DC	F	2	Pin	7.5A	1.395	0.625	5.42	4.13	3.81
502-8282-2SG-3DC	8282-2SG-3DC	G	2	Socket	7.5A	1.395	0.625	6.07	4.62	4.26
502-8282-3PG-3DC	8282-3PG-3DC	F	3	Pin	7.5A	1.395	0.625	5.95	4.52	4.16
502-8282-3SG-3DC	8282-3SG-3DC	G	3	Socket	7.5A	1.395	0.625	7.28	5.52	5.09
502-8282-4PG-3DC	8282-4PG-3DC	F	4	Pin	5.6A	1.395	0.625	7.00	5.30	4.90
502-8282-4SG-3DC	8282-4SG-3DC	G	4	Socket	5.6A	1.395	0.625	7.98	6.04	5.55
502-8282-5PG-3DC	8282-5PG-3DC	F	5	Pin	5.6A	1.395	0.625	7.70	5.85	5.39
502-8282-5SG-3DC	8282-5SG-3DC	G	5	Socket	5.6A	1.395	0.625	9.46	7.15	6.58
502-8282-6PG-3DC	8282-6PG-3DC	F	6	Pin	5.6A	1.395	0.625	8.41	6.37	5.86
502-8282-6SG-3DC	8282-6SG-3DC	G	6	Socket	5.6A	1.395	0.625	10.52	7.96	7.32

Mini-Con-X® Shielded Series

Features:

- Protects circuits from EMI and RF interference
- Rugged machined metal housing and construction
- Scoop-proof connector design
- Same panel cutout as MINI-CON-X®
- Suitable for use in hostile environments
- RoHS compliant per Conxall documentation

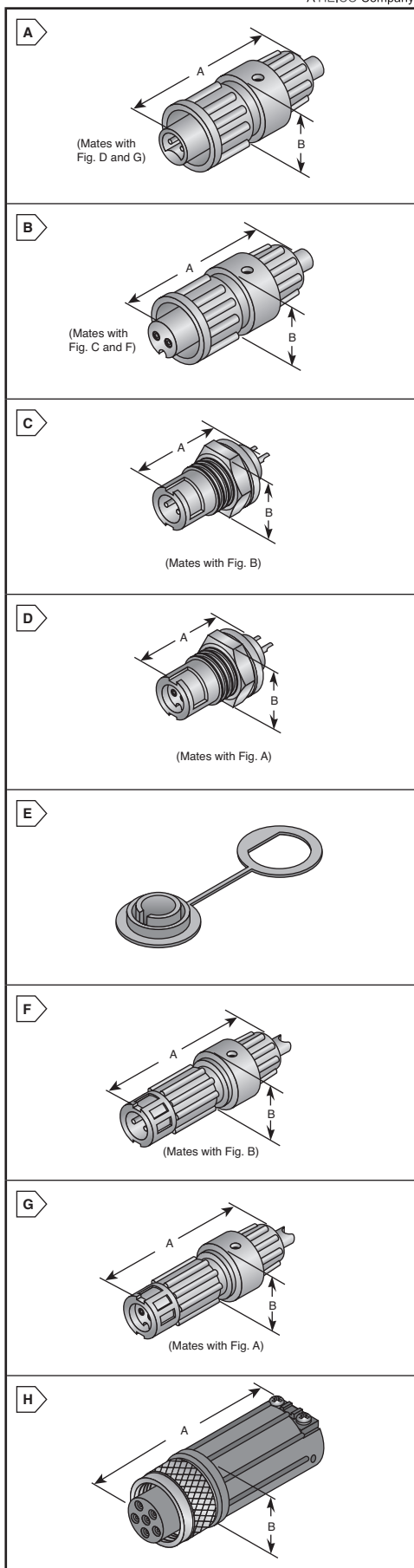
Specifications:

- Panel Shell, Cable Housing and Coupling Nuts: Nickel plated copper alloy
- Backshell and Strap: G.F. Nylon
- Operational Temperature limits: -40°C (-40°F) to +65°C (+149°F)
- Harsh Environment IP66/IP68, Shielded

*Amperage is limited also by wire specifications.

For quantities greater than listed, call for quote.

MOUSER STOCK NO.	Conxall Part No.	Fig.	No. of Contacts	Contact Type	Contact Size	Contact Rating	Dimension: in.		Price Each		
							A	B	1	10	25
Cable End											
502-SF6282-2PG-520	SF6282-2PG-520	H	2	Pin	20	7.5A	1.78	0.76	17.56	13.17	12.02
502-SF6282-2SG-520	SF6282-2SG-520	H	2	Socket	20	7.5A	1.78	0.76	18.83	14.12	12.90
502-SF6382-2PG-520	SF6382-2PG-520	H	2	Pin	16	13A	1.78	0.76	18.26	13.69	12.50
502-SF6382-2SG-520	SF6382-2SG-520	H	2	Socket	16	13A	1.78	0.76	19.69	14.04	13.48
502-SF6282-3PG-520	SF6282-3PG-520	H	3	Pin	20	7.5A	1.78	0.76	18.40	13.80	12.59
502-SF6282-3SG-520	SF6282-3SG-520	H	3	Socket	20	7.5A	1.78	0.76	20.09	15.07	13.76
502-SF6382-3PG-520	SF6382-3PG-520	H	3	Pin	16	13A	1.78	0.76	20.98	15.73	14.36
502-SF6382-3SG-520	SF6382-3SG-520	H	3	Socket	16	13A	1.78	0.76	22.11	16.59	15.14
502-SF6282-4PG-520	SF6282-4PG-520	H	4	Pin	20	5.6A	1.78	0.76	18.33	13.74	12.55



Conxall Circular Connectors