

CONXALL Micro-Con-X® Series

conxall
Harsh Environment Connectivity Solutions
A HEICO Company

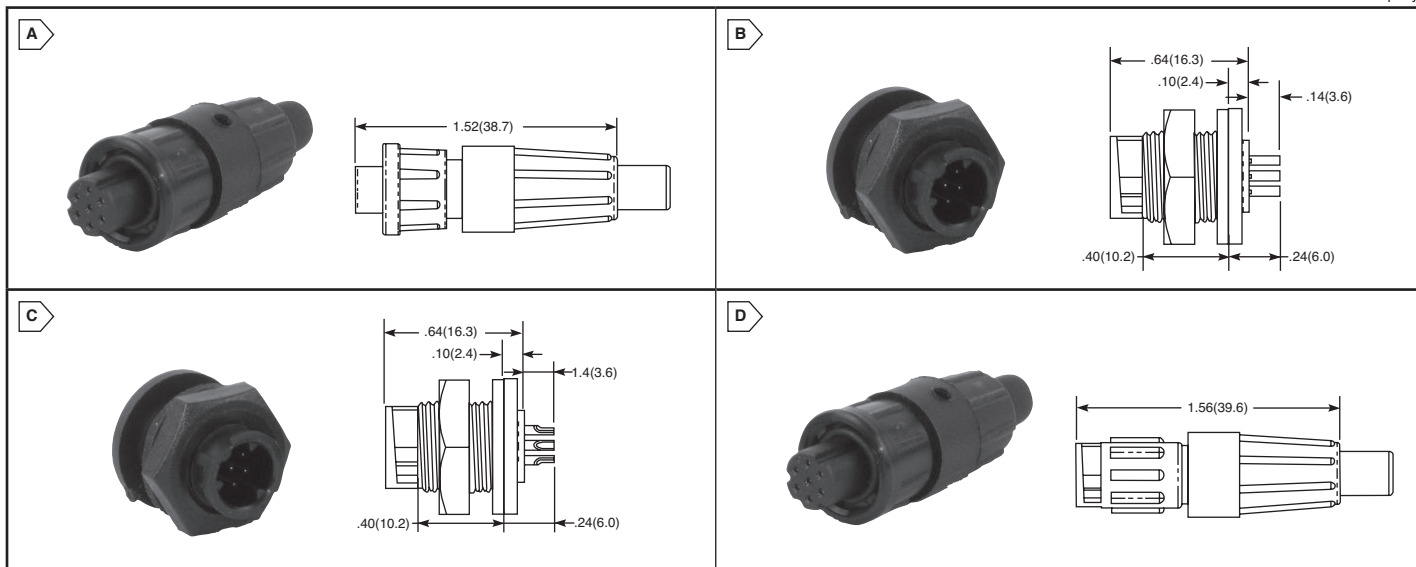
NEW FROM CONXALL

Circular Connectors

Conxall

NEW FROM CONXALL

NEW FROM CONXALL



MICRO-CON-X® SERIES CONNECTORS

Features:

- Up to 7 contacts in a compact design
- IP-67 rating
- IP-68 overmolded cable assemblies
- All plastic design is light weight
- Variety of standard options to meet all design specifications
- Custom cable assemblies available

Applications:

- Instrumentation
- Medical Equipment
- Lighting
- GPS
- Data Acquisition
- General Industrial Electronic Applications

Specifications:

- Rating: 3.0 thru 7.5A, 600V
- Conductor Size: 20 thru 24AWG
- Configuration: 2 and 3 #20 Contacts

Certification:

- UL Recognized File #E150822 - 600V AC/DC
- CSA Certified File #181200 - 600V
- U.L. Temperature 75°C max.
- Not for current interruption

SOCKET TYPE (FEMALE)

Cable Mount

For quantities greater than listed, call for quote.

MOUSER STOCK NO.	Conxall Part No.	Fig.	No. of Contacts	Contact Size	Price Each			
					1	10	25	50
Crimp								
502-16880-4SG-522	16880-4SG-522	A	4	22	5.61	4.21	3.84	3.77
502-16980-5SG-522	16980-5SG-522	A	5	26	6.27	4.70	4.30	4.15
502-16980-6SG-522	16980-6SG-522	A	6	26	6.93	5.20	4.75	4.64
502-16980-7SG-522	16980-7SG-522	A	7	26	7.59	5.69	5.20	5.14
Solder								
502-16882-4SG-522	16882-4SG-522	A	4	22	7.59	5.69	5.20	5.09
502-16982-5SG-522	16982-5SG-522	A	5	26	8.76	6.56	6.00	5.88
502-16982-6SG-522	16982-6SG-522	A	6	26	9.93	7.44	6.80	6.70
502-16982-7SG-522	16982-7SG-522	A	7	26	11.09	8.31	7.60	7.52

PIN TYPE (MALE)

Cable Mount

For quantities greater than listed, call for quote.

MOUSER STOCK NO.	Conxall Part No.	Fig.	No. of Contacts	Contact Size	Price Each			
					1	10	25	50
Crimp								
502-16880-4PG-522	16880-4PG-522	A	4	22	4.49	3.36	3.07	2.96
502-16980-5PG-522	16980-5PG-522	A	5	26	4.93	3.69	3.38	3.22
502-16980-6PG-522	16980-6PG-522	A	6	26	5.37	4.02	3.68	3.59
502-16980-7PG-522	16980-7PG-522	A	7	26	5.81	4.35	3.98	3.89
Solder								
502-16882-4PG-522	16882-4PG-522	A	4	22	6.14	4.60	4.21	4.00
502-16982-5PG-522	16982-5PG-522	A	5	26	6.93	5.20	4.75	4.64
502-16982-6PG-522	16982-6PG-522	A	6	26	7.72	5.79	5.29	5.19
502-16982-7PG-522	16982-7PG-522	A	7	26	8.52	6.38	5.83	5.77

Panel Mount

For quantities greater than listed, call for quote.

MOUSER STOCK NO.	Conxall Part No.	Fig.	No. of Contacts	Contact Size	Price Each			
					1	10	25	50
Crimp								
502-17880-4SG-300	17880-4SG-300	B	4	22	4.56	3.41	3.12	2.99
502-17980-5SG-300	17980-5SG-300	B	5	26	5.22	3.91	3.57	3.41
502-17980-6SG-300	17980-6SG-300	B	6	26	5.88	4.40	4.02	3.89
502-17980-7SG-300	17980-7SG-300	B	7	26	6.54	4.90	4.48	4.32
Solder								
502-17882-4SG-300	17882-4SG-300	C	4	22	6.49	4.87	4.45	4.30
502-17982-5SG-300	17982-5SG-300	C	5	26	7.66	5.74	5.25	5.12
502-17982-6SG-300	17982-6SG-300	C	6	26	8.82	6.61	6.04	5.98
502-17982-7SG-300	17982-7SG-300	C	7	26	9.99	7.49	6.84	6.80

Panel Mount

For quantities greater than listed, call for quote.

MOUSER STOCK NO.	Conxall Part No.	Fig.	No. of Contacts	Contact Size	Price Each			
					1	10	25	50
Crimp								
502-17880-4PG-300	17880-4PG-300	B	4	22	3.30	2.47	2.26	2.15
502-17980-5PG-300	17980-5PG-300	B	5	26	3.76	2.82	2.58	2.45
502-17980-6PG-300	17980-6PG-300	B	6	26	4.23	3.17	2.89	2.76
502-17980-7PG-300	17980-7PG-300	B	7	26	4.69	3.51	3.21	3.06
Solder								
502-17882-4PG-300	17882-4PG-300	C	4	22	5.30	3.98	3.63	3.55
502-17982-5PG-300	17982-5PG-300	C	5	26	6.47	4.85	4.43	4.35
502-17982-6PG-300	17982-6PG-300	C	6	26	7.64	5.72	5.23	5.19
502-17982-7PG-300	17982-7PG-300	C	7	26	8.80	6.60	6.03	6.02

Cable to Cable

For quantities greater than listed, call for quote.

MOUSER STOCK NO.	Conxall Part No.	Fig.	No. of Contacts	Contact Size	Price Each			
					1	10	25	50
Crimp								
502-18880-4SG-522	18880-4SG-522	D	4	22	5.47	4.10	3.75	3.62
502-18980-5SG-522	18980-5SG-522	D	5	26	5.90	4.42	4.04	3.95
502-18980-6SG-522	18980-6SG-522	D	6	26	6.52	4.88	4.46	4.38
502-18980-7SG-522	18980-7SG-522	D	7	26	7.14	5.35	4.89	4.81
Solder								
502-18882-4SG-522	18882-4SG-522	D	4	22	7.14	5.35	4.89	4.69
502-18982-5SG-522	18982-5SG-522	D	5	26	8.23	6.17	5.64	5.55
502-18982-6SG-522	18982-6SG-522	D	6	26	9.33	6.99	6.39	6.29
502-18982-7SG-522	18982-7SG-522	D	7	26	10.43	7.81	7.14	7.09

Cable to Cable

For quantities greater than listed, call for quote.

MOUSER STOCK NO.	Conxall Part No.	Fig.	No. of Contacts	Contact Size	Price Each			
					1	10	25	50
Crimp								
502-18880-4PG-522	18880-4PG-522	D	4	22	4.22	3.16	2.89	2.74
502-18980-5PG-522	18980-5PG-522	D	5	26	4.63	3.47	3.17	3.02
502-18980-6PG-522	18980-6PG-522	D	6	26	5.05	3.78	3.46	3.33
502-18980-7PG-522	18980-7PG-522	D	7	26	5.46	4.09	3.74	3.68
Solder								
502-18882-4PG-522	18882-4PG-522	D	4	22	5.77	4.33	3.95	3.78
502-18982-5PG-522	18982-5PG-522	D	5	26	6.52	4.88	4.46	4.35
502-18982-6PG-522	18982-6PG-522	D	6	26	7.26	5.44	4.97	4.85
502-18982-7PG-522	18982-7PG-522	D	7	26	8.01	6.00	5.48	5.40