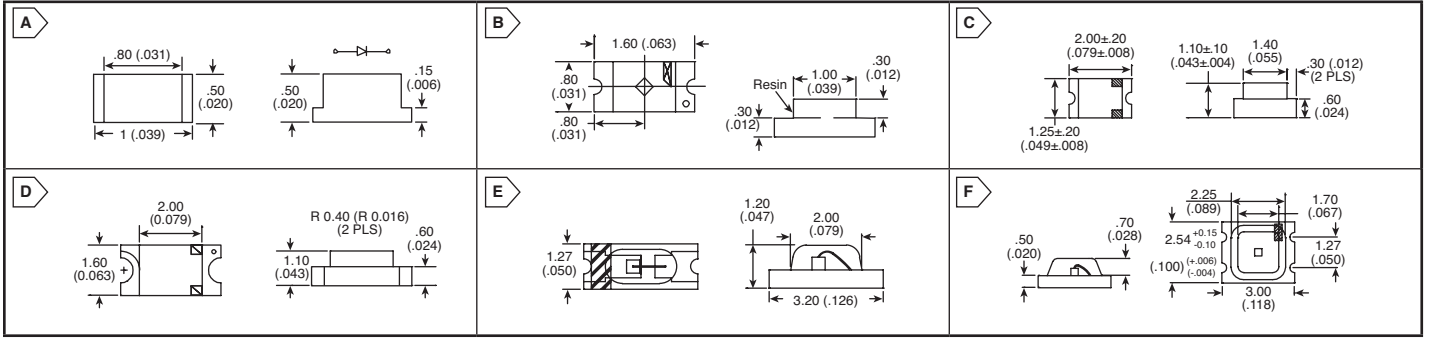


# LUMEX SMD LEDs

RoHS Compliant This product is RoHS compliant.



Lumex LED Indication



DIMENSIONS: mm (in.)

## LUMEX SURFACE MOUNT LEDS

For quantities greater than listed, call for quote.

MOUSER STOCK NO.	Lumex Part No.	Fig.	Color		Peak Wavelength (nm)	IO mcd	Vf (V) Typ.	If (mA) Max.	Viewing Angle	Price Each			
			LED	Lens						1	100	500	1000
<b>0402 High Bright</b>													
696-SML-LX0402SICTR	SML-LX0402SIC-TR	A	Red	Water Clear	636	140	2	20	120°	.35	.30	.252	.23
696-SML-LX0402SOCTR	SML-LX0402SOC-TR	A	Orange	Water Clear	610	120	2	20	120°	.32	.28	.235	.21
696-SML-LX0402SUGCTR	SML-LX0402SUG-TR	A	Green	Water Clear	574	45	2.2	20	120°	.82	.612	.51	.49
696-SML-LX0402UPGCTR	SML-LX0402UPGC-TR	A	Pure Green	Water Clear	525	110	3.5	20	120°	2.65	2.32	1.98	1.67
696-SML-0402USBCTR	SML-LX0402USBC-TR	A	Blue	Water Clear	470	20	3.5	20	120°	1.28	.96	.81	.70
<b>0603</b>													
696-SML-LX0603SRW	SML-LX0603SRW-TR	B	Super Red	White Diffused	660	45	1.8	30	140°	.15	.10	.097	.092
696-SML-LX0603SIW	SML-LX0603SIW-TR	B	Super Intensity Red	White Diffused	636	60	2	30	140°	.34	.27	.251	.237
696-SML-LX0603IW	SML-LX0603IW-TR	B	Red	White Diffused	635	14	2	30	160°	.15	.10	.095	.09
696-SML-LX0603SOW	SML-LX0603SOW-TR	B	Super Orange	White Diffused	610	60	2	30	140°	.34	.27	.251	.247
696-SML-LX0603SYW	SML-LX0603SYW-TR	B	Super Yellow	White Diffused	590	60	2	30	140°	.49	.328	.303	.29
696-SML-LX0603YW	SML-LX0603YW-TR	B	Yellow	White Diffused	585	14	2.1	30	160°	.10	.07	.067	.064
696-SML-LX0603SUGW	SML-LX0603SUGW-TR	B	Super Ultra Green	White Diffused	574	45	2.2	25	140°	.77	.48	.42	.33
696-SML-LX0603GW	SML-LX0603GW-TR	B	Green	White Diffused	565	18	2.2	25	160°	.13	.097	.085	.081
696-SML-LX0603UWDR	SML-LX0603UWD-TR	B	White	White Diffused	- - -	160	3.5	20	140°	1.22	.81	.749	.607
<b>0805</b>													
696-SML-LXT0805SRW	SML-LXT0805SRW-TR	C	Super Red	White Diffused	660	21	1.8	30	140°	.14	.124	.114	.111
696-SML-LX0805SIC	SML-LX0805SIC-TR	C	Super Red	Water Clear	636	60	2	30	140°	.36	.28	.24	.20
696-SML-LXT0805IW	SML-LXT0805IW-TR	C	Red	White Diffused	635	11	2	30	140°	.20	.17	.15	.12
696-SML-LXR85IC	SML-LXR85IC-TR	C	Red	Water Clear	635	12	2	25	130°	.26	.21	.18	.15
696-SML-LX0805SOC	SML-LX0805SOC-TR	C	Super Orange	Water Clear	610	60	2	30	140°	.39	.352	.264	.22
696-SML-LXR85SOC	SML-LXR85SOC-TR	C	Orange	Water Clear	610	75	2	30	160°	.53	.466	.404	.331
696-SML-LXR85SYC	SML-LXR85SYC-TR	C	Yellow	Water Clear	595	50	2	25	130°	.46	.36	.34	.32
696-SML-LXT0805YW	SML-LXT0805YW-TR	C	Yellow	White Diffused	585	10	2.1	30	140°	.14	.095	.09	.087
696-SML-LXR85SUGC	SML-LXR85SUGC-TR	C	Green	Water Clear	574	45	2.2	25	180°	.48	.39	.36	.321
696-SML-LXT0805GW	SML-LXT0805GW-TR	C	Green	White Diffused	565	11	2	30	140°	.14	.10	.09	.083
696-SML-LXT0805SUGW	SML-LXT0805SUGW-TR	C	Green	Water Clear	565	200	2.2	30	30°	1.41	1.17	.94	.79
696-SML-LXR85UPGC	SML-LXR85UPGC-TR	C	Green	Water Clear	525	45	3.5	25	160°	1.65	1.60	1.54	1.50
696-SML-LX0805UPGC	SML-LX0805UPGC-TR	C	Ultra Green	Water Clear	525	45	3.5	30	140°	4.40	3.52	3.25	2.30
696-SML-LX0805USBC	SML-LX0805USBC-TR	C	Super Blue	Water Clear	470	25	3.5	30	140°	3.18	2.12	1.96	1.82
696-SML-LX0805UWCTR	SML-LX0805UWC-TR	C	White	Water Clear	- - -	150	3.5	20	120°	1.10	.93	.82	.74
<b>1206</b>													
696-SML-LX1206SRC	SML-LX1206SRC-TR	D	Super Red	Water Clear	660	15	1.8	30	160°	.18	.138	.115	.103
696-SML-LX1206SRW	SML-LX1206SRW-TR	D	Super Red	White Diffused	660	15	1.8	30	160°	.27	.231	.198	.178
696-SML-LX1206SIC	SML-LX1206SIC-TR	D	Super Intensity Red	Water Clear	636	70	2	30	140°	.24	.183	.152	.137
696-SML-LX1206IC	SML-LX1206IC-TR	D	Red	Water Clear	635	6	2	25	160°	.18	.135	.112	.101
696-SML-LX1206IW	SML-LX1206IW-TR	D	Red	White Diffused	635	6	2	25	160°	.28	.213	.177	.159
696-SML-LX1206SOW	SML-LX1206SOW-TR	D	Super Orange	Water Clear	610	70	2	30	140°	.49	.36	.305	.274
696-SML-LX1206SYC	SML-LX1206SYC-TR	D	Super Yellow	Water Clear	590	70	2	30	140°	.57	.49	.42	.369
696-SML-LX1206YC	SML-LX1206YC-TR	D	Yellow	Water Clear	585	6	2.1	25	160°	.18	.139	.115	.104
696-SML-LX1206SUGC	SML-LX1206SUGC-TR	D	Super Ultra Green	Water Clear	574	45	2.2	25	140°	1.08	.81	.675	.607
696-SML-LX1206GC	SML-LX1206GC-TR	D	Green	Water Clear	565	10	2.2	25	160°	.16	.12	.10	.09
696-SML-LX1206GW	SML-LX1206GW-TR	D	Green	White Diffused	565	10	2.2	25	160°	.27	.204	.17	.153
696-SML-LX1206UPGC	SML-LX1206UPGC-TR	D	Ultra Pure Green	Water Clear	525	45	3.5	25	140°	3.84	3.36	2.88	2.40
696-SML-LX1206USBC	SML-LX1206USBC-TR	D	Ultra Super Blue	Water Clear	470	25	3.5	25	140°	2.46	1.84	1.53	1.38
<b>1.2 mm x 3.2mm</b>													
696-CCL-LX45IT	CCL-LX45IT	E	Red	Red Transparent	635	7.2	2.1	30	180°	1.63	1.21	1.02	.821
696-CCL-LX45YT	CCL-LX45YT	E	Yellow	Yellow Transparent	585	7	2.3	30	180°	1.70	1.27	1.06	.888
696-CCL-LX45GT	CCL-LX45GT	E	Green	Green Transparent	565	7	2.2	30	180°	1.54	1.15	.965	.804
<b>2.5mm x 3mm</b>													
696-SML-LX23SRC	SML-LX23SRC-TR	F	Super Red	Water Clear	660	100	1.8	30	90°	.42	.36	.30	.24
696-CCL-CRS10R	CCL-CRS10R	F	Red	Water Clear	635	4	2	25	180°	.98	.56	.483	.415
696-SML-LX23IC	SML-LX23IC-TR	F	Red	Water Clear	635	20	2	30	120°	.31	.27	.225	.185
696-CCL-CRS10Y	CCL-CRS10Y	F	Yellow	Water Clear	585	8	2.1	30	180°	.98	.708	.595	.517
696-SML-LX23YC	SML-LX23YC-TR	F	Yellow	Water Clear	585	20	2.1	30	120°	.31	.27	.225	.218
696-CCL-CRS10G	CCL-CRS10G	F	Green	Water Clear	565	12	2	25	180°	1.66	1.23	1.04	.901
696-SML-LX23GC	SML-LX23GC-TR	F	Green	Water Clear	565	20	2.1	25	120°	.32	.282	.235	.193