

BULGIN 900 Series Large Buccaneer® Sealed Connectors



This product is RoHS compliant.

900 SERIES LARGE BUCCANEER® ENVIRONMENTALLY SEALED CONNECTORS

Specifications:

- Water and dustproof to IP68 when mated
- Positive locating keyways - cannot be mis-connected
- Compact design
- Easy assembly - no special tools required
- UL, CSA, and VDE approved
- Axial screw terminals
- Current rating: 2, 3, 4, 5, & 7 poles 32A
10 poles 10A
- Voltage rating: 2, 3, 4, & 5 poles 600V,
7 poles 430V, 10 poles 250V
- Contact resistance: <10mΩ initial
- Insulation resistance: >10⁹MΩ @ 500 VDC
- Operating temperature: -40°C to +85°C
- Body material: Polyamide UL94V-0
- Contact material: Machined solid brass, nickel plated
- Cable Diameter: PX0: 13-15mm
PXA: 20-22mm

Flex Cable Connectors

- Mates with in-line flex, panel or flange mounting versions
- Positive, fast acting locking ring - can be turned with a gloved hand
- PXA - strain relief clamp included
- RoHS Compliant per Bulgin documentation

For quantities greater than listed, call for quote.

MOUSER STOCK NO.	Bulgin Part No.	Fig.	Poles	Cable Dia. (mm)	Price Each		
					1	25	50
Plugs							
177-PX0911/02/P	PX0911/02/P	A	2	13-15	17.56	13.75	12.89
177-PX0911/03/P	PX0911/03/P	A	3	13-15	19.94	16.69	15.56
177-PX0911/04/P	PX0911/04/P	A	4	13-15	20.19	16.83	16.29
177-PX0911/05/P	PX0911/05/P	A	5	13-15	23.50	20.08	18.41
177-PXA911/07/P	PXA911/07/P	A	7	20-22	36.75	30.23	28.22
177-PXA911/10/P	PXA911/10/P	A	10	20-22	33.43	26.92	25.24
Sockets							
167-PX0911/02/S	PX0911/02/S	A	2	13-15	15.55	13.20	12.81
167-PX0911/03/S	PX0911/03/S	A	3	13-15	21.40	17.58	16.69
167-PX0911/04/S	PX0911/04/S	A	4	13-15	23.89	19.64	18.33
167-PX0911/05/S	PX0911/05/S	A	5	13-15	25.78	21.26	19.54
167-PXA911/07/S	PXA911/07/S	A	7	20-22	39.53	32.51	30.86
167-PXA911/10/S	PXA911/10/S	A	10	20-22	48.09	44.00	39.23

In-Line Flex Cable Connectors

- Mates with flex cable version
- PXA - strain relief clamp included

For quantities greater than listed, call for quote.

MOUSER STOCK NO.	Bulgin Part No.	Fig.	Poles	Cable Dia. (mm)	Price Each		
					1	25	50
Plugs							
177-PX0921/03/P	PX0921/03/P	B	3	13-15	15.88	13.28	12.60
177-PX0921/04/P	PX0921/04/P	B	4	13-15	17.92	15.00	13.99
177-PXA921/07/P	PXA921/07/P	B	7	20-22	30.32	25.67	24.08
177-PXA921/10/P	PXA921/10/P	B	10	20-22	42.27	38.82	34.48
Sockets							
167-PX0921/02/S	PX0921/02/S	B	2	13-15	14.05	11.81	11.05
167-PX0921/03/S	PX0921/03/S	B	3	13-15	20.40	18.74	16.66
167-PX0921/04/S	PX0921/04/S	B	4	13-15	19.81	16.58	15.46
167-PX0921/05/S	PX0921/05/S	B	5	13-15	22.25	20.51	17.38
167-PXA921/07/S	PXA921/07/S	B	7	20-22	34.90	29.23	27.25
167-PXA921/10/S	PXA921/10/S	B	10	20-22	30.45	29.53	28.65

Panel Mounting Connectors

- Mates with flex cable version
- Anti-rotation key
- 3-7mm panel thickness
- Single hole fixing
- High grade sealing gasket

For quantities greater than listed, call for quote.

MOUSER STOCK NO.	Bulgin Part No.	Fig.	Poles	Cable Dia. (mm)	Price Each		
					1	25	50
Plugs							
177-PX0931/02/P	PX0931/02/P	C	2	13-15	13.13	12.06	10.72
177-PX0931/03/P	PX0931/03/P	C	3	13-15	13.77	11.65	10.94
177-PX0931/04/P	PX0931/04/P	C	4	13-15	18.61	17.09	15.19
177-PX0931/05/P	PX0931/05/P	C	5	13-15	20.04	18.40	16.35
177-PX0931/07/P	PX0931/07/P	C	7	13-15	27.53	23.04	21.48
Sockets							
167-PX0931/02/S	PX0931/02/S	C	2	13-15	12.52	11.77	9.81
167-PX0931/03/S	PX0931/03/S	C	3	13-15	15.22	12.74	12.08
167-PX0931/04/S	PX0931/04/S	C	4	13-15	20.85	19.14	17.02
167-PX0931/05/S	PX0931/05/S	C	5	13-15	20.17	16.59	15.75
167-PX0931/07/S	PX0931/07/S	C	7	13-15	30.29	24.91	23.25
167-PX0931/10/S	PX0931/10/S	C	10	13-15	36.99	30.69	27.74

Flange Mounting Connectors

- Mates with flex cable version
- Supplied with high grade sealing gasket
- Supplied with sealing grommets for panel fixing screw (M6 thread recommended)

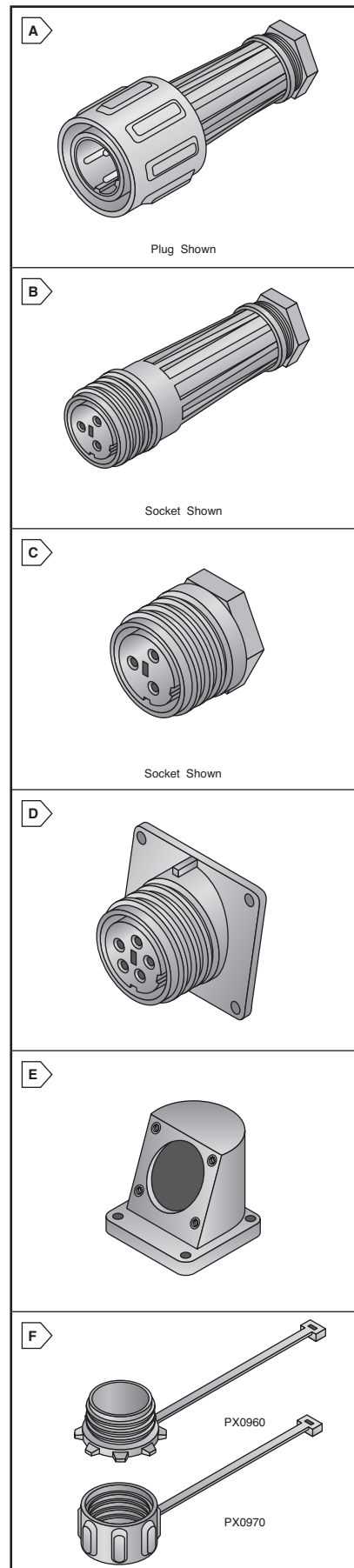
For quantities greater than listed, call for quote.

MOUSER STOCK NO.	Bulgin Part No.	Fig.	Poles	Cable Dia. (mm)	Price Each		
					1	25	50
Plugs							
177-PX0941/03/P	PX0941/03/P	D	3	13-15	23.68	19.82	18.48
177-PX0941/04/P	PX0941/04/P	D	4	13-15	25.78	21.57	20.11
177-PX0941/05/P	PX0941/05/P	D	5	13-15	32.75	30.08	26.72
177-PX0941/10/P	PX0941/10/P	D	10	13-15	41.90	34.27	31.74
Sockets							
167-PX0941/02/S	PX0941/02/S	D	2	13-15	22.47	18.65	17.70
167-PX0941/03/S	PX0941/03/S	D	3	13-15	25.16	23.16	19.63
167-PX0941/04/S	PX0941/04/S	D	4	13-15	27.61	22.70	21.19
167-PX0941/05/S	PX0941/05/S	D	5	13-15	28.38	23.88	22.34
167-PX0941/07/S	PX0941/07/S	D	7	13-15	40.23	33.69	31.40
167-PX0941/10/S	PX0941/10/S	D	10	13-15	43.36	37.81	35.36

900 Series Buccaneer® Accessories

For quantities greater than listed, call for quote.

MOUSER STOCK NO.	Bulgin Part No.	Fig.	Description	Price Each		
				1	25	50
157-PX0950	PX0950	E	Right angle bulkhead adapter	19.32	15.52	14.99
157-PX0960	PX0960	F	Sealing cap for PX0911 & PXA911	3.17	2.76	2.58
157-PX0970	PX0970	F	Sealing cap for use with all other styles	5.07	4.18	3.97
157-PX0980	PX0980	-	Gland pack 7-13mm cable	2.02	1.48	1.28
157-PXA980	PXA980	-	Gland pack 14-20mm cable	2.32	2.04	1.92



Circular Connectors
Bulgin