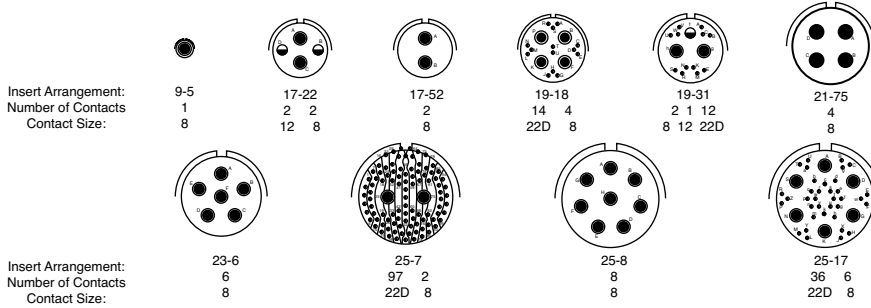


# AMPHENOL HD38999 Connectors

Amphenol®

## HD38999 CONNECTORS WITH QUADRAX CONTACTS



### Features:

- Amphenol's new high density HD38999 design allows for up to 46% more contacts in the same shell as the standard Mil Spec arrangement and meets all of the environmental performance of MIL-DTL-38999 Series III
- The connector allows users to increase the number of contacts without increasing the size of the connector
- The HD38999 is a drop in replacement for standard 38999 connectors, but offers 30% more density

### Electrical Specifications:

- Voltage: 22 AWG: 5.0 AMPS  
24 AWG: 3.0 AMPS  
26 AWG: 2.0 AMPS  
28 AWG: 1.5 AMPS
- Insulation Resistance: 5000 megohms min. @500 VDC 25C
- Dielectric Withstanding Voltage: 1000 VRMS @sea level

### Mechanical Specifications:

- Metallic Shells: Material: Aluminum alloy, Stainless Steel Protection: Electroless Nickel, O.D. Cadmium, Durmalon (Nickel PTFE), Zinc Nickel
- Composite Shells: Thermoplastic Protection: Electroless Nickel, O.D. Cadmium, Durmalon (Nickel PTFE), Zinc Nickel

For quantities greater than listed, call for quote.

MOUSER STOCK NO.	Amphenol Part No.	Fig.	Shell Size and Insert	Number of Contacts	Contact Type	Price Each	
						1	5
<b>Straight Plug</b>							
654-TV06RGQF95SLC	TV06RGQF-9-5S-LC	A	9-5	1	Socket	230.35	213.42
654-TV06RGQF95PLC	TV06RGQF-9-5P-LC	A	9-5	1	Pin	296.07	286.20
654-TV06RQF1722SLC	TV06RQF-17-22S-LC	A	17-22	4	Socket	342.97	331.53
654-TV06RQF1722PLC	TV06RQF-17-22P-LC	A	17-22	4	Pin	277.11	256.75
654-TV06RQW1752PLC	TV06RQW-17-52P-LC	A	17-52	2	Pin	161.31	155.33
654-TV06RQW1918PLC	TV06RQW-19-18P-LC	A	19-18	18	Pin	221.21	213.01
654-TV06RQW1931SLC	TV06RQW-19-31S-LC	A	19-31	15	Socket	279.86	270.53
654-TV06RQW1931PLC	TV06RQW-19-31P-LC	A	19-31	15	Pin	249.94	231.58
654-TV06RQW2175SLC	TV06RQW-21-75S-LC	A	21-75	4	Socket	227.97	220.37
654-TV06RQW2175PLC	TV06RQW-21-75P-LC	A	21-75	4	Pin	215.34	208.17
654-TV06RQW236SLC	TV06RQW-23-6S-LC	A	23-6	6	Socket	249.17	240.87
654-TV06RQW-23-6P-LC	TV06RQW-23-6P-LC	A	23-6	6	Pin	172.96	160.25
654-TV06RQW257PLC	TV06RQW-25-7P-LC	A	25-7	99	Pin	241.21	233.17
654-TV06RQW257SLC	TV06RQW-25-7S-LC	A	25-7	99	Socket	276.76	267.53
654-TV06RQW258PLC	TV06RQW-25-8P-LC	A	25-8	8	Pin	332.66	321.57
654-TV06RQW258SLC	TV06RQW-25-8S-LC	A	25-8	8	Socket	207.30	205.09
654-TV06RQW2517PLC	TV06RQW-25-17P-LC	A	25-17	42	Pin	333.50	309.00
654-TV06RQW2517SLC	TV06RQW-25-17S-LC	A	25-17	42	Socket	319.81	296.32
<b>Jam Nut Receptacle</b>							
654-TV07RGQF95PLC	TV07RGQF-9-5P-LC	B	9-5	1	Pin	243.07	234.97
654-TV07RQW2175PLC	TV07RQW-21-75P-LC	B	21-75	4	Pin	171.66	165.93
654-TV07RQW2175SLC	TV07RQW-21-75S-LC	B	21-75	4	Socket	208.00	201.07
654-TV07RQW258SLC	TV07RQW-25-8S-LC	B	25-8	8	Socket	313.93	303.47
654-TV07RQW258PLC	TV07RQW-25-8P-LC	B	25-8	8	Pin	289.03	279.40
654-TV07RQW2517SLC	TV07RQW-25-17S-LC	B	25-17	42	Socket	292.18	270.72
<b>Wall Mount Receptacle</b>							
654-TVP00RGQF95PLC	TVP00RGQF-9-5P-LC	C	9-5	1	Pin	258.70	239.69
654-TVP00RGQF95SLC	TVP00RGQF-9-5S-LC	C	9-5	1	Socket	251.76	243.37
654-TVP00RQF1722PLC	TVP00RQF-17-22P-LC	C	17-22	4	Pin	236.28	228.40
654-TVP00RQF1722SLC	TVP00RQF-17-22S-LC	C	17-22	4	Socket	215.31	208.13
654-TVP00RQW1752SLC	TVP00RQW-17-52S-LC	C	17-52	2	Socket	194.83	188.33
654-TVP00RQW1918SLC	TVP00RQW-19-18S-LC	C	19-18	18	Socket	231.30	214.31
654-TVP00RQW1931SLC	TVP00RQW-19-31S-LC	C	19-31	15	Socket	230.64	213.70
654-TVP00RQW2175PLC	TVP00RQW-21-75P-LC	C	21-75	4	Socket	200.76	194.07
654-TVP00RQW2175SLC	TVP00RQW-21-75S-LC	C	21-75	4	Pin	180.28	174.27
654-TVP00RQW236PLC	TVP00RQW-23-6P-LC	C	23-6	6	Pin	208.34	201.40
654-TVP00RQW236SLC	TVP00RQW-23-6S-LC	C	23-6	6	Socket	201.17	194.47
654-TVP00RQW257PLC	TVP00RQW-25-7P-LC	C	25-7	99	Pin	214.14	207.00
654-TVP00RQW257SLC	TVP00RQW-25-7S-LC	C	25-7	99	Socket	302.38	292.30
654-TVP00RQW258PLC	TVP00RQW-25-8P-LC	C	25-8	8	Pin	222.64	214.40
654-TVP00RQW258SLC	TVP00RQW-25-8S-LC	C	25-8	8	Socket	257.55	248.97
654-TVP00RQW2517PLC	TVP00RQW-25-17P-LC	C	25-17	42	Socket	289.05	267.82
654-TVP00RQW2517SLC	TVP00RQW-25-17S-LC	C	25-17	42	Socket	310.57	287.76

### Quadrax Contacts

High speed Quadrax contacts consist of an outer contact with four inner contacts spaced to form two 100 or 150 Ohm controlled impedance differential pair. Both contacts, when used in Amphenol MIL-DTL-38999 Series III and ARINC type connectors, provide an excellent alternative for harsh environment applications such as:

- Ethernet 100 Base-T-100 Ohm
- Gigabit Ethernet 1000 Base-T-100 Ohm
- Fibre Channel-150 Ohm
- IEEE1394B FireWire-110 Ohm

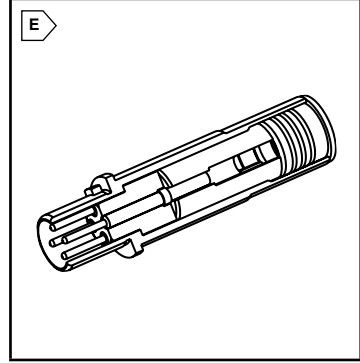
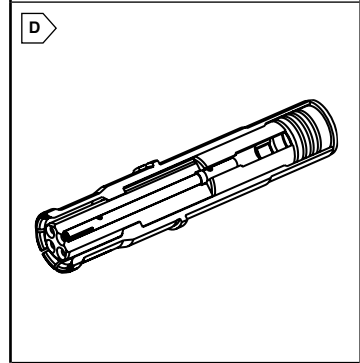
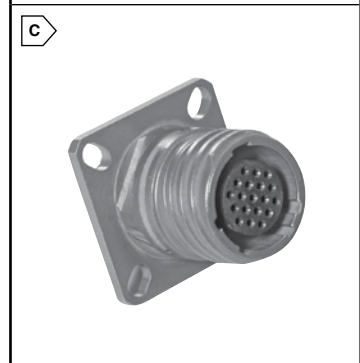
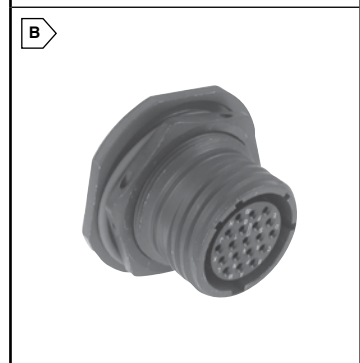
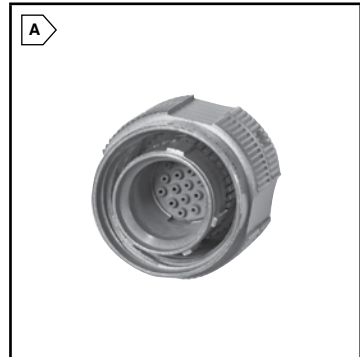
Size 8 pin and socket Quadrax Contacts are gold plated, crimp termination. Amphenol's Quadrax Contacts offer several advantages for high data transfer rates, low power consumption and excellent EMI compatibility.

### Quadrax Size 8 Contact Performance:

- Bandwidth: Up to 3 Gigahertz
- Data Rate: Exceeding 3 Gbits/sec.
- Voltage Rating: 500 Vrms max. @ sea level
- Dielectric Withstanding Voltage: 1000 VAC rms between all inner contacts @ sea level  
500 VAC rms between inner and outer contacts @ sea level

For quantities greater than listed, call for quote.

MOUSER STOCK NO.	Amphenol Part No.	Fig.	Wire Gauge	Type	Contact Type	Price Each	
						1	5
654-21-033385-051	21-033385-051	D	24 AWG	Quadrax	Socket	182.84	167.14
654-21-033450-001	21-033450-001	E	8 AWG	Quadrax	Pin	154.34	149.20
654-21-033451-001	21-033451-001	D	8 AWG	Quadrax	Socket	198.93	192.30
654-21-033387-021	21-033387-021	E	8 AWG	Differential Twinax	Pin	133.37	128.93
654-21-033388-021	21-033388-021	D	8 AWG	Differential Twinax	Socket	198.10	178.29
654-21-033470-001	21-033470-001	E	8 AWG	Quadrax	Pin	176.28	170.40
654-21-033471-001	21-033471-001	D	8 AWG	Quadrax	Socket	249.52	241.20



NEW AT MOUSER NEW AT MOUSER Circular Connectors Amphenol NEW AT MOUSER NEW AT MOUSER