

# AMPHENOL Circular MIL-Spec Connectors **Amphenol**<sup>®</sup>

## MIL-DTL-D38999 SERIES III TV (CONT.)

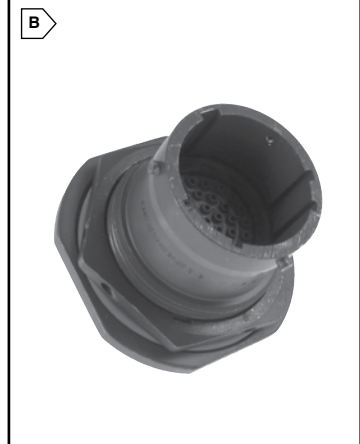
MIL-Qualified to MIL-DTL-38999, Rev. K, the Amphenol<sup>®</sup> Composite Tri-Start Connector offers a lightweight, corrosion resistant connector with the same high performance features as its metal counterpart. The Composite Tri-Start Connector also includes the following features:

- Lightweight: 17-40% weight savings vs. Aluminum; 60-70% weight savings vs. Stainless steel
- Durability - 1500 couplings minimum
- Corrosion Resistance - available in standard MIL-DTL-38999 olive drab cadmium with standing 2000 hours of salt spray exposure.
- Extended Life Contact
- Qualified to BACC63CT and BACC63CU specifications

LC = Less Contacts

For quantities greater than listed, call for quote.

MOUSER STOCK NO.	Amphenol Part No.	Fig.	No. of Contacts	Shell Size & Insert	Contact Type	Price Each			
						1	5	10	25
<b>Straight Plugs</b>									
654-D38999/26WA35PN	D38999/26WA35PN	A	6	9-35	Pin	42.10	40.17	38.85	33.08
654-D38999/26WA35SN	D38999/26WA35SN	A	6	9-35	Socket	46.12	44.01	41.36	34.72
654-D38999/26WA35SNLC	D38999/26WA35SN(LC)	A	6	9-35	Socket	67.89	63.91	58.21	45.18
654-D38999/26WA98PA	D38999/26WA98PA	A	3	9-98	Pin	94.23	91.11	83.91	62.81
654-D38999/26WA98PN	D38999/26WA98PN	A	3	9-98	Pin	106.23	102.11	95.92	82.03
654-D38999/26WA98SN	D38999/26WA98SN	A	3	9-98	Socket	48.62	46.25	43.34	32.69
654-D38999/26WB35PA	D38999/26WB35PA	A	13	11-35	Pin	67.99	63.72	61.51	49.37
654-D38999/26WB35PN	D38999/26WB35PN	A	13	11-35	Pin	47.96	44.70	35.30	32.78
654-D38999/26WB35PNLC	D38999/26WB35PN(LC)	A	13	11-35	Pin	54.59	45.74	37.37	32.53
654-D38999/26WB35SA	D38999/26WB35SA	A	13	11-35	Socket	73.91	69.62	65.84	50.38
654-D38999/26WB35SN	D38999/26WB35SN	A	13	11-35	Socket	71.49	65.54	59.58	53.62
654-38999/26WB35SN-LC	D38999/26WB35SN(LC)	A	13	11-35	Socket	73.87	72.07	70.18	67.87
654-D38999/26WB5PN	D38999/26WB5PN	A	5	11-5	Pin	150.14	142.86	136.44	100.93
654-D38999/26WB5SN	D38999/26WB5SN	A	5	11-5	Socket	89.85	85.04	82.48	68.98
654-D38999/26WB98PN	D38999/26WB98PN	A	11	11-98	Pin	83.85	81.97	79.14	76.79
654-D38999/26WB98SN	D38999/26WB98SN	A	6	11-98	Socket	101.29	96.52	92.87	73.99
654-D38999/26WB98SNLC	D38999/26WB98SN(LC)	A	6	11-98	Socket	98.63	91.28	87.05	72.53
654-D38999/26WC35PN	D38999/26WC35PN	A	22	13-35	Pin	99.09	94.76	89.47	74.65
654-D38999/26WC35SN	D38999/26WC35SN	A	22	13-35	Socket	63.88	61.06	57.55	44.22
654-D38999/26WC8PN	D38999/26WC8PN	A	8	13-8	Pin	78.04	76.38	73.90	71.83
654-D38999/26WC8SN	D38999/26WC8SN	A	8	13-8	Socket	96.88	94.82	91.74	89.17
654-D38999/26WC98PN	D38999/26WC98PN	A	10	13-98	Pin	61.94	58.99	55.98	41.68
654-D38999/26WC98SN	D38999/26WC98SN	A	10	13-98	Socket	101.95	97.92	91.88	68.61
654-D38999/26WD19PN	D38999/26WD19PN	A	19	15-19	Pin	101.84	99.67	92.50	76.51
654-D38999/26WD19SN	D38999/26WD19SN	A	19	15-19	Socket	53.84	50.46	48.78	44.29
654-D38999/26WD35PN	D38999/26WD35PN	A	37	15-35	Pin	53.78	50.66	48.60	40.41
654-38999/26WD35PNLC	D38999/26WD35PN(LC)	A	37	15-35	Pin	99.42	97.30	94.11	91.47
654-D38999/26WD35SN	D38999/26WD35SN	A	37	15-35	Socket	115.77	108.66	105.06	78.07
654-38999/26WD35SN-LC	D38999/26WD35SN(LC)	A	37	15-35	Socket	92.95	90.72	88.38	85.52
654-D38999/26WE26SN	D38999/26WE26SN	A	26	17-26	Socket	100.05	97.92	94.73	92.08
654-D38999/26WE35PN	D38999/26WE35PN	A	55	17-35	Pin	78.05	74.59	71.40	53.43
654-D38999/26WE35SN	D38999/26WE35SN	A	55	17-35	Socket	145.03	139.41	130.96	111.98
654-D38999/26WE35SNLC	D38999/26WE35SN(LC)	A	55	17-35	Socket	96.94	94.87	91.77	89.18



### Contacts

For quantities greater than listed, call for quote.

MOUSER STOCK NO.	Amphenol Part No.	Size	Description	Price Each				
				1	5	10	25	50
654-10-407552-055	10-407552-055	22M	Pin	1.60	1.42	1.28	1.17	1.07
654-10-497640-025	10-497640-025	20	Pin	4.50	4.00	3.60	3.28	3.01
654-10-497623-335	10-497623-335	22D	Socket	6.98	6.20	5.58	5.08	4.66
654-10-497643-025	10-497643-025	20	Socket	5.15	4.58	4.12	3.75	3.44

### Wire Splices

The 48 Series wire splice connector is a low cost, space saving connector.

- Utilizes a metal retention clip for single size 16 pin and socket
- Uses standard M39029/39-229 pin and M39029/32-248 socket contacts

For quantities greater than listed, call for quote.

MOUSER STOCK NO.	Amphenol Part No.	Color	Description	Price Each				
				1	5	10	25	50
654-48-7190	48-7190	Blue	Plug	8.90	8.51	7.93	7.55	6.87
654-48-7191	48-7191	Blue	Receptacle	7.45	7.15	6.66	6.32	5.75
654-48-7191-1	48-7191-1	Red	Receptacle	9.43	9.01	8.40	8.00	7.28

## MIL-DTL-38999 SERIES I LJT

Amphenol<sup>®</sup> LJT and JT Series subminiature cylindrical connectors are qualified to MIL-DTL-38999, Series I and II respectively. These connectors were developed to meet the needs of the aerospace industry. Meeting or exceeding MIL-DTL-38999 requirements, Amphenol<sup>®</sup> JT/LJT connectors feature:

- Lightweight, Space Saving Design
- Contact Protection - 100% scoop-proof LJT design prevents bent pins and short circuits during mating
- Quick Positive Coupling - 3 point bayonet lock system
- Mismatching Eliminated - with 5 key/keyway design
- Error Proof Alternate Positioning - insured by different key/keyway locations
- EMI Shielding - grounding fingers standard in LJT Series; optional in JT Series

LC = Less Contacts

For quantities greater than listed, call for quote.

MOUSER STOCK NO.	Amphenol Part No.	Fig.	No. of Contacts	Shell Size & Insert	Contact Type	Price Each			
						1	5	10	25
<b>Series I Crimp Jam Nut Receptacles</b>									
654-MS27468T15B35P	MS27468T15B35P	B	37	15-35	Pin	95.70	91.87	86.42	73.90
<b>Series I Crimp Wall Mount Receptacle with Back Panel Mounting</b>									
654-MS27656T15B35P	MS27656T15B35P	C	37	15-35	Pin	63.16	60.63	57.03	48.76
<b>Series I Crimp Straight Plugs</b>									
654-MS27467T15B35S	MS27467T15B35S	D	37	15-35	Socket	66.38	59.90	58.48	48.77