

AMPHENOL® Circular MIL-Spec Connectors Amphenol®

MIL-DTL-22992 SERIES

The Amphenol Class "L" heavy duty connectors are now available in a lower cost commercial version. The Class L meets the demands for heavy duty & heavy power connectors that are critical for rugged environmental conditions.

Features:

- 40-200 Amps
- Footproof Mating
- Serviceable Contacts
- Arc Quenching Design
- Programmed Coupling Sequence
- IP67 Waterproof Design
- Rugged Construction



For quantities greater than listed, call for quote.

MOUSER STOCK NO.	Amphenol Part No.	Fig.	Shell Size & Insert	Contact Type	Current Rating (A)	Price Each			
						1	5	10	25
Wall Mount Receptacle (Power Source)									
654-CL90555C32412S	CL90555C32412S	A	32-12	Socket	60	145.42	133.30	123.05	114.26
654-CL90558C32413P	CL90558C32413S	A	32-13	Socket	60	145.25	133.15	122.91	114.13
654-CL90555C44412S	CL90555C44412S	A	44-12	Socket	100	264.03	242.03	223.41	207.45
654-CL90555C44413S	CL90555C44413S	A	44-13	Socket	100	264.03	242.03	223.41	207.45
Cable Connecting Receptacle without Coupling Ring									
654-CL90557C32412S	CL90557C32412S	B	32-12	Socket	60	196.20	179.85	166.02	154.16
654-CL90557C32413S	CL90557C32413S	B	32-13	Socket	60	196.20	179.85	166.02	154.16
654-CL90557C44412S	CL90557C44412S	B	44-12	Socket	100	372.22	341.20	314.95	292.46
654-CL90557C44413S	CL90557C44413S	B	44-13	Socket	100	372.22	341.20	314.95	292.46
Straight Plug									
654-CL90556C32412P	CL90556C32412P	C	32-12	Pin	60	194.45	178.25	164.54	152.79
654-CL90556C32413P	CL90556C32413P	C	32-13	Pin	60	194.45	178.25	164.54	152.79
654-CL90556C44412P	CL90556C44412P	C	44-12	Pin	100	305.67	280.20	258.65	240.17
654-CL90556C44413P	CL90556C44413P	C	44-13	Pin	100	305.67	280.20	258.65	240.17
Wall Mount Plug with Coupling Ring (Equipment End)									
654-CL90558C32412P	CL90558C32412P	D	32-12	Pin	60	145.25	133.15	122.91	114.13
654-CL90558C32413P	CL90558C32413P	D	32-13	Pin	60	145.25	133.15	122.91	114.13
654-CL90558C44412P	CL90558C44412P	D	44-12	Pin	100	246.63	226.08	208.68	193.78
654-CL90558C44413P	CL90558C44413P	D	44-13	Pin	100	246.63	226.08	208.68	193.78

MIL-DTL-D38999 SERIES III TV

MIL-Qualified to MIL-DTL-38999, Rev. K, the Amphenol® Composite Tri-Start Connector offers a lightweight, corrosion resistant connector with the same high performance features as its metal counterpart. The Composite Tri-Start Connector also includes the following features:

- Lightweight: 17-40% weight savings vs. Aluminum; 60-70% weight savings vs. Stainless steel
- Durability - 1500 couplings minimum
- Extended Life Contact
- Corrosion Resistance - available in standard MIL-DTL-38999 olive drab cadmium with standing 2000 hours of salt spray exposure.
- Qualified to BACC63CT and BACC63CU specifications

LC = Less Contacts

Wall Mount Receptacles

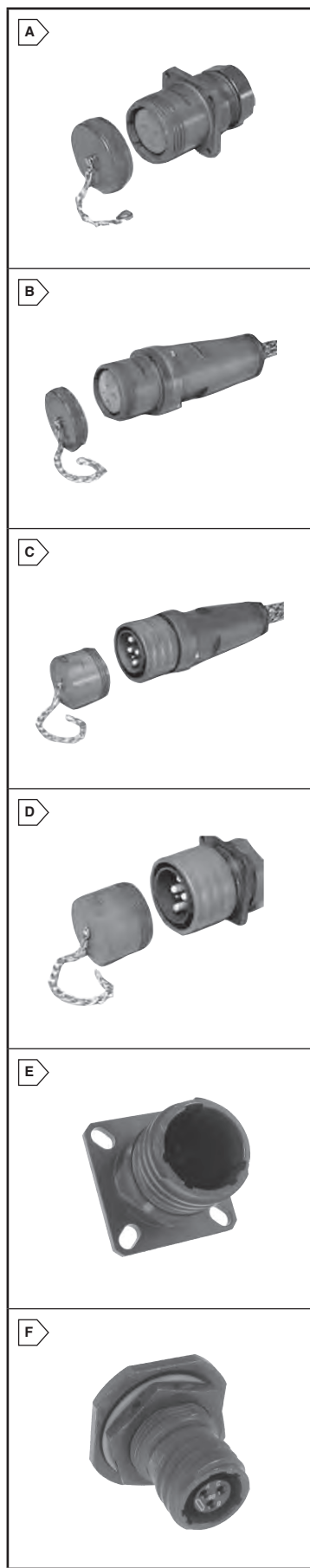
For quantities greater than listed, call for quote.

MOUSER STOCK NO.	Amphenol Part No.	Fig.	No. of Contacts	Shell Size & Insert	Contact Type	Price Each			
						1	5	10	25
654-D38999/20WA35PN	D38999/20WA35PN	E	6	9-35	Pin	62.20	60.35	56.72	42.41
654-D38999/20WA35SN	D38999/20WA35SN	E	6	9-35	Socket	85.20	81.90	76.94	65.80
654-D38999/20WA98PN	D38999/20WA98PN	E	3	9-98	Pin	32.63	31.04	29.46	28.22
654-D38999/20WA98SA	D38999/20WA98SA	E	3	9-98	Socket	40.30	38.45	36.39	34.77
654-D38999/20WB35PA	D38999/20WB35PA	E	3	9-98	Pin	91.24	86.16	78.19	65.53
654-D38999/20WB35PN	D38999/20WB35PN	E	13	11-35	Pin	79.14	76.07	71.46	61.11
654-D38999/20WB35SN	D38999/20WB35SN	E	13	11-35	Socket	121.11	116.40	109.36	93.51
654-D38999/20WB35SNLC	D38999/20WB35SN(LC)	E	13	11-35	Socket	49.01	41.06	33.54	29.20
654-D38999/20WB5PN	D38999/20WB5PN	E	5	11-5	Pin	118.55	113.95	107.04	91.54
654-D38999/20WB5SN	D38999/20WB5SN	E	5	11-5	Socket	82.04	78.86	74.08	63.35
654-D38999/20WB98PN	D38999/20WB98PN	E	6	11-98	Pin	122.45	117.70	110.57	94.55
654-D38999/20WB98SN	D38999/20WB98SN	E	11	11-98	Socket	88.57	85.12	79.97	68.39
654-D38999/20WC35PN	D38999/20WC35PN	E	22	13-35	Pin	48.95	47.07	40.30	34.33
654-D38999/20WC35SN	D38999/20WC35SN	E	22	13-35	Socket	47.51	46.30	39.23	33.79
654-D38999/20WC98PN	D38999/20WC98PN	E	10	13-98	Pin	78.66	75.60	71.02	60.73
654-D38999/20WC98SN	D38999/20WC98SN	E	10	13-98	Socket	82.07	78.89	74.11	63.37
654-D38999/20WD19PN	D38999/20WD19PN	E	19	15-19	Pin	87.81	84.40	79.29	67.81
654-D38999/20WD35PN	D38999/20WD35PN	E	37	15-35	Pin	48.93	47.46	40.19	34.44
654-D38999/20WD35SN	D38999/20WD35SN	E	37	15-35	Socket	81.26	77.81	72.38	53.91
654-D38999/20WE26PN	D38999/20WE26PN	E	26	17-26	Pin	59.36	57.83	55.91	38.87
654-D38999/20WE35PN	D38999/20WE35PN	E	55	17-35	Pin	87.42	84.03	78.94	62.37
654-D38999/20WE35SN	D38999/20WE35SN	E	55	17-35	Socket	122.02	117.29	110.18	89.73

Jam Nut Receptacles

For quantities greater than listed, call for quote.

MOUSER STOCK NO.	Amphenol Part No.	Fig.	No. of Contacts	Shell Size & Insert	Contact Type	Price Each			
						1	5	10	25
654-D38999/24WA35PN	D38999/24WA35PN	F	6	9-35	Pin	79.50	76.41	71.78	61.38
654-D38999/24WA35SN	D38999/24WA35SN	F	6	9-35	Socket	82.74	79.53	74.71	63.89
654-D38999/24WA98PN	D38999/24WA98PN	F	3	9-98	Pin	101.79	97.84	91.91	78.59
654-D38999/24WA98SA	D38999/24WA98SA	F	3	9-98	Socket	90.83	87.25	82.91	68.60
654-D38999/24WA98SN	D38999/24WA98SN	F	3	9-98	Socket	71.98	68.11	64.28	48.91
654-D38999/24WB35PA	D38999/24WB35PA	F	13	11-35	Pin	91.07	86.54	71.60	55.76
654-D38999/24WB35PN	D38999/24WB35PN	F	13	11-35	Pin	56.17	47.06	38.40	33.46
654-D38999/24WB35SA	D38999/24WB35SA	F	13	11-35	Socket	100.44	95.61	90.30	76.95
654-D38999/24WB35SN	D38999/24WB35SN	F	13	11-35	Socket	54.64	51.85	49.41	36.38
654-D38999/24WB5PN	D38999/24WB5PN	F	5	11-5	Pin	117.61	113.05	106.20	90.81
654-D38999/24WB5SN	D38999/24WB5SN	F	5	11-5	Socket	86.98	83.60	78.54	65.93
654-D38999/24WB98SN	D38999/24WB98SN	F	11	11-98	Socket	93.50	89.87	84.43	68.76
654-D38999/24WC35PN	D38999/24WC35PN	F	22	13-35	Pin	84.55	81.26	76.34	65.28
654-D38999/24WC35SN	D38999/24WC35SN	F	22	13-35	Socket	64.75	54.25	44.97	42.16
654-D38999/24WC8SN	D38999/24WC8SN	F	8	13-8	Socket	95.35	91.65	86.10	73.63
654-D38999/24WC98PN	D38999/24WC98PN	F	10	13-98	Pin	79.05	75.99	71.38	61.04
654-D38999/24WC98SN	D38999/24WC98SN	F	10	13-98	Socket	86.57	83.21	78.17	66.84
654-D38999/24WD19PN	D38999/24WD19PN	F	19	15-19	Pin	92.09	88.52	83.15	71.11
654-D38999/24WD19SN	D38999/24WD19SN	F	19	15-19	Socket	102.36	98.38	92.43	79.03
654-D38999/24WD35PN	D38999/24WD35PN	F	37	15-35	Pin	95.56	91.86	86.29	73.79
654-D38999/24WD35PNLC	D38999/24WD35PN(LC)	F	37	15-35	Pin	76.81	73.83	69.35	59.31
654-D38999/24WD35SN	D38999/24WD35SN	F	37	15-35	Socket	57.13	54.89	49.85	43.09
654-D38999/24WD35SNLC	D38999/24WD35SN(LC)	F	37	15-35	Socket	82.95	79.73	74.90	62.49
654-D38999/24WE35PN	D38999/24WE35PN	F	55	17-35	Pin	100.30	95.70	90.58	86.52
654-D38999/24WE35SN	D38999/24WE35SN	F	55	17-35	Socket	63.94	61.02	57.75	55.17



Circular Connectors Amphenol