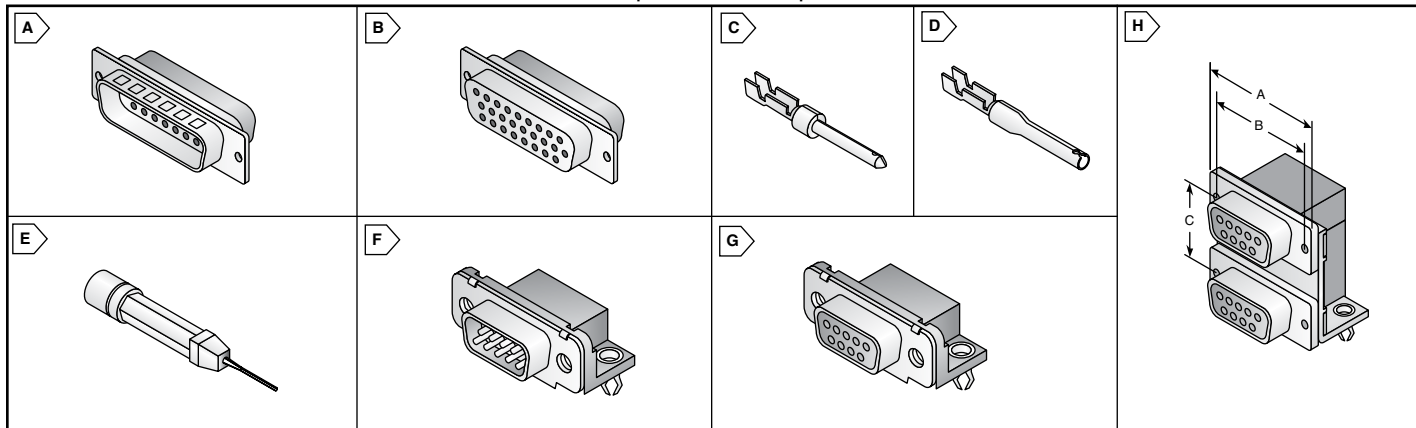


TE D-Subminiature Connectors

RoHS Compliant This product is RoHS compliant.



HDP-22 HIGH DENSITY, CRIMP SNAP-IN CONTACT CONNECTORS

HDP-22 Crimp Snap-In Contacts

- Materials:**
- Shell: steel, tin plated
 - Insert: black thermoplastic, UL94V-0 rated

- Features:**
- AWG size: 28-22
 - Pin: brass
 - Socket: phosphor bronze
 - Plating:
 - (a) 30µ" gold on mating end, tin on crimp barrel, all nickel underplated
 - (b) Gold flash on mating end, tin on crimp barrel, all nickel underplated

Contacts not included, order separately.

For quantities greater than listed, call for quote.

| MOUSER STOCK NO. | TE Part No. | Fig. | Shell Size | No. of Positions | Price Each | | |
|--|-------------|------|------------|------------------|------------|-------|------|
| | | | | | 1 | 10 | 100 |
| Plugs, with Grounding Indents | | | | | | | |
| 571-7483641 | 748364-1 | A | 1 | 15 | 3.35 | 3.21 | 2.67 |
| 571-1658671-1 | 1658671-1 | A | 2 | 26 | 3.68 | 3.52 | 2.94 |
| 571-1658672-1 | 1658672-1 | A | 3 | 44 | 6.03 | 5.78 | 4.82 |
| 571-1658673-1 | 1658673-1 | A | 4 | 62 | 6.18 | 5.92 | 4.94 |
| 571-1658674-1 | 1658674-1 | A | 5 | 78 | 8.33 | 7.98 | 6.59 |
| Receptacles, with Grounding Indents | | | | | | | |
| 571-1658681-1 | 1658681-1 | B | 1 | 15 | 3.09 | 2.96 | 2.47 |
| 571-1658682-1 | 1658682-1 | B | 2 | 26 | 5.23 | 5.01 | 4.18 |
| 571-1658683-1 | 1658683-1 | B | 3 | 44 | 10.28 | 9.83 | 8.26 |
| 571-1658684-1 | 1658684-1 | B | 4 | 62 | 7.13 | 6.83 | 5.64 |
| 571-1658685-1 | 1658685-1 | B | 5 | 78 | 10.86 | 10.38 | 8.73 |

For quantities greater than listed, call for quote.

| MOUSER STOCK NO. | TE Part No. | Fig. | Plating Code | Type | Price Each | | |
|------------------|-------------|------|--------------|--------|------------|------|------|
| | | | | | 1 | 100 | 1000 |
| 571-1658670-2 | 1658670-2 | C | a | Pin | .19 | .16 | .111 |
| 571-1658670-4 | 1658670-4 | C | b | Pin | .16 | .113 | .10 |
| 571-1658686-2 | 1658686-2 | D | a | Socket | .23 | .16 | .142 |
| 571-1658686-4 | 1658686-4 | D | b | Socket | .20 | .145 | .112 |

Insertion/ Extraction Tool

For quantities greater than listed, call for quote.

| MOUSER STOCK NO. | TE Part No. | Fig. | Description | Price Each |
|------------------|-------------|------|---------------------------|------------|
| 571-912851 | 91285-1 | E | Insertion/Extraction tool | 20.85 |

HD-22 FRONT METAL SHELL, RIGHT ANGLE CONNECTORS

- Features:**
- PCB Mount
 - High density, .350 PCB footprint with boardlocks
 - Front shell: steel tin plated
 - Housing: black thermoplastic, UL94V-0
 - Contacts: pin-brass, socket-phosphor bronze .22DF
 - Plating:
 - (a) 30µ" gold on mating end, tin on termination end, all nickel underplated
 - (b) Gold flash on mating end, tin on termination end, all nickel underplated
 - Shell: nickel plated steel
 - Boardlocks: tin plated brass
 - Threaded Inserts: tin plated brass
 - Female Screwlocks: nickel plated brass

Plugs with Boardlock

For quantities greater than listed, call for quote.

| MOUSER STOCK NO. | TE Part No. | Fig. | Shell Size | No. of Positions | Plating Code | Mounting Hardware | Price Each | | |
|------------------|-------------|------|------------|------------------|--------------|-------------------|------------|-------|------|
| | | | | | | | 1 | 10 | 100 |
| 571-5749767-1 | 5749767-1 | F | 1 | 15 | a | 4-40 inserts | 7.41 | 7.10 | 5.87 |
| 571-5749768-1 | 5749768-1 | F | 1 | 15 | a | 4-40 screw locks | 5.83 | 5.13 | 4.67 |
| 571-5749769-1 | 5749769-1 | F | 2 | 26 | a | 4-40 inserts | 9.70 | 8.06 | 7.42 |
| 571-5749771-1 | 5749771-1 | F | 3 | 44 | a | 4-40 inserts | 12.85 | 11.75 | 9.85 |

Receptacles with Boardlock

For quantities greater than listed, call for quote.

| MOUSER STOCK NO. | TE Part No. | Fig. | Shell Size | No. of Positions | Plating Code | Mounting Hardware | Price Each | | |
|------------------|-------------|------|------------|------------------|--------------|-------------------|------------|------|------|
| | | | | | | | 1 | 10 | 100 |
| 571-1734530-3 | 1734530-3 | G | 1 | 15 | a | 4-40 screw locks | 3.10 | 2.97 | 2.47 |
| 571-1734344-1 | 1734344-1 | G | 1 | 15 | b | 4-40 inserts | 2.45 | 2.37 | 1.95 |
| 571-2-1734344-3 | 2-1734344-3 | G | 1 | 15 | a | 4-40 inserts | 4.88 | 4.43 | 3.75 |
| 571-5748481-5 | 5748481-5 | G | 2 | 26 | a | 4-40 screw locks | 7.13 | 6.83 | 5.64 |
| 571-5748482-5 | 5748482-5 | G | 3 | 44 | a | 4-40 inserts | 7.93 | 7.19 | 6.11 |

HD-20 STACKED PCB CONNECTORS

AMPLIMITE HD-20 Stacked PCB Connectors add the advantage of reducing overall board real estate normally consumed by individual PCB connectors.

- Materials:**
- Housing: UL94V-0, Thermoplastic, Black
 - Front Metal Shell: Tin Plated Steel
 - Boardlocks: Tin Plated Brass
 - Female Screwlocks: Nickel Plated Brass
 - Threaded Inserts: Tin Plated Brass
 - Brackets: Zinc
 - Contact Pins: Brass
 - Contact Sockets: Phosphor Bronze
 - Plating: .000030 (0.00076) gold on mating end, tin on solder tails with overall nickel underplate



28476

LR 7189

For quantities greater than listed, call for quote.

| MOUSER STOCK NO. | TE Part No. | Fig. | Upper D-Sub | Lower D-Sub | Dimensions: in. | | | Mounting Hardware | Price Each | | |
|------------------|-------------|------|---------------|---------------|-----------------|-------|-------|-------------------|------------|-------|------|
| | | | | | A | B | C | | 1 | 10 | 100 |
| 571-1734279-3 | 1734279-3 | H | 9p Plug | 9p Plug | 1.22 | 0.984 | 0.750 | 4-40 inserts | 15.74 | 10.35 | 9.97 |
| 571-1734285-3 | 1734285-3 | H | 9p Receptacle | 9p Receptacle | 1.22 | 0.984 | 0.750 | 4-40 inserts | 6.64 | 6.45 | 6.32 |