

TE D-Subminiature Connectors



RoHS Compliant This product is RoHS compliant.

HDP-20, CRIMP SNAP-IN CONTACT CONNECTORS

- Insert: UL 94V-0 thermoplastic, black
- Shell: zinc or tin plated



For quantities greater than listed, call for quote.

MOUSER STOCK NO.	TE Part No.	Fig.	Shell Size	No. of Positions	Price Each		
					1	10	100
Plugs, Zinc Plating Shells							
571-205204-9	205204-9	A	1	9	1.44	1.38	1.32
571-205206-9	205206-9	A	2	15	1.97	1.88	1.80
571-5205208-1	5205208-1	A	3	25	1.83	1.75	1.67
571-205210-8	205210-8	A	4	37	4.30	4.12	3.44
571-1658641-3	1658641-3	A	5	50	6.46	6.18	5.11
Plugs, Tin Plated Shells, Without Grounding Indents							
571-205204-8	205204-8	A	1	9	2.10	1.90	1.63
571-205206-8	205206-8	A	2	15	2.35	2.13	1.52
571-207464-7	207464-7	A	3	25	2.06	1.86	1.59
Plugs, Tin Plated Shells, With Grounding Indents							
571-2052044	205204-4	B	1	9	1.43	1.37	1.31
571-2052063	205206-3	B	2	15	1.61	1.51	1.38
571-2074642	207464-2	B	3	25	1.46	1.39	1.33
571-2052103	205210-3	B	4	37	2.58	2.34	2.00
571-1658641-2	1658641-2	B	5	50	5.06	4.85	4.04
Receptacle, Zinc Plating Shells							
571-205203-8	205203-8	C	1	9	1.76	1.68	1.61
571-205205-7	205205-7	C	2	15	1.81	1.73	1.65
571-5205207-1	5205207-1	C	3	25	1.76	1.68	1.61
571-205209-7	205209-7	C	4	37	3.13	3.00	2.50
571-1658640-2	1658640-2	C	5	50	6.31	6.04	4.99
Receptacle, Tin Plating Shells							
571-2052033	205203-3	C	1	9	1.43	1.37	1.31
571-2052052	205205-2	C	2	15	1.36	1.30	1.25
571-2074631	207463-1	C	3	25	1.59	1.52	1.45
571-2052092	205209-2	C	4	37	2.58	2.34	2.00
571-1658640-1	1658640-1	C	5	50	5.08	4.87	4.06

CRIMP, SNAP-IN CONTACTS - SIZE 20 DF

- Use with HDP series

Plating:

- Gold flash over nickel on entire contact
- Select gold flash over nickel on entire contact, with additional .000030 [0.00076] gold on mating end
- Duplex plated .000030 [0.00076] gold on mating end, tin on termination end, with entire contact nickel underplated
- Duplex plated gold flash on mating end, tin on termination end, with entire contact nickel underplated



RoHS Compliant

Use insertion/extraction tool 571-912851; Crimp Tool 571-584482

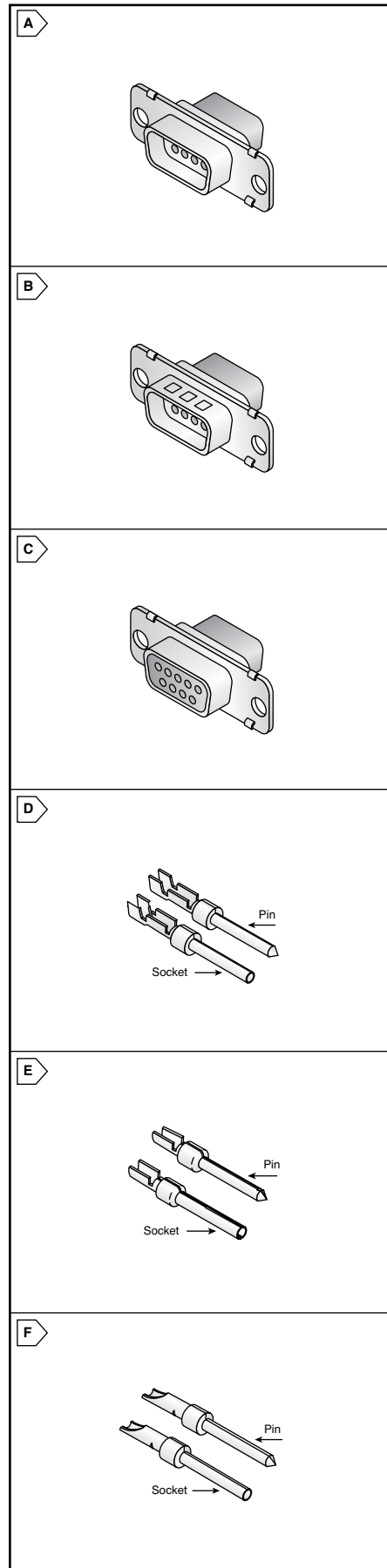
For quantities greater than listed, call for quote.

MOUSER STOCK NO.	TE Part No.	Fig.	Wire Size	Plating Code	Price Each		
					1	10	100
Pins - (For Use with Plugs)							
571-1665070	1-66507-0	D	28-24	a	.17	.16	.133
571-666824	66682-4	D	28-24	b	.23	.19	.17
571-7452547	745254-7	D	26-22	a	.41	.38	.30
571-7452546	745254-6	D	26-22	b	.20	.142	.101
571-1658544-1	1658544-1	D	26-22	c	.52	.37	.26
571-1665060	1-66506-0	D	24-20	a	.26	.233	.20
571-2052027	205202-7	E	24-20	a	.63	.52	.39
571-1658539-4	1658539-4	D	24-20	d	.44	.31	.22
571-665069	66506-9	D	24-20	b	.24	.215	.174
571-1658539-3	1658539-3	D	24-20	c	.22	.159	.15
571-7452294	745229-4	E	22-18	b	.41	.269	.192
571-665703	66570-3	F	18 max.	b	.26	.202	.168
Sockets - (For Use with Receptacles)							
571-1665050	1-66505-0	D	28-24	a	.08	.078	.076
571-666834	66683-4	D	28-24	b	.39	.31	.214
571-7452537	745253-7	D	26-22	a	.54	.43	.32
571-7452536	745253-6	D	26-22	b	.20	.143	.101
571-1658544-1	1658544-1	D	26-22	c	.52	.37	.26
571-1665040	1-66504-0	D	24-20	a	.25	.226	.189
571-2052017	205201-7	E	24-20	a	.34	.30	.24
571-1658537-2	1658537-2	D	24-20	d	.17	.129	.091
571-665049	66504-9	D	24-20	b	.25	.227	.22
571-1658537-4	1658537-4	D	24-20	c	.31	.265	.257
571-7452304	745230-4	E	22-18	b	.36	.255	.182
571-665693	66569-3	F	18 max.	b	.37	.33	.277

INSERTION / EXTRACTION TOOLS

For quantities greater than listed, call for quote.

MOUSER STOCK NO.	TE Part No.	Description	Price Each
571-912851	91285-1	Insertion/extraction tool with 6 tips and wrench	20.85
571-910672	91067-2	Insertion/extraction tool	7.06
571-912321	91232-1	Extraction tool	30.61
571-584482	58448-2	ProCrimper III Hand Tool	267.45



"D" Connectors
TE Connectivity