

# TE D-Subminiature Connectors

RoHS Compliant This product is RoHS compliant.

## HD-20 SERIES, PCB CONNECTORS

- Shell: Steel, tin plated
- Contacts: Pins - brass, sockets - phosphor bronze

- Contact Plating: (a) Gold on mating end, tin on termination end, nickel underplated  
(b) Same as (a) with gold flash on mating end

### Straight Posted Connectors, Front Metal-Shell

- Housing: UL 94V-0 black thermoplastic
- Threaded Inserts: Brass, unplated
- Female Screwlocks: Zinc



RoHS Compliant

### Plugs

For quantities greater than listed, call for quote.

MOUSER STOCK NO.	TE Part No.	Fig.	Shell Size	No of Pos.	Post Length (In.)	Plating Code	Price Each		
							1	10	100
<b>With Standard Mounting Holes</b>									
571-5747871-2	5747871-2	A	1	9	0.125	a	5.25	5.04	4.20
571-5747872-4	5747872-4	A	2	15	0.170	a	6.51	5.92	4.65
571-5747375-2	5747375-2	A	4	37	0.125	a	14.89	13.54	11.50
<b>With Threaded Inserts</b>									
571-5747871-8	5747871-8	B	1	9	0.125	a	5.80	5.56	4.64
571-5747872-8	5747872-8	B	2	15	0.125	a	7.08	6.19	5.60
571-5745968-8	5745968-8	B	3	25	0.125	a	7.95	7.30	5.69
571-5747375-8	5747375-8	B	4	37	0.125	a	17.09	15.87	12.21
<b>With Female Screwlocks</b>									
571-1-5747871-4	1-5747871-4	C	1	9	0.125	a	6.34	6.07	5.01
571-1-5745968-4	1-5745968-4	C	3	25	0.125	a	8.99	8.73	7.34



RoHS Compliant

### Receptacles

For quantities greater than listed, call for quote.

MOUSER STOCK NO.	TE Part No.	Fig.	Shell Size	No of Pos.	Post Length (In.)	Plating Code	Price Each		
							1	10	100
<b>With Standard Mounting Holes</b>									
571-5747150-2	5747150-2	D	1	9	0.125	a	5.18	4.55	3.62
571-5747299-2	5747299-2	D	2	15	0.125	a	6.00	5.76	4.80
571-5745967-2	5745967-2	D	3	25	0.125	a	7.34	6.42	5.81
<b>With Threaded Inserts</b>									
571-5747150-8	5747150-8	E	1	9	0.125	a	5.65	5.42	4.51
571-5747150-7	5747150-7	E	1	9	0.125	b	3.90	3.43	3.12
571-5747299-8	5747299-8	E	2	15	0.125	a	5.39	5.28	4.48
571-5745967-8	5745967-8	E	3	25	0.125	a	9.22	8.82	7.41
571-5745967-7	5745967-7	E	3	25	0.125	b	7.27	6.96	5.75
571-5747301-8	5747301-8	E	4	37	0.125	a	17.09	15.87	12.21
<b>With Retention Inserts</b>									
571-2-5747706-0	2-5747706-0	F	1	9	0.125	a	5.40	4.95	4.50
571-2-5747708-0	2-5747708-0	F	3	25	0.125	a	7.19	5.99	4.79
<b>With Female Screwlocks</b>									
571-1-5747150-4	1-5747150-4	G	1	9	0.125	a	6.48	6.21	5.13
571-1-5747150-6	1-5747150-6	G	1	9	0.170	a	4.92	4.55	3.79
571-1-5747299-4	1-5747299-4	G	2	15	0.125	a	7.27	6.96	5.75
571-1-5745967-4	1-5745967-4	G	3	25	0.125	a	7.27	6.96	5.75



RoHS Compliant

### Straight Posted Connectors, Full Metal-Shell

- Housing: UL 94V-0 black thermoplastic

### Plugs with Mounting Holes

For quantities greater than listed, call for quote.

MOUSER STOCK NO.	TE Part No.	Fig.	Shell Size	No of Pos.	Post Length (In.)	Plating Code	Price Each		
							1	10	100
571-5745410-1	5745410-1	H	1	9	0.125	a	7.58	7.26	6.00
571-5745411-1	5745411-1	H	2	15	0.125	a	6.93	6.30	5.85



RoHS Compliant

### Receptacles with Mounting Holes

For quantities greater than listed, call for quote.

MOUSER STOCK NO.	TE Part No.	Fig.	Shell Size	No of Pos.	Post Length (In.)	Plating Code	Price Each		
							1	10	100
571-5745183-2	5745183-2	I	1	9	0.125	b	7.32	7.01	5.79
571-5745187-1	5745187-1	I	3	25	0.125	a	13.66	12.42	10.55

### Straight Posted Connectors, with ACTION PIN Contacts, Front Metal-Shell

- Housing: UL 94V-0 black thermoplastic
- ACTION PIN Contacts: Copper Alloy

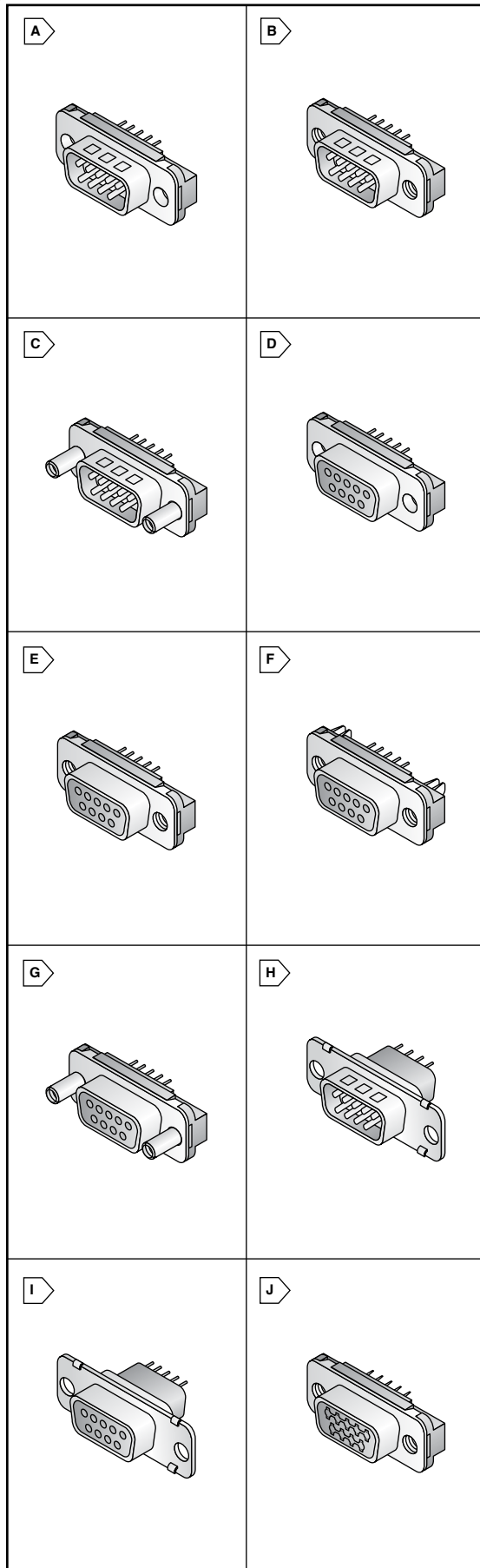


RoHS Compliant

### Receptacles with Threaded Inserts

For quantities greater than listed, call for quote.

MOUSER STOCK NO.	TE Part No.	Fig.	Shell Size	No of Pos.	Post Length (In.)	Plating Code	Price Each		
							1	10	100
571-5747090-2	5747090-2	J	1	9	0.228	a	10.78	8.98	7.19



"D" Connectors

TE Connectivity