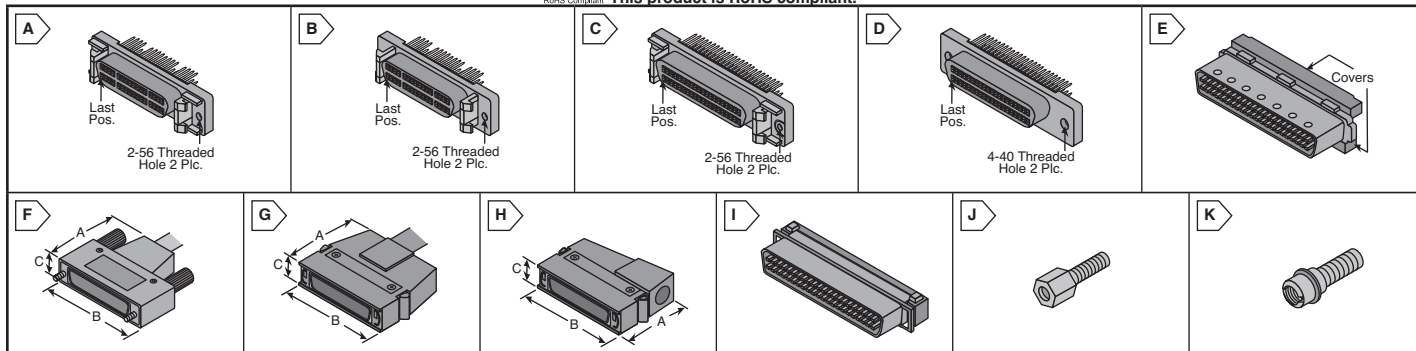


TE .050 Connectors



RoHS Compliant This product is RoHS compliant.



Description:

- Compatible with SCSI-2, EIA RS-232, HIPPI and IPI-2 standards
- High-density D type interface
- Shields mate before contacts, with ground mating first and breaking last
- Recognized under the Component Program of Underwriters Laboratories, Inc. File No. E28476
- Certified by Canadian Standards Association, File No. LR 7189A-207
- Series I - will intermate with 50, 68 and 96 position connectors in Series II and Series III
- Series III - will intermate with all Series II positions and the 50, 68, and 96 position Series I



VERTICAL RECEPTACLE HEADERS, SERIES III

.125 (3.18) Solder Tail Length

Material and Finish:

- Housing: Thermoplastic, UL94V-0 rated, black, SMT compatible
- Shell: Steel, plated .000200 (0.00508) min. bright tin over .000050 (0.00127) min. copper
- Bracket: Zinc, plated nickel over copper
- Contacts: Phosphor bronze, duplex plated .000030 (0.00076) min. gold on mating end .000120 (0.00304) min. tin-lead on solder end all underplated .000050 (0.00127) min. nickel



For quantities greater than listed, call for quote.

MOUSER STOCK NO.	TE Part No.	Fig.	No. of Pos.	Description	Price Each		
					1	10	100
571-5749069-7	5749069-7	A	68	With rails and latch blocks	12.72	12.26	10.42
571-5749070-7	5749070-7	A	68	Without rails & without latch blocks	12.25	11.14	9.46
571-5749070-9	5749070-9	A	100	Without rails & without latch blocks	20.24	18.79	14.46
571-5749721-5	5749721-5	B	50	Without rails and with latch blocks	11.64	10.11	8.34

.173 (4.39) Length, Action PIN Tails

Headers with contact tail lengths of .173 are designed for boards with a nominal thickness of .062 (1.56) and .093 (2.36).

Material and Finish:

- Housings: Thermoplastic, UL94V-0 rated, black, SMT compatible
- Shell: Carbon steel, plated .000200 (0.00508) min. bright tin over .000050 (0.00127) min copper
- Bracket: Zinc, plated .000150 (0.0038) min. nickel over .000200 (0.00508) min copper
- Contacts: Phosphor bronze, duplex plated .000030 (0.00076) min. gold on mating end, .000150 (0.0038) min. tin-lead on opposite end all underplated .000050 (0.00127) min. nickel



For quantities greater than listed, call for quote.

MOUSER STOCK NO.	TE Part No.	Fig.	No. of Pos.	Description	Price Each		
					1	10	100
571-5786554-5	5786554-5	C	50	With rails and latch blocks	10.25	9.66	8.40
571-5786554-7	5786554-7	C	68	With rails and latch blocks	17.61	14.07	13.16
571-5786555-7	5786555-7	D	68	Without rails & without latch blocks	9.88	8.40	7.41

CABLE PLUG CONNECTORS, SERIES III, WITH STANDARD TERMINATION COVERS

Material and Finish:

- Housings and Covers: Thermoplastic, UL94V-0 rated, black
- Contacts: Phosphor bronze, duplex plated .000030 (0.00076) min. gold on mating end, .000050 (0.00127) min. tin-lead on termination end, all underplated .000050 (0.00127) min. nickel
- Shell: Steel, plated .000010 (0.00025) min. tin-nickel alloy over .000150 (0.0038) min. nickel over .000100 (0.00254) min. copper
- Recommended wire size: 28 AWG or 30 AWG, solid or 7 strand, with a .029-.036 insulation diameter



For quantities greater than listed, call for quote.

MOUSER STOCK NO.	TE Part No.	Fig.	No. of Pos.	Description	Price Each		
					1	10	100
571-5749111-1	5749111-1	E	20	Assembled Covers	7.06	5.64	4.94
571-5749111-6	5749111-6	E	68	Assembled Covers	10.90	10.42	8.76
571-5749111-8	5749111-8	E	100	Assembled Covers	17.49	16.24	12.49
571-5749621-2	5749621-2	E	26	Unassembled Covers	10.07	9.63	8.10
571-5749621-5	5749621-5	E	50	Unassembled Covers	9.25	8.84	6.31
571-5749621-7	5749621-7	E	68	Unassembled Covers	10.07	9.63	8.10
571-5749621-9	5749621-9	E	100	Unassembled Covers	15.49	15.24	12.49



SHIELDED BACKSHELL KITS, SERIES III

With Male Jackscrews

Materials:

- Jackscrews: Steel, plated black zinc
- Jackscrew Caps: Polyolefin or PVC, black
- 2-56 Screws: Stainless Steel
- Backshell: Zinc, plated nickel over copper
- Strain Relief Staple: Steel, plated tin-lead over nickel

Features:

- Each kit includes upper and lower backshells, two male jackscrews, one strain relief staple and two 2-56 screws.
- Packaged unassembled



RoHS Compliant

For quantities greater than listed, call for quote.

MOUSER STOCK NO.	TE Part No.	Fig.	No. of Pos.	Dimension			Max. O.D.	Price Each		
				A	B	C		1	10	100
571-5749080-1	5749080-1	F	50	1.270	2.085	.480	.400	13.38	12.17	10.29
571-5749081-1	5749081-1	F	100	1.695	3.325	.595	.500	20.98	19.15	13.81
571-5749854-1	5749854-1	F	100	2.082	3.325	.615	.550	16.20	12.95	11.74

Straight and Angled Exit RFI/EMI Shields (Two-Piece) for Jacketed Cable with Spring Latches

Materials:

- Backshell: Zinc, plated nickel over copper
- Spring Latch: Stainless Steel
- 2-56 Screws: Stainless Steel
- Strain Relief Staple: Steel, plated tin-lead over nickel

Features:

- Each kit includes upper and lower backshells, two male jackscrews, one strain relief staple and two 2-56 screws.
- Packaged unassembled



RoHS Compliant

For quantities greater than listed, call for quote.

MOUSER STOCK NO.	TE Part No.	Fig.	No. of Pos.	Dimension			Max. O.D.	Price Each		
				A	B	C		1	10	100
Straight with Latches										
571-5749193-2	5749193-2	G	50	1.395	1.965	.480	.400	5.83	4.66	3.72
571-5749195-2	5749195-2	G	68	1.405	2.415	.520	.440	11.62	10.82	9.23
Angled with Latches										
571-5749609-1	5749609-1	H	26	1.290	1.365	.400	.270	8.06	6.44	5.65
571-5749202-2	5749202-2	H	50	1.395	1.965	.480	.400	11.39	9.10	8.30

PLUG ASSEMBLY UNSHIELDED, SERIES III

For .025 (0.64) Centerline Ribbon Cable

Material and Finish:

- Covers: Thermoplastic, UL94V-0 rated, black
- Contacts: Phosphor Bronze, duplex plated .000030 (0.00076) min. gold on mating end, .000050 (0.00127) min. bright tin-lead on termination end, all over .000050 (0.00127) min. nickel underplating
- Recommended wire size: .025 (0.64) centerline, 30 AWG solid or 7 strand, PVC, flat ribbon cable.
- Cable must be approved by TE engineering



RoHS Compliant

For quantities greater than listed, call for quote.

MOUSER STOCK NO.	TE Part No.	Fig.	No. of Pos.	Description	Price Each		
					1	10	100
571-5786090-7	5786090-7	I	68	Plug Assembly	3.01	2.88	2.62

SCREWLOCK KITS, SERIES III-FEMALE

Materials:

- Stainless Steel
- Includes Two Screwlocks
- Used with Vertical Receptacle Headers



RoHS Compliant

For quantities greater than listed, call for quote.

MOUSER STOCK NO.	TE Part No.	Fig.	Thread Size	Description	Price Each		
					1	10	100
571-7490871	749087-1	J	4-40	Kit	2.53	2.30	1.94
571-7865852	786585-2	K	2-56	Kit	3.12	2.84	2.60

TE Connectivity "D" Connectors