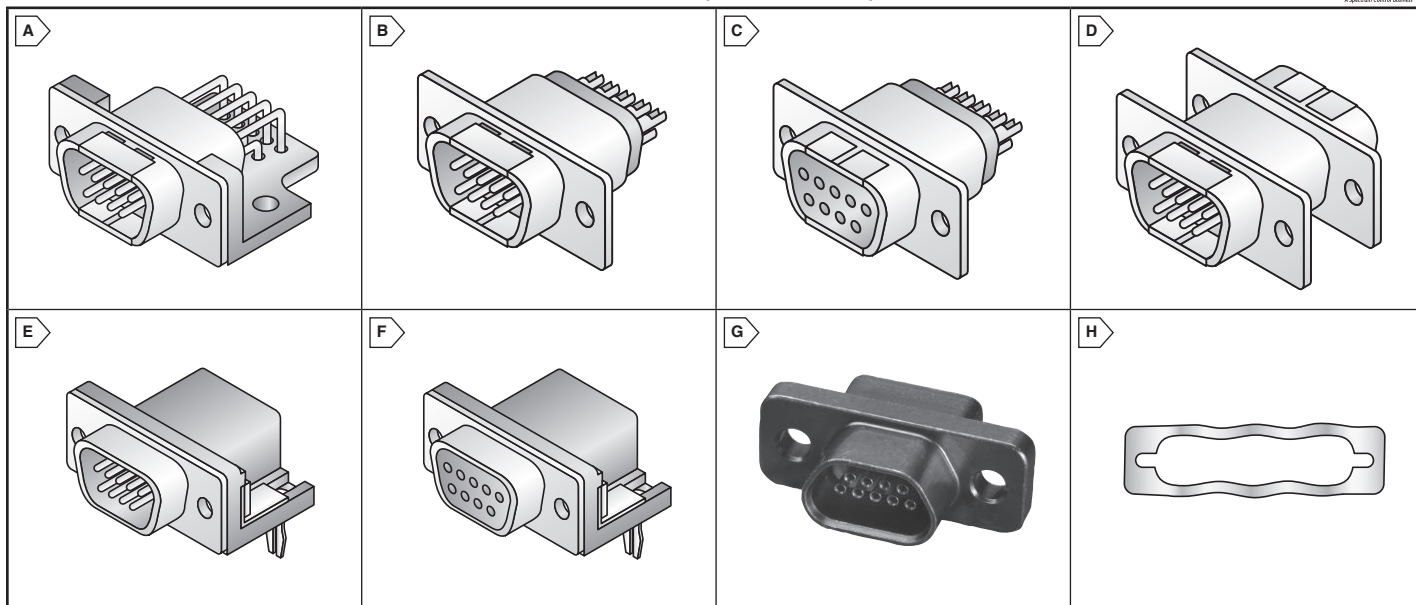


# SPECTRUM ASP Filtered D-Sub Connectors

RoHS Compliant This product is RoHS compliant.



## SERIES 700 HIGH PERFORMANCE FILTERED CONNECTORS

The Series 700 Connectors offer the highest performance filtering for all types of professional applications.

### Features:

- One piece diecast housing design
- Tubular capacitor filtering provides effective performance through 10GHz
- UL Recognized: File #E149046
- RoHS Compliant per Spectrum ASP documentation

### Specifications:

- Shell: Zinc diecast, nickel plated
- Contacts: Copper alloy
- Plug Contacts: 15µ" Gold plated over nickel
- Receptacle Contacts: 30µ" Gold plated over nickel
- Temperature: -55°C to +125°C
- Current Rating: 5A
- Contact Resistance: 10MΩ maximum



RoHS Compliant

### Connectors

For quantities greater than listed, call for quote.

MOUSER STOCK NO.	Spectrum ASP Part No.	Fig.	Type	No. of Pos.	EMI Filter Capacitance Value	Price Each		
						1	5	10
<b>Printed Circuit Board Right Angle Mount</b>								
657-56F722-005	56F722-005	A	Plug	25	4000 pF Pi	80.53	73.81	66.11
<b>Solder Cup Termination</b>								
657-56F701-013	56F701-013	B	Plug	9	1000 pF Pi	37.46	35.58	33.71
657-56F701-015	56F701-015	B	Plug	9	4000 pF Pi	40.82	38.78	36.73
657-56F706-001	56F706-001	C	Receptacle	9	310 pF Pi	42.45	40.33	38.20
657-56F706-005	56F706-005	C	Receptacle	9	4000 pF Pi	51.05	48.62	46.19
657-56F711-013	56F711-013	B	Plug	15	1000 pF Pi	50.98	48.43	45.88
657-56F716-003	56F716-003	C	Receptacle	15	1000 pF Pi	62.99	59.83	56.69
657-56F721-013	56F721-013	B	Plug	25	1000 pF Pi	77.82	73.93	70.04
657-56F721-015	56F721-015	B	Plug	25	4000 pF Pi	85.70	81.41	77.13
657-56F731-013	56F731-013	B	Plug	37	1000 pF Pi	114.98	109.23	103.48

### Plug/Receptacle Adapter

In-line design allows EMI/RFI filtering to be added externally to equipment. Utilizes existing D-Sub connectors. No gender changer required. Offers same protection as soldered in filters.



RoHS Compliant

- RoHS Compliant per Spectrum ASP documentation
- \* LI Suffix=4-40 UNC Inserts

For quantities greater than listed, call for quote.

MOUSER STOCK NO.	Spectrum ASP Part No.	Fig.	No. of Pos.	EMI Filter Capacitance Value	Price Each		
					1	5	10
657-56F705-001	56F705-001	D	9	310 pF Pi	32.97	30.22	27.06
657-56F705-008	56F705-008	D	9	830 pF Pi	26.21	24.02	21.52
657-56F705-003	56F705-003	D	9	1000 pF Pi	40.51	38.48	36.45
657-56F705-005	56F705-005	D	9	4000 pF Pi	41.25	39.28	37.31
* 657-56F705-005-LI	56F705-005-LI	D	9	4000pF Pi	45.70	43.52	41.35
657-56F715-001	56F715-001	D	15	310 pF Pi	48.70	46.26	43.82
657-56F715-003	56F715-003	D	15	1000 pF Pi	50.98	48.43	45.88
657-56F715-005	56F715-005	D	15	4000 pF Pi	59.78	56.79	53.81
657-56F725-001	56F725-001	D	25	310 pF Pi	73.56	69.88	66.20
657-56F725-003	56F725-003	D	25	1000 pF Pi	81.65	77.56	73.48
657-56F725-005	56F725-005	D	25	4000 pF Pi	89.94	85.66	81.37
657-56F735-005	56F735-005	D	37	4000 pF Pi	126.82	120.48	114.14

## SERIES 400 FERRITE FILTERED CONNECTORS

The Series 400 Ferrite Filtered Connector is designed as a low cost EMI solution for high frequency interference. The space saving connectors incorporate a solid slab of ferrite material as the filtering element.

### Features:

- Prevents common-mode noise in signal lines of data communication terminals and digital devices
- Drop In replacements for standard .318" D-Sub connectors
- Replaces individual ferrite beads, saving cost and space
- Effective in helping meet requirements of FCC, VDE, EN55022 and Japan's VCCI
- RoHS Compliant per Spectrum ASP documentation

### Specifications:

- Operating Temperature: -40°C to +105°C
- Frequency Range: 10 – 300MHz
- Current Rating: 5A
- Dielectric Withstand Voltage: 1000 VAC for one min
- Shell: Steel (Tin Plated)
- Plug Contacts: Brass
- Receptacle Contacts: Phosphor Bronze
- Contact Plated: Gold Flash

RoHS Compliant

For quantities greater than listed, call for quote.

MOUSER STOCK NO.	Spectrum ASP Part No.	Fig.	Type	No. of Pos.	Typ. Impedance (Ω)		Price Each		
					25 MHz	100 MHz	1	5	10
657-56F402-001	56F402-001	E	Plug	9	30	50	3.25	2.98	2.80
657-56F404-001	56F404-001	F	Receptacle	9	30	50	2.32	2.23	2.11
657-56F422-001	56F422-001	E	Plug	25	30	50	4.74	4.34	4.10
657-56F424-001	56F424-001	F	Receptacle	25	30	50	4.37	4.02	3.79

## FILTERED MICRO D CONNECTORS

### Features:

- Light weight
- Compact size
- Environmentally sealed contact area when mated
- Corrosion resistant
- Durable (500 cycles min.)
- Superior electrical performance
- RoHS compliant

### Specifications:

- Operating Voltage: 100 VDC Dielectric
- Withstanding Voltage: 300 VDC
- Current Rating: 3A
- Insulation Resistance: 5G ohms @ 100 VDC

For quantities greater than listed, call for quote.

MOUSER STOCK NO.	Spectrum ASP Part No.	Fig.	Type	No. of Pos.	EMI Filter Capacitance Value	Price Each		
						1	5	10
657-56F001-114	56F001-114	G	Plug	9	4700 pF COB	219.17	209.76	200.35
657-56F031-114	56F031-114	G	Plug	25	4700 pF COB	486.05	465.18	444.30

## WAVED METAL GASKETS

Waved metal gaskets adjust for mounting surface irregularities, resulting in optimum filtering performance.

### Specifications:

- Material: Beryllium Copper
- Finish: Electro Tin Plate
- Material Thickness: .005" Compresses
- Wave Length: .030"
- RoHS compliant per Spectrum ASP documentation



RoHS Compliant

## Front Mounted Plug or Receptacle Connector, Rear Mounted Plug

For quantities greater than listed, call for quote.

MOUSER STOCK NO.	Spectrum ASP Part No.	Fig.	Shell Size	Price Each		
				1	5	10
657-572019-100-NI	572019-00100-NI	H	9	1.67	1.58	1.49
657-572019-101-NI	572019-00101-NI	H	15	1.84	1.74	1.64
657-572019-102-NI	572019-00102-NI	H	25	2.16	2.06	1.96
657-572019-103-NI	572019-00103-NI	H	37	2.07	1.90	1.78

## Rear Mounted Receptacle Only

For quantities greater than listed, call for quote.

MOUSER STOCK NO.	Spectrum ASP Part No.	Fig.	Shell Size	Price Each		
				1	5	10
657-572019-105-NI	572019-00105-NI	H	9	1.47	1.35	1.27
657-572019-106-NI	572019-00106-NI	H	15	1.84	1.74	1.64
657-572019-107-NI	572019-00107-NI	H	25	2.89	2.57	2.31
657-572019-108-NI	572019-00108-NI	H	37	2.46	2.16	1.98