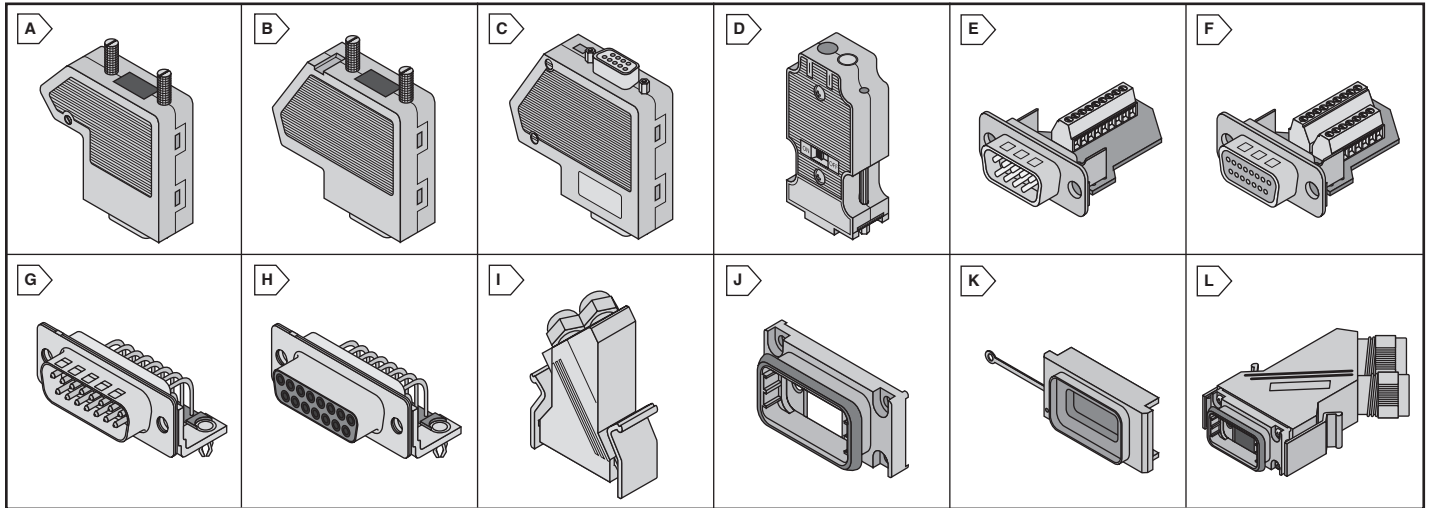


PHOENIX CONTACT D-Sub Connectors



SUBCON D-SUB CONNECTORS

Phoenix Contact's SUBCON products provides a means to make D-SUB assemblies without the hassle of soldering or crimping. The SUBCON product provides connection from the pins of a D-SUB connector to individual screw actuated terminal blocks all in a D-SUB clamshell housing. This means that the only tool required to configure a cable is a screwdriver.

- EMI/RFI Shielded, secure connection of cable assembly to mating receptacle
- Cable feed-in is designed for one cable

For quantities greater than listed, call for quote.

MOUSER STOCK NO.		Fig.	Phoenix Type	No. of Positions	Type	Description	Price Each		
Mfr.	Mfr. Part No.						1	10	25
651	2761499	A	SUBCON 9/F-SH	9	Female	1 Cable entry, INTERBUS, RS-232	47.06	46.34	44.52
651	2761509	A	SUBCON 9/M-SH	9	Male	1 Cable entry, INTERBUS, RS-232	46.34	44.18	43.05
651	2761596	A	SUBCON 15/F-SH	15	Female	1 Cable entry, TTY(CL), RS-422	43.69	43.12	42.35
651	2761606	A	SUBCON 15/M-SH	15	Male	1 Cable entry, TTY(CL), RS-422	43.69	43.12	42.35
651	2761619	A	SUBCON 25/F-SH	25	Female	1 Cable entry, RS-232	50.25	47.68	44.96
651	2761622	A	SUBCON 25/M-SH	25	Male	1 Cable entry, RS-232	50.25	47.68	44.96
651	2300986	A	SUBCON 37/F-SH	37	Female	1 Cable entry	65.13	61.39	59.55
651	2300973	A	SUBCON 37/M-SH	37	Male	1 Cable entry	65.13	61.39	59.55

SUBCON-PLUS D-SUB CONNECTORS

- SUBCON-PLUS is for applications where 2 cable feed-ins are required.
- SUBCON-PLUS-PROFIB is designed for use in Profibus systems up to 12 Mbit/s.
- Number of Contacts: 9
- PROFIBUS-Terminating resistor is already integrated in all versions.

For quantities greater than listed, call for quote.

MOUSER STOCK NO.		Fig.	Phoenix Type	Pin Assignment	Type	Description	Price Each		
Mfr.	Mfr. Part No.						1	10	25
651	2761826	B	SUBCON-PLUS M1	1, 2, 3, 5, 6, 8	Male	2 Feed-Ins, MODBUS, BITBUS	43.70	41.87	40.63
651	2744267	B	SUBCON-PLUS-F1	1, 2, 3, 5, 6, 8	Female	2 Feed-ins, MODBUS, BITBUS	43.70	41.87	40.63
651	2761839	B	SUBCON-PLUS M2	2, 3, 4, 5, 7, 9	Male	2 Feed-Ins, SUCONET, S-BUS	43.71	41.87	40.64
651	2799490	B	SUBCON-PLUS-F2	2, 3, 4, 5, 7, 9	Female	2 Feed-Ins, SUCONET, S-BUS	82.11	79.55	77.13
651	2744348	C	SUBCON-PLUS-PROFIB	3, 8	Male	2 Entries, Profibus with 12 Mbit/s	48.58	43.56	41.67
651	2744377	D	SUBCON-PLUSPROFIBAX	3, 6, 5, 8	Male	Axial version, Profibus with 12 Mbit/s	48.59	43.56	41.68
651	2744380	D	SUBCONPLUSPROFIBAXSC	3, 6, 5, 8	Male	Axial, Profibus with 12 Mbit/s Screw	48.58	43.56	41.67

VARIOSUB D-SUB CONNECTORS

- VARIOSUB-D-SUB is the IP67 protected plug connector range with commercially available D-SUB contact inserts.
- Male and female insert format enable 9,15, or 25 data lines and cable shields to be connected.
- VARIOSUB housings offer space and time-saving Push-Pull locking which snaps with a noticeable click.

For quantities greater than listed, call for quote.

MOUSER STOCK NO.		Fig.	Phoenix Type	No. of Positions	Type	Description	Price Each		
Mfr.	Mfr. Part No.						1	10	25
651	1688379	E	VS-09STDSUB/9MPT-0.5	9	Male	Contact insert with PCB and MPT 0.5	18.02	17.46	16.93
651	1688395	F	VS-09BUDSUB/9MPT-0.5	9	Female	Contact insert with PCB and MPT 0.5	18.71	18.13	17.58
651	1688078	E	VS-15STDSUB/15MPT0.5	15	Male	Contact insert with PCB and MPT 0.5	20.66	20.01	19.41
651	1688094	F	VS-15BUDSUB/15MPT0.5	15	Female	Contact insert with PCB and MPT 0.5	21.35	20.67	20.04
651	1689789	E	VS-25STDSUB/25MPT0.5	25	Male	Contact insert with PCB and MPT 0.5	35.92	34.79	33.75
651	1689776	F	VS-25BUDSUB/25MPT0.5	25	Female	Contact insert with PCB and MPT 0.5	35.92	34.79	33.75
651	1688382	G	VS-09-ST-DSUB-ER	9	Male	Contact insert with angled solder pins, thread	10.09	9.79	9.48
651	1688405	H	VS-09-BU-DSUB-ER	9	Female	Contact insert with angled solder pins, thread	11.26	10.91	10.58
651	1688081	G	VS-15-ST-DSUB-ER	15	Male	Contact insert with angled solder pins, thread	12.72	11.32	10.97
651	1688120	H	VS-15-BU-DSUB-ER	15	Female	Contact insert with angled solder pins, thread	14.08	12.53	12.13
651	1689873	G	VS-25-ST-DSUB-ER	25	Male	Contact insert with angled solder pins, thread	14.41	13.97	13.54
651	1689886	H	VS-25-BU-DSUB-ER	25	Female	Contact insert with angled solder pins, thread	16.80	16.28	15.78
651	1688353	I	VS-09-T-2M16	9	---	Plastic sleeve housing with push-pull lock	5.14	4.97	4.82
651	1688052	I	VS-15-T-2PG11	15	---	Plastic sleeve housing with push-pull lock	5.93	5.74	5.56
651	1689792	I	VS-25-T-2M20	25	---	Plastic sleeve housing with push-pull lock	7.68	7.44	7.22
651	1688366	J	VS-09-A	9	---	Plastic panel mounting base	5.00	4.85	4.69
651	1688036	J	VS-15-A	15	---	Plastic panel mounting base	4.20	3.74	3.63
651	1689750	J	VS-25-A	25	---	Plastic panel mounting base	6.19	6.00	5.82
651	1887086	K	VS-09-SD	9	---	Protective cover	5.83	5.64	5.48
651	1652211	K	VS-25-SD	25	---	Protective cover	6.88	6.67	6.46
651	1688450	-	VS-M16 (3-6)	-	---	M16 nut cap for 3-6mm wire	1.76	1.71	1.65
651	1688447	-	VS-M16 (5-9)	-	---	M16 nut cap for 5-9mm wire	1.75	1.70	1.64
651	1688117	-	VS-PG 11(3-7)	-	---	PG nut cap for 3-7mm wire	1.85	1.79	1.73
651	1688104	-	VS-PG 11(5-10)	-	---	PG nut cap for 5-10mm wire	1.85	1.79	1.73
651	1652127	-	VS-M20 (5-13)	-	---	M20 nut cap for 5-13mm wire	2.82	2.73	2.65
Shielded Housing Kits									
651	1689158	L	VS-09-SET-EMV	9	---	D-Sub 9 EMC shielded housing set for contact insert	31.53	29.89	27.59
651	1689132	L	VS-15-SET-EMV	15	---	D-Sub 15 EMC shielded housing set for contact insert	37.91	34.35	33.31
651	1652208	L	VS-25-SET-EMV	25	---	D-Sub 25 EMC shielded housing set for contact insert	38.93	37.72	36.57