

NORCOMP D-Sub Backshells and Hardware



D-SUB BACKSHELLS

Straight/Top Entry Backshells - 978 Series

- Kit includes: (2) Backshell Halves, (2) 4-40 Mounting Screws, (2) Saddle Washers, (2) Housing Screws, (2) 4-40 Housing Nuts, (1) Strain Relief Threaded Rod
- Metallized plastic provides up to 60 dB shielding
- Metallized Plastic Material: High temperature - UL94H-B
- Plastic: High temperature plastic - UL94H-B

- RoHS Compliant per NorComp documentation.
- RoHS Compliant
- Strain Relief design ensures secure fit no matter what cable diameter is used
- Metallized Plastic Plating: Chrome
- Perimeter sealing lips for secure assembly.

For quantities greater than listed, call for quote.

MOUSER STOCK NO.	NorComp Part No.	Fig.	D-Sub Size	Type	Price Each			
					1	25	50	100
636-978-009-010R031	978-009-010R031	A	9	Gray Plastic	1.30	1.11	1.02	.906
636-978-009-020R121	978-009-020R121	A	9	Metallized Plastic	1.69	1.36	1.25	1.08
636-978-015-010R031	978-015-010R031	A	15	Gray Plastic	1.35	1.22	1.07	.94
636-978-015-020R121	978-015-020R121	A	15	Metallized Plastic	1.93	1.50	1.39	1.23
636-978-025-010R031	978-025-010R031	A	25	Gray Plastic	1.43	1.29	1.12	.98
636-978-025-020R121	978-025-020R121	A	25	Metallized Plastic	2.00	1.63	1.53	1.28
636-978-037-010R031	978-037-010R031	A	37	Gray Plastic	2.02	1.64	1.47	1.29
636-978-037-020R121	978-037-020R121	A	37	Metallized Plastic	2.52	2.14	1.98	1.80
636-978-050-010R031	978-050-010R031	A	50	Gray Plastic	2.11	1.70	1.52	1.34
636-978-050-020R121	978-050-020R121	A	50	Metallized Plastic	2.63	2.23	2.06	1.88

Top Entry Backshells - 979 Series

- Kit includes: (2) Backshell Halves, (2) 4-40 Mounting Screws, (2) Saddle Washers, (2) Housing Screws, (2) 4-40 Housing Nuts, (1) Grommet Tree - Various Sizes
- Die Cast Zinc backshell is nickel plated for over 70 dB shielding
- Perimeter sealing lips for secure assembly

- Backshell cable entry designed for sure grip on cable jacket or grommet and provide proper strain relief
- Non-conductive grommet/strain relief supplied to enhance EMI/RFI shielding
- RoHS Compliant

For quantities greater than listed, call for quote.

MOUSER STOCK NO.	NorComp Part No.	Fig.	D-Sub Size	Type	Price Each			
					1	25	50	100
636-979-009-030R121	979-009-030R121	B	9	Die Cast - Nickel	2.46	1.98	1.82	1.61
636-979-015-030R121	979-015-030R121	B	15	Die Cast - Nickel	3.16	2.47	2.34	2.04
636-979-025-030R121	979-025-030R121	B	25	Die Cast - Nickel	3.66	2.94	2.86	2.40
636-979-037-030R121	979-037-030R121	B	37	Die Cast - Nickel	4.98	3.83	3.66	3.18
636-979-050-030R121	979-050-030R121	B	50	Die Cast - Nickel	7.01	5.13	4.77	4.29

Straight/90° Backshells - 982 Series

- Kit includes: (2) Backshell Halves, (2) 4-40 Mounting Screws, (2) Strain Relief Clamps, (2) Strain Relief Screws, (1) Compression Spring, (1) Cable Slot Shut-Off, (1) Cable Slot Feed-Thru, (3) Housing Screws
- Metallized plastic provides up to 60 dB shielding
- Metallized Plastic Material: High temperature - UL94V-0
- Separate strain relief mechanism is useable in either top or 90 degree entry
- Perimeter sealing lips for secure assembly

- Backshell cable entry designed for sure grip on cable jacket or grommet and provide proper strain relief
- Non-conductive grommet/strain relief supplied to enhance EMI/RFI shielding
- RoHS Compliant per NorComp documentation

For quantities greater than listed, call for quote.

MOUSER STOCK NO.	NorComp Part No.	Fig.	D-Sub Size	Type	Price Each			
					1	25	50	100
636-982-009-010R031	982-009-010R031	C	9	Gray Plastic	4.91	3.78	3.54	3.07
636-982-009-020R121	982-009-020R121	C	9	Metallized Plastic	8.89	6.58	6.18	5.44
636-982-015-010R031	982-015-010R031	C	15	Gray Plastic	5.56	4.33	4.06	3.55
636-982-015-020R121	982-015-020R121	C	15	Metallized Plastic	10.22	7.66	7.23	6.40
636-982-025-020R121	982-025-020R121	C	25	Metallized Plastic	10.85	8.14	7.68	6.80
636-982-050-010R031	982-050-010R031	C	50	Gray Plastic	6.94	5.26	4.94	4.29
636-982-050-020R121	982-050-020R121	C	50	Metallized Plastic	13.32	10.18	9.70	8.72

*9 position does not have 90 degree cable entry.

Straight Snap Backshells - 983 Series

- Kit includes: (2) Backshell Halves, (2) 4-40 Mounting Screws, (2) Saddle Washers, (1) Yoke, (2) Strain Relief Clamps, (2) Strain Relief Screws
- Metallized plastic provides up to 60 dB shielding
- Cable Clamp with self-tapping screws provide positive strain relief

- Gray Plastic Material: ABS Plastic - UL94V-0
- Metallized Plastic Material: ABS Plastic - UL94V-0
- Perimeter sealing lips for secure assembly
- Metallized Plastic Plating: Chrome
- May be used as "Gender Changer", pin-out changer or standard cable entry backshell
- RoHS Compliant

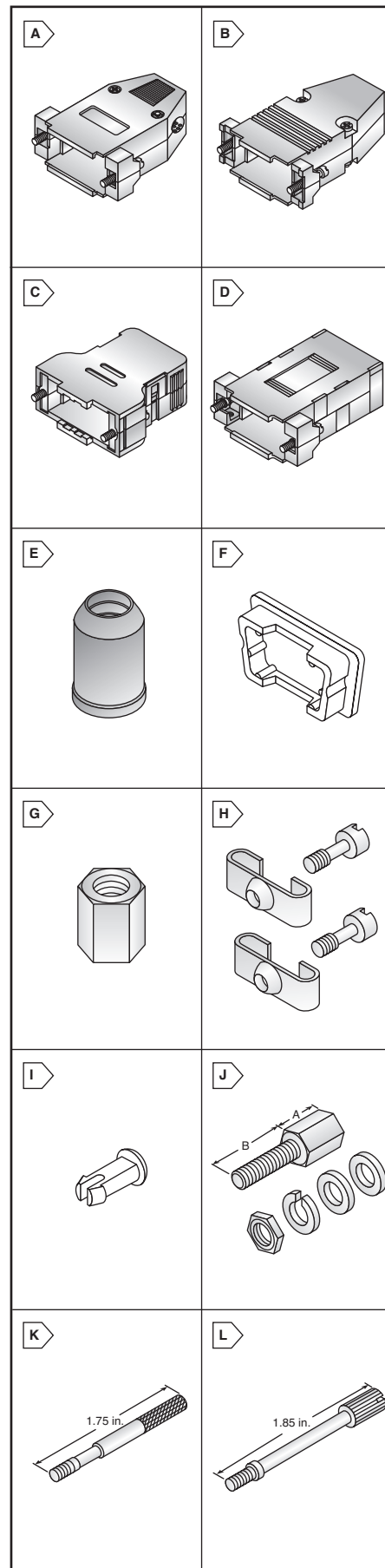
For quantities greater than listed, call for quote.

MOUSER STOCK NO.	NorComp Part No.	Fig.	D-Sub Size	Type	Price Each			
					1	25	50	100
636-983-009-010R031	983-009-010R031	D	9	Gray Plastic	1.26	1.10	.97	.854
636-983-009-020R121	983-009-020R121	D	9	Metallized Plastic	2.01	1.75	1.58	1.36
636-983-015-010R031	983-015-010R031	D	15	Gray Plastic	1.58	1.34	1.23	1.02
636-983-015-020R121	983-015-020R121	D	15	Metallized Plastic	2.21	1.86	1.74	1.51
636-983-025-010R031	983-025-010R031	D	25	Gray Plastic	1.79	1.54	1.39	1.19
636-983-025-020R121	983-025-020R121	D	25	Metallized Plastic	3.03	2.42	2.11	1.94

D-SUB HARDWARE

* Not RoHS Compliant RoHS Compliant For quantities greater than listed, call for quote.

MOUSER STOCK NO.	NorComp Part No.	Fig.	Description	Price Each				
				1	25	50	100	
Non-conductive Rubber Grommets								
636-162-000-925R000	162-000-925R000	E	0.400" outside diameter	.41	.343	.312	.292	
636-162-000-037R000	162-000-037R000	E	0.620" outside diameter	1.01	.857	.796	.714	
Dust Covers								
636-160-000-109R000	160-000-109R000	F	9 Pin, Male	.59	.477	.435	.404	
636-160-000-209R000	160-000-209R000	F	9 Pin, Female	.56	.474	.434	.385	
636-160-000-115R000	160-000-115R000	F	15 Pin, Male	.57	.513	.444	.405	
636-160-000-215R000	160-000-215R000	F	15 Pin, Female	.88	.821	.671	.611	
636-160-000-125R000	160-000-125R000	F	25 Pin, Male	.60	.541	.472	.433	
636-160-000-225R000	160-000-225R000	F	25 Pin, Female	.57	.513	.444	.405	
4-40 Female Coupling Nuts								
636-160-000-006R032	160-000-006R032	G	Nickel Plating	.17	.16	.15	.14	
4-40 Male Screwlock w/ Slip-On Retainer								
636-160-000-001R031	160-000-001R031	H	Nickel Plating	1.25	.996	.945	.754	
4-40 Male Screwlock w/ Clip-On Retainer								
636-160-000-002R031	160-000-002R031	H	Nickel Plating	.83	.703	.653	.572	
Plastic Retaining Clip								
636-163-001-000-000	163-001-000-000	I	for retaining connectors to PC .062" board	.15	.14	.13	.12	
4-40 Female Screwlock Assembly								
			Dim. A	Dim. B				
636-160-000-010R031	160-000-010R031	J	0.187	0.312	.75	.647	.597	.496
636-160-000-011R031	160-000-011R031	J	0.187	0.625	.95	.816	.756	.637
636-160-000-012R031	160-000-012R031	J	0.25	0.156	.80	.755	.634	.544
636-160-000-013R031	160-000-013R031	J	0.197	0.197	.75	.638	.567	.476
636-160-000-015R031	160-000-015R031	J	0.197	0.323	.71	.631	.529	.468
636-160-000-016R031	160-000-016R031	J	0.197	0.433	.83	.753	.652	.552
636-160-000-017R031	160-000-017R031	J	0.197	0.52	.68	.58	.529	.458
636-160-000-018R031	160-000-018R031	J	0.197	0.669	.95	.836	.756	.627
Thumbscrews for Standard Backshells								
636-160-000-050R031	160-000-050R031	K	4-40 for series 977, 978, 979, & 983 backshells	.20	.179	.16	.15	
636-160-000-060R031	160-000-060R031	L	2.6mm for series 970, 971, & 972 backshells	.75	.687	.596	.505	



"D" Connectors

NorComp