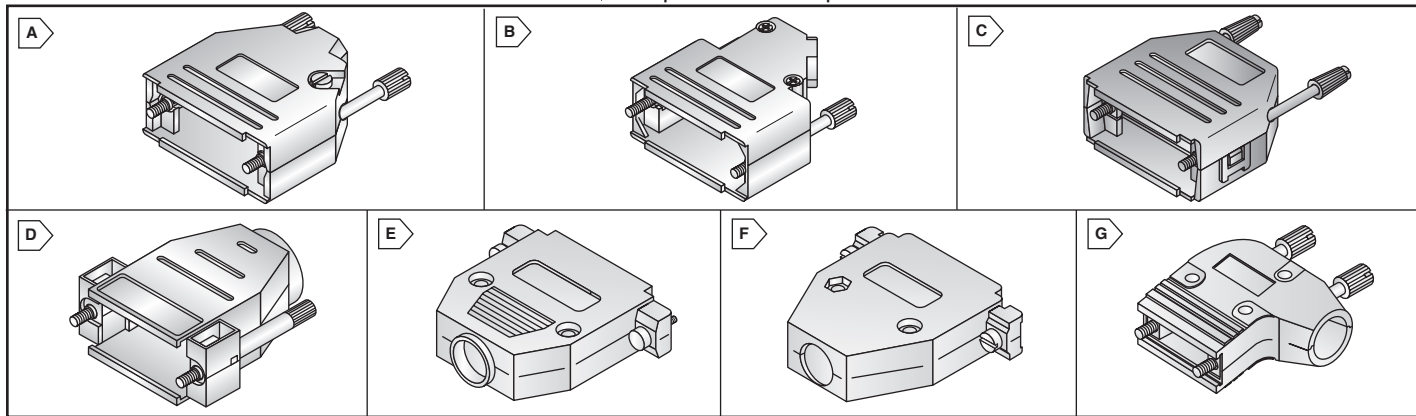


NORCOMP D-Sub Backshells



This product is RoHS compliant.



D-SUB BACKSHELLS

- Perimeter sealing lips for secure assembly
- Die Cast Material: Lightweight zinc
- Die Cast Plating: Nickel over copper or black chromate
- Metalized Plastic Material: High temperature plastic UL94V-0
- Metalized Plastic Plating: Nickel over copper
- Plastic Material: High temperature plastic UL94V-2
- RoHS Compliant per NorComp documentation

970 and 971 Series Backshells

- Kit includes: (2) Backshell Halves, (2) 4-40 Thumbscrews, (2) Housing Screws, 2 pc. Grommet - Various sizes
- Fully tapped assembly holes allow easy assembly



RoHS Compliant

For quantities greater than listed, call for quote.

MOUSER STOCK NO.	NorComp Part No.	Fig.	D-Sub Size	Type	Price Each			
					1	25	50	100
Straight/Top Entry - 970 Series								
636-970-009-030R121	970-009-030R121	A	9	Die Cast - Nickel	5.37	4.01	3.74	3.32
636-970-009-040R011	970-009-040R011	A	9	Die Cast - Black	5.57	4.86	4.52	3.56
636-970-009-020R121	970-009-020R121	A	9	Metalized Plastic	5.01	3.92	3.67	3.21
636-970-009-010R011	970-009-010R011	A	9	Black Plastic	2.46	2.01	1.93	1.60
636-970-015-030R121	970-015-030R121	A	15	Die Cast - Nickel	6.41	4.87	4.76	3.98
636-970-015-040R011	970-015-040R011	A	15	Die Cast - Black	6.63	4.78	4.19	4.10
636-970-015-020R121	970-015-020R121	A	15	Metalized Plastic	5.23	4.03	3.91	3.34
636-970-015-010R011	970-015-010R011	A	15	Black Plastic	2.46	2.05	1.93	1.62
636-970-025-030R121	970-025-030R121	A	25	Die Cast - Nickel	6.41	4.78	4.52	3.97
636-970-025-040R011	970-025-040R011	A	25	Die Cast - Black	6.64	4.78	4.20	4.11
636-970-025-020R121	970-025-020R121	A	25	Metalized Plastic	5.44	4.09	3.88	3.37
636-970-025-010R011	970-025-010R011	A	25	Black Plastic	2.61	2.13	1.99	1.66
636-970-037-030R121	970-037-030R121	A	37	Die Cast - Nickel	9.27	6.89	6.36	5.79
636-970-037-040R011	970-037-040R011	A	37	Die Cast - Black	8.87	6.65	6.43	5.66
636-970-037-020R121	970-037-020R121	A	37	Metalized Plastic	5.69	4.26	4.00	3.52
636-970-037-010R011	970-037-010R011	A	37	Black Plastic	2.65	2.10	1.90	1.73

45° Entry - 971 Series

636-971-009-030R121	971-009-030R121	B	9	Die Cast - Nickel	5.37	4.01	3.73	3.32
636-971-009-040R011	971-009-040R011	B	9	Die Cast - Black	5.58	4.04	3.88	3.57
636-971-009-020R121	971-009-020R121	B	9	Metalized Plastic	5.01	3.92	3.67	3.20
636-971-009-010R011	971-009-010R011	B	9	Black Plastic	2.45	2.01	1.85	1.59
636-971-015-030R121	971-015-030R121	B	15	Die Cast - Nickel	6.40	4.78	4.48	3.96
636-971-015-040R011	971-015-040R011	B	15	Die Cast - Black	6.66	4.85	4.61	4.11
636-971-015-020R121	971-015-020R121	B	15	Metalized Plastic	5.23	4.07	3.83	3.34
636-971-015-010R011	971-015-010R011	B	15	Black Plastic	2.45	2.04	1.92	1.60
636-971-025-030R121	971-025-030R121	B	25	Die Cast - Nickel	6.41	4.78	4.50	3.97
636-971-025-040R011	971-025-040R011	B	25	Die Cast - Black	6.65	4.85	4.60	4.10
636-971-025-020R121	971-025-020R121	B	25	Metalized Plastic	5.43	4.09	3.84	3.36
636-971-025-010R011	971-025-010R011	B	25	Black Plastic	2.66	2.10	1.92	1.67
636-971-037-030R121	971-037-030R121	B	37	Die Cast - Nickel	9.37	7.03	6.64	5.86
636-971-037-040R011	971-037-040R011	B	37	Die Cast - Black	9.35	7.01	6.43	5.84
636-971-037-020R121	971-037-020R121	B	37	Metalized Plastic	6.02	4.57	4.29	3.73

Plastic Slim Line Clam Shell Style Backshells - Straight/Top Entry - 972 Series

- Kit includes: (1) Backshell, (2) 4-40 Thumbscrews, (1) Plastic Strain Relief, (1) Metal Strain Relief Clamp, (2) Strain Relief Screws
- Fast assembly cable clamp with high quality self-tapping screws
- "Slim Line" version for critical space requirements
- One piece clam construction aids assembly



RoHS Compliant

For quantities greater than listed, call for quote.

MOUSER STOCK NO.	NorComp Part No.	Fig.	D-Sub Size	Type	Price Each			
					1	25	50	100
636-972-009-01SR011	972-009-01SR011	C	9	Black Plastic	2.58	2.09	2.02	1.70
636-972-009-01SR031	972-009-01SR031	C	9	Gray Plastic	2.63	2.03	1.91	1.69
636-972-009-01SR061	972-009-01SR061	C	9	Red Plastic	2.58	2.08	2.02	1.70
636-972-009-01SR081	972-009-01SR081	C	9	Yellow Plastic	2.57	2.04	1.87	1.59
636-972-015-01SR011	972-015-01SR011	C	15	Black Plastic	2.70	2.02	1.83	1.64
636-972-015-01SR031	972-015-01SR031	C	15	Gray Plastic	2.70	2.02	1.83	1.64
636-972-025-01SR011	972-025-01SR011	C	25	Black Plastic	2.88	2.29	2.25	1.87
636-972-025-01SR031	972-025-01SR031	C	25	Gray Plastic	2.88	2.30	2.26	1.87
636-972-037-01SR011	972-037-01SR011	C	37	Black Plastic	3.08	2.43	2.23	2.00
636-972-037-01SR031	972-037-01SR031	C	37	Gray Plastic	3.16	2.47	2.23	2.01

Straight/Top Entry Backshells - 973 Series

- Kit includes: (2) Backshell Halves, (2) 4-40 Thumbscrews, (1) Metal Strain Relief Clamp, (2) Strain Relief Screws, (2) Housing Screws
- Metalized plastic provides up to 60 dB shielding



RoHS Compliant

For quantities greater than listed, call for quote.

MOUSER STOCK NO.	NorComp Part No.	Fig.	D-Sub Size	Type	Price Each			
					1	25	50	100
636-973-009-020R121	973-009-020R121	D	9	Metalized Plastic	6.67	4.90	4.76	4.10
636-973-009-010R011	973-009-010R011	D	9	Black Plastic	3.56	2.81	2.66	2.31
636-973-015-020R121	973-015-020R121	D	15	Metalized Plastic	6.95	5.15	5.04	4.26
636-973-015-010R011	973-015-010R011	D	15	Black Plastic	3.77	2.97	2.78	2.45
636-973-025-020R121	973-025-020R121	D	25	Metalized Plastic	7.86	5.83	5.47	4.81
636-973-025-010R011	973-025-010R011	D	25	Black Plastic	3.92	3.07	2.89	2.54
636-973-037-020R121	973-037-020R121	D	37	Metalized Plastic	9.25	6.94	6.54	5.79
636-973-037-010R011	973-037-010R011	D	37	Black Plastic	4.77	3.72	3.49	3.04

977/979/981 Series Backshells

Specifications:

- Plastic Material: High temperature plastic UL94V-2
- Die Cast Material: Lightweight zinc
- Die Cast Plating: Nickel over copper
- Metalized Plastic Material: High temperature plastic UL94V-0
- Metalized Plastic Plating: Nickel over copper
- RoHS Compliant per NorComp documentation



RoHS Compliant

Top Entry - 977 and 979 Series

*with Grommet

For quantities greater than listed, call for quote.

MOUSER STOCK NO.	NorComp Part No.	Fig.	D-Sub Size	Type	Price Each			
					1	25	50	100
977 Series								
636-977-009-010R031	977-009-010R031	E	9	Gray Plastic	.48	.423	.374	.344
636-977-009-020R121	977-009-020R121	E	9	Metalized Plastic	.70	.619	.536	.495
636-977-015-010R031	977-015-010R031	E	15	Gray Plastic	.61	.544	.473	.443
636-977-015-020R121	977-015-020R121	E	15	Metalized Plastic	.80	.70	.616	.574
636-977-025-010R031	977-025-010R031	E	25	Gray Plastic	.70	.618	.544	.501
636-977-025-020R121	977-025-020R121	E	25	Metalized Plastic	1.06	.934	.815	.763
636-977-037-010R031	977-037-010R031	E	37	Gray Plastic	.91	.807	.706	.655
636-977-037-020R121	977-037-020R121	E	37	Metalized Plastic	1.37	1.20	1.05	.981
979 Series								
636-979-009-010R031	979-009-010R031	F	9	Black Plastic*	1.02	.89	.78	.73
636-979-009-020R121	979-009-020R121	F	9	Metalized Plastic*	1.33	1.18	1.03	.958
636-979-015-010R031	979-015-010R031	F	15	Black Plastic*	1.03	.915	.795	.741
636-979-015-020R121	979-015-020R121	F	15	Metalized Plastic*	1.46	1.28	1.12	1.03
636-979-025-010R031	979-025-010R031	F	25	Black Plastic*	1.10	.963	.847	.783
636-979-025-020R121	979-025-020R121	F	25	Metalized Plastic*	1.65	1.45	1.27	1.18

90° Entry - 981 Series



RoHS Compliant

For quantities greater than listed, call for quote.

MOUSER STOCK NO.	NorComp Part No.	Fig.	D-Sub Size	Type	Price Each			
					1	25	50	100
636-981-009-130R121	981-009-130R121	G	9	Die Cast w/Grommet & Thumbscrews	3.74	3.28	2.86	2.65
636-981-015-130R121	981-015-130R121	G	15	Die Cast w/Grommet & Thumbscrews	5.79	3.95	3.45	3.15
636-981-025-130R121	981-025-130R121	G	25	Die Cast w/Grommet & Thumbscrews	4.34	3.81	3.34	3.10