

NORCOMP High Density D-Sub Connectors



This product is RoHS compliant.



SOLDER CUP HIGH DENSITY - SERIES 180

Specifications:

- Shell: Nickel Plated Steel
- Insulator: Glass-filled thermoplastic, UL94V-0
- Contacts: Male - Brass Pins, Female - Phosphor Bronze Pins
- Plating: Gold flash on the entire contact

Features:

- RoHS Compliant per NorComp documentation
- Interfaces with IBM PS/2
- Approximately 65% higher density than standard D-Subs
- Connectors will fit in standard D-sub backshells

For quantities greater than listed, call for quote.

MOUSER STOCK NO.	NorComp Part No.	Fig.	No. of Pos.	Dimensions (in.)					Price Each			
				A	B	C	D	E	1	25	50	100
Male												
636-180-015-103L001	180-015-103L001	A	15	1.213	0.984	0.666	0.756	0.496	2.10	1.74	1.65	1.42
636-180-026-103L001	180-026-103L001	A	26	1.543	1.312	0.994	1.091	0.496	3.25	2.40	2.37	1.98
636-180-044-103L001	180-044-103L001	A	44	2.087	1.852	1.534	1.618	0.496	7.85	5.85	5.48	4.92
636-180-062-103L001	180-062-103L001	A	62	2.732	2.500	2.181	2.256	0.496	5.32	3.88	3.70	3.33
636-180-078-103L001	180-078-103L001	A	78	2.638	2.406	2.079	2.169	0.606	10.27	7.71	7.27	6.43
Female												
636-180-015-203L001	180-015-203L001	A	15	1.213	0.984	0.666	0.756	0.496	2.48	2.02	1.89	1.58
636-180-026-203L001	180-026-203L001	A	26	1.543	1.312	0.994	1.091	0.496	3.43	3.25	2.90	2.20
636-180-044-203L001	180-044-203L001	A	44	2.087	1.852	1.534	1.618	0.496	9.10	6.83	6.44	5.70
636-180-062-203L001	180-062-203L001	A	62	2.732	2.500	2.181	2.256	0.496	5.35	4.07	3.79	3.49
636-180-078-203L001	180-078-203L001	A	78	2.638	2.406	2.079	2.169	0.606	8.96	6.40	5.78	5.37

VERTICAL DIP HIGH DENSITY - SERIES 180

Specifications:

- Shell: Nickel Plated Steel
- Insulator: Glass-filled thermoplastic, UL94V-0
- Contacts: Male - Brass Pins, Female - Phosphor Bronze Pins

Features:

- RoHS Compliant per NorComp documentation
- Interfaces with IBM PS/2
- Approximately 65% higher density than standard D-Subs

*0.225" 4-40 Spacer/Board Lock

For quantities greater than listed, call for quote.

MOUSER STOCK NO.	NorComp Part No.	Fig.	No. of Pos.	Dimensions (in.)					Price Each			
				A	B	C	D	E	1	25	50	100
Male												
636-180-015-113R001	180-015-113R001	B	15	1.213	0.984	0.666	0.756	0.496	2.15	1.81	1.67	1.46
636-180-026-113R001	180-026-113R001	B	26	1.543	1.312	0.994	1.091	0.496	3.43	2.66	2.61	2.17
636-180-044-113R001	180-044-113R001	B	44	2.087	1.852	1.534	1.618	0.496	5.93	4.45	4.08	3.67
636-180-062-113R001	180-062-113R001	B	62	2.732	2.500	2.181	2.256	0.496	7.60	5.80	5.47	4.83
Female												
636-180-015-213R001	180-015-213R001	B	15	1.213	0.984	0.666	0.756	0.496	2.02	1.77	1.64	1.37
* 636-180-015-213R911	180-015-213R911	B	15	1.213	0.984	0.666	0.756	0.496	3.65	3.12	2.87	2.62
636-180-026-213R001	180-026-213R001	B	26	1.543	1.312	0.994	1.091	0.496	3.95	2.93	2.67	2.40
636-180-026-213R911	180-026-213R911	B	26	1.543	1.312	0.994	1.091	0.496	5.00	4.26	3.92	3.57
636-180-044-213R001	180-044-213R001	B	44	2.087	1.852	1.534	1.618	0.496	6.11	4.47	4.06	3.64
* 636-180-044-213R911	180-044-213R911	B	44	2.087	1.852	1.534	1.618	0.496	7.30	6.22	5.73	5.23
636-180-062-213R001	180-062-213R001	B	62	2.732	2.500	2.181	2.256	0.496	7.80	5.85	5.37	4.88

SERIES 180 HIGH DENSITY CRIMP AND POKE

Specifications:

- Shell: Steel, nickel plated
- Insulator: Glass-filled thermoplastic, UL94V-0

Features:

- RoHS Compliance per NorComp documentation (Low Temperature Material)
- Male shells have indents to provide grounding and additional retention

For quantities greater than listed, call for quote.

MOUSER STOCK NO.	NorComp Part No.	Fig.	No. of Pos.	Type	Dimensions (in.)				Price Each			
					A	B	C	D	1	25	50	100
636-180-015-173L000	180-015-173L000	C	15	Male	1.213	0.984	0.666	0.329	1.88	1.80	1.47	1.28
636-180-026-173L000	180-026-173L000	C	26	Male	1.543	1.312	0.994	0.329	3.72	2.80	2.67	2.30
636-180-044-173L000	180-044-173L000	C	44	Male	2.087	1.852	1.534	0.329	4.55	3.36	3.07	2.78
636-180-062-173L000	180-062-173L000	C	62	Male	2.732	2.500	2.181	0.329	5.90	4.43	4.06	3.69
636-180-015-273L000	180-015-273L000	C	15	Female	1.213	0.984	0.644	0.311	1.88	1.80	1.47	1.28
636-180-026-273L000	180-026-273L000	C	26	Female	1.543	1.312	0.966	0.311	3.94	3.72	3.32	2.53
636-180-044-273L000	180-044-273L000	C	44	Female	2.087	1.852	1.512	0.311	5.10	3.77	3.54	3.12
636-180-062-273L000	180-062-273L000	C	62	Female	2.732	2.500	2.156	0.311	6.95	5.00	4.58	4.17
636-180-078-273L000	180-078-273L000	C	78	Female	2.083	2.406	2.057	0.429	18.02	16.41	14.64	11.15

SERIES 180 CONTACTS

Specifications:

- Plating: Gold flash over 50 μ" nickel
- Wire size: 22 - 26 AWG

Features:

- RoHS Compliance per NorComp documentation

For quantities greater than listed, call for quote.

MOUSER STOCK NO.	NorComp Part No.	Fig.	No. of Pos.	Type	Dimensions (in.)				Price Each			
					A	B	C	D	1	25	50	100
636-180-101-170L001	180-101-170L001	D	Contact	Male	0.276	0.240	-	-	.13	.125	.113	.10
636-180-102-170L001	180-102-170L001	E	Contact	Female	0.248	0.240	0.0512	-	.13	.125	.112	.10

SERIES 181 HIGH DENSITY RIGHT ANGLE D-SUB CONNECTORS

Specifications:

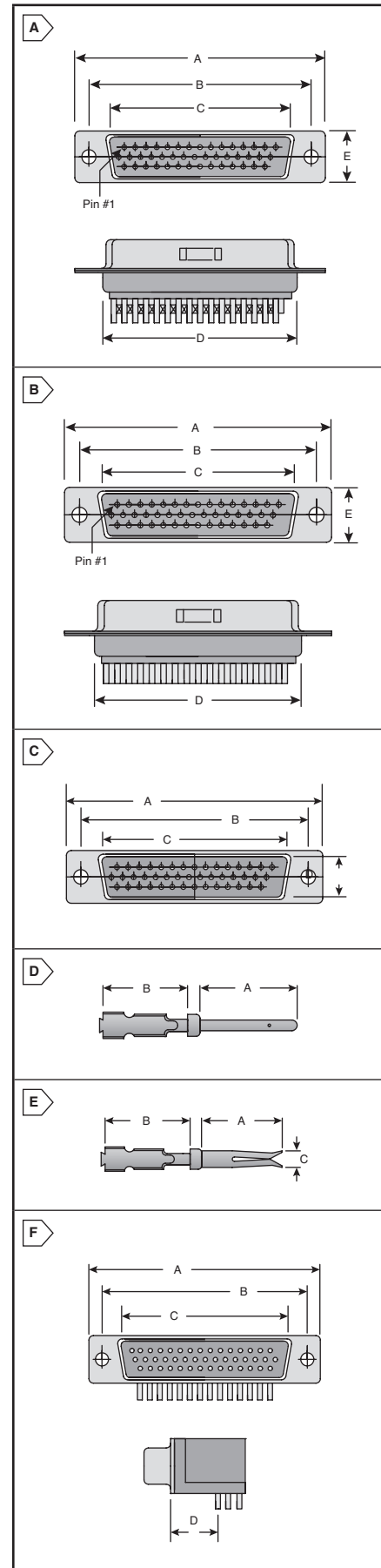
- Shell: Steel, nickel plated
- Insulator: Glass-filled thermoplastic, UL94V-0

Features:

- RoHS Compliance per NorComp documentation (High Temperature Material - 260°C)
- Two 4-40 threaded inserts on mating side, inside ground straps

For quantities greater than listed, call for quote.

MOUSER STOCK NO.	NorComp Part No.	Fig.	No. of Pos.	Type	Dimensions (in.)				Price Each			
					A	B	C	D	1	25	50	100
636-181-015-213R171	181-015-213R171	F	15	Female	1.213	0.984	0.644	0.350	3.17	2.53	2.49	2.06
636-181-026-213R171	181-026-213R171	F	26	Female	1.543	1.312	0.966	0.350	8.42	6.25	5.79	5.26
636-181-044-213R171	181-044-213R171	F	44	Female	2.087	1.852	1.512	0.350	9.08	6.79	5.73	5.67



"D" Connectors