

NORCOMP D-Sub Connectors



This product is RoHS compliant.



SERIES 170 CRIMP AND POKE D-SUB CONNECTORS

Specifications:

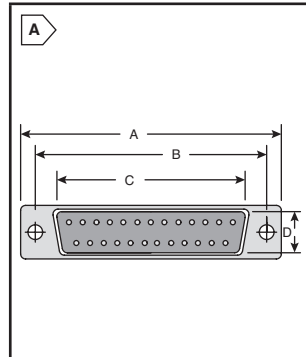
- Shell: Steel, nickel plated
- Insulator: Glass-filled thermoplastic, UL94V-0
- Contact current rating: 5A

Features:

- RoHS Compliance per NorComp documentation (Low Temperature Material)
- Allows for easy loading of only the positions required using Crimp and Snap-in contacts (sold separately)

For quantities greater than listed, call for quote.

MOUSER STOCK NO.	NorComp Part No.	Fig.	No. of Positions	Type	Dimensions (in.)				Price Each			
					A	B	C	D	1	25	50	100
636-170-009-173L000	170-009-173L000	A	9	Male	1.213	0.984	0.666	0.329	.78	.666	.608	.561
636-170-015-173L000	170-015-173L000	A	15	Male	1.543	1.312	0.994	0.329	.88	.829	.674	.608
636-170-025-173L000	170-025-173L000	A	25	Male	2.087	1.852	1.534	0.329	.85	.725	.673	.611
636-170-037-173L000	170-037-173L000	A	37	Male	2.732	2.500	2.181	0.329	1.67	1.49	1.32	1.16
636-170-050-173L000	170-050-173L000	A	50	Male	2.638	2.406	2.079	0.436	4.87	3.79	3.45	3.11
636-170-009-273L000	170-009-273L000	A	9	Female	1.213	0.984	0.642	0.311	.81	.683	.638	.571
636-170-015-273L000	170-015-273L000	A	15	Female	1.543	1.312	0.971	0.311	.90	.774	.711	.647
636-170-025-273L000	170-025-273L000	A	25	Female	2.087	1.852	1.512	0.311	.95	.891	.728	.663
636-170-037-273L000	170-037-273L000	A	37	Female	2.732	2.500	2.157	0.311	1.70	1.32	1.16	1.02



SERIES 170 CONTACTS

Specifications:

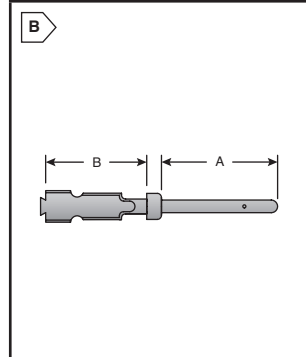
- Gold flash on mating area nickel on wire crimp
- Max. insulation diameter for 24-28 AWG is .035"

Features:

- RoHS Compliance per NorComp documentation

For quantities greater than listed, call for quote.

MOUSER STOCK NO.	NorComp Part No.	Fig.	No. of Positions	Type	Dimensions (in.)				Price Each			
					A	B	C	D	1	25	50	100
636-170-101-170L001	170-101-170L001	B	Contact	Male	0.321	0.202	-	-	.13	.122	.113	.103
636-170-102-170L001	170-102-170L001	C	Contact	Female	0.312	0.230	0.063	-	.14	.132	.122	.113



SERIES 178, 179 AND 189 DUAL PORT D-SUB CONNECTORS

Specifications:

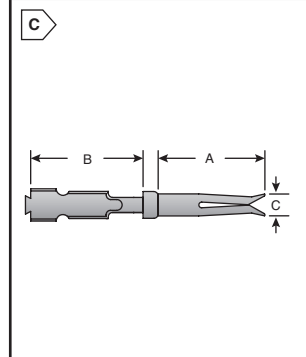
- Shell: Steel, nickel plated
- Insulator: Glass-filled thermoplastic, UL94V-0

Features:

- RoHS Compliance per NorComp documentation (High Temperature Material - 260°)
- Hardware: Four 4-40 female screw locks, 4 forked board locks

For quantities greater than listed, call for quote.

MOUSER STOCK NO.	NorComp Part No.	Fig.	No. of Positions	Type	Dimensions (in.)				Price Each			
					A	B	C	D	1	25	50	100
636-178-009-513R571	178-009-513R571	D	9	Fem/Fem	1.204	0.984	0.494	0.750	6.91	6.39	6.00	5.27
636-178-009-613R571	178-009-613R571	D	9	Male/Male	1.204	0.984	0.494	0.750	6.75	5.31	5.30	4.39
636-178-015-513R571	178-015-513R571	D	15	Fem/Fem	1.535	1.312	0.494	0.750	9.24	7.10	6.71	5.91
636-178-025-513R571	178-025-513R571	D	25	Fem/Fem	2.078	1.850	0.494	0.750	9.82	7.94	7.57	6.81
636-179-009-513R571	179-009-513R571	D	9	Fem/Fem	1.204	0.984	0.494	0.900	6.91	6.39	6.00	5.64
636-179-015-513R571	179-015-513R571	D	15	Fem/Fem	1.535	1.312	0.494	0.900	9.24	7.10	6.71	5.91
636-179-025-513R571	179-025-513R571	D	25	Fem/Fem	2.078	1.850	0.494	0.900	9.83	7.95	7.58	6.82
636-189-009-513R571	189-009-513R571	D	9	Fem/Fem	1.204	0.984	0.494	0.625	7.22	6.38	5.99	5.63
* 636-189-009-513R491	189-009-513R491	D	9	Fem/Fem	1.204	0.984	0.494	0.625	6.10	5.28	4.78	4.36
636-189-025-513R571	189-025-513R571	D	25	Fem/Fem	2.078	1.85	0.494	0.625	9.83	7.95	7.58	6.82



SERIES 182 AND 183 ECONOMY VERSION RIGHT ANGLE D-SUB CONNECTORS

Specifications:

- Shell: Steel, nickel plated
- Insulator: Glass-filled thermoplastic, U.L. 94V-0
- Contacts: Brass or Phosphor Bronze

Features:

- RoHS Compliance per NorComp documentation (High Temperature Material - 260°)
- Hardware: Two 4-40 inserts on mating side and 2 forked board locks
- Male shells have indents to provide grounding and additional retention
- Non-removable contacts

For quantities greater than listed, call for quote.

MOUSER STOCK NO.	NorComp Part No.	Fig.	No. of Positions	Type	Dimensions (in.)				Price Each			
					A	B	C	D	1	25	50	100
636-182-009-113R531	182-009-113R531	E	9	Male	1.213	0.984	0.666	0.318	1.51	1.35	1.19	1.04
636-182-015-113R531	182-015-113R531	E	15	Male	1.541	1.312	0.994	0.318	1.74	1.47	1.34	1.20
636-182-025-113R531	182-025-113R531	E	25	Male	2.088	1.852	1.534	0.318	2.18	1.83	1.71	1.48
636-182-037-113R531	182-037-113R531	E	37	Male	2.729	2.500	2.181	0.318	3.00	2.39	2.34	1.94
* 636-182-009-213R171	182-009-213R171	E	9	Female	1.213	0.984	0.642	0.318	1.60	1.34	1.25	1.09
636-182-009-213R531	182-009-213R531	E	9	Female	1.213	0.984	0.642	0.318	1.59	1.33	1.25	1.09
636-182-015-213R531	182-015-213R531	E	15	Female	1.541	1.312	0.971	0.318	1.87	1.59	1.41	1.27
636-182-025-213R531	182-025-213R531	E	25	Female	2.088	1.852	1.512	0.318	2.26	1.88	1.74	1.53
636-182-037-213R531	182-037-213R531	E	37	Female	2.729	2.500	2.157	0.318	3.13	2.46	2.28	2.04
636-183-009-113R531	183-009-113R531	E	9	Male	1.213	0.984	0.666	0.590	3.64	2.87	2.74	2.37
636-183-025-113R531	183-025-113R531	E	25	Male	2.088	1.852	1.534	0.590	4.76	3.70	3.47	3.03
636-183-009-213R531	183-009-213R531	E	9	Female	1.213	0.984	0.642	0.590	3.54	2.80	2.68	2.30
636-183-015-213R531	183-015-213R531	E	15	Female	1.541	1.312	0.971	0.590	4.15	3.24	3.03	2.65
636-183-025-213R531	183-025-213R531	E	25	Female	2.088	1.852	1.512	0.590	5.03	3.91	3.67	3.20
636-183-037-213R531	183-037-213R531	E	37	Female	2.729	2.500	2.157	0.590	7.39	5.50	5.17	4.55

