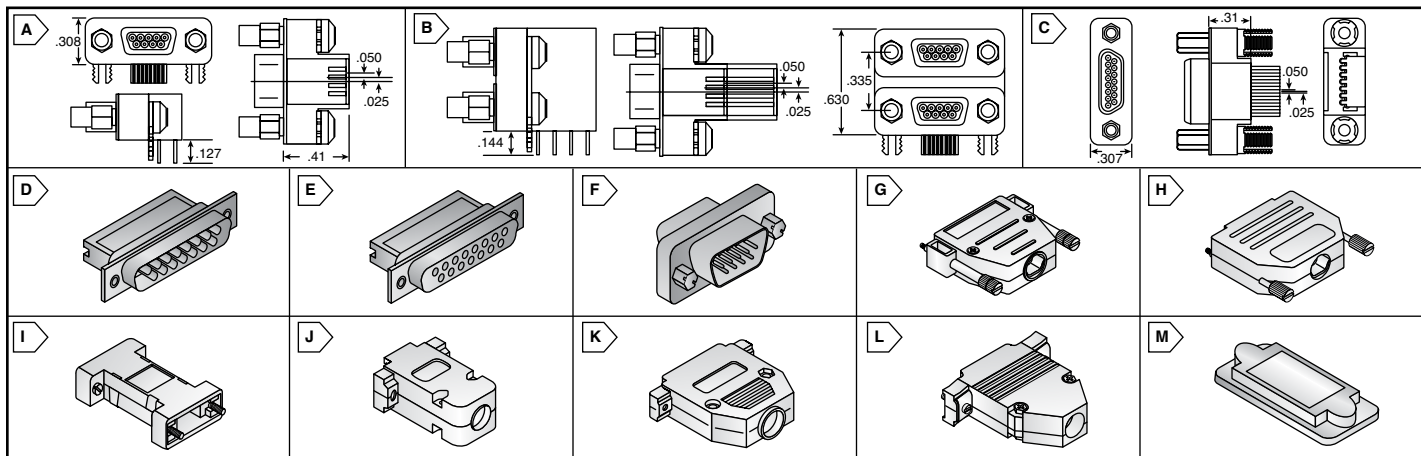


1.27mm Micro-D and D-Sub Connectors and Hoods



MOLEX 1.27MM COMMERCIAL MICRO-D CONNECTORS

Economical solution for commercial applications requiring the density of a micro-miniature connector. Rugged commercial design with a metal interface and grounding tabs for improved mechanical and electrical shield conditions.

- Through hole
- Housing: Shell - nickel-plated 1008LC steel; Insulator - LCP, UL94V-0
- Contact: Pin - gold-plated beryllium copper
- Color: Black
- Current: 3.0A



RoHS Compliant

Commercial Micro-D Plugs

For quantities greater than listed, call for quote.

MOUSER STOCK NO.	Molex Part No.	Fig.	No. of Positions	Price Each		
				1	10	25
Right Angle						
538-83611-9006	83611-9006	A	9	12.27	10.87	10.46
538-83612-9020	83612-9020	A	15	15.09	12.45	11.60
538-83614-9012	83614-9012	A	25	17.66	15.68	14.83
* 538-83619-9003	83619-9003	B	18	18.27	18.02	17.65
Vertical						
538-83611-9023	83611-9023	C	9	11.40	10.19	9.77
538-83612-9024	83612-9024	C	15	13.00	10.78	10.14
538-83614-9016	83614-9016	C	25	16.30	14.48	13.87

*Dual Stacked; Housing: PPS Polyphenylene Sulfide; mates with 9 position Receptacle

Commercial Micro D Cable Receptacle Kits

Kit contains: Jackscrew, Boot, Crimp Ring, Front and Rear Insulator and Backshell.

For quantities greater than listed, call for quote.

MOUSER STOCK NO.	Molex Part No.	Fig.	No. of Positions	Price Each		
				1	10	25
538-83421-9014	83421-9014	--	9	8.32	7.39	6.80
538-83422-9014	83422-9014	--	15	11.82	10.80	9.96
538-83424-9014	83424-9014	--	25	13.08	12.09	11.44

Contact Crimp Tool for Contact

Use with Kits

For quantities greater than listed, call for quote.

For quantities greater than listed, call for quote.

MOUSER STOCK NO.	Molex Part No.	Price Each			MOUSER STOCK NO.	Molex Part No.	Price Each	
		1	100	500			1	5
538-83000-0083	83000-0083	.38	.302	.29	538-63811-4800	63811-4800	324.50	302.50

KOBICONN IDC FLAT CABLE D-SUB CONNECTORS

Phosphor bronze contacts with gold plate over nickel, insulation displacement D-Subs provide added speed and convenience of mass termination.

- Features: Metal shell • Standard .050 pitch • Insulator color: black

For quantities greater than listed, call for quote.

MOUSER STOCK NO.	Fig.	No. of Contacts	Type	Price Each		
				1	10	100
156-2609	D	9	Plug	2.67	1.93	1.76
156-2615	D	15	Plug	2.84	2.18	1.98
156-2625	D	25	Plug	3.00	2.31	2.10
156-2709	E	9	Receptacle	2.58	1.98	1.80
156-2715	E	15	Receptacle	2.84	2.18	1.98
156-2725	E	25	Receptacle	3.00	2.31	2.10
156-2737	E	37	Receptacle	5.96	4.58	4.17

KOBICONN COMPACT SIZE GENDER CHANGERS

- Brass contacts gold plated over nickel • 4-40 Hex Screw
- 3 Amp • Temperature range: -55°C to +105°C

For quantities greater than listed, call for quote.

MOUSER STOCK NO.	Fig.	No. of Contacts	Type	Price Each		
				1	10	100
157-0300	F	9	Male/male	4.52	3.48	3.16
157-0302	F	9	Female/female	3.74	3.00	2.73

KOBICONN D-SUB HOODS



RoHS Compliant

2 Piece Hoods with Screw Locks

- Plastic, Black ABS

For quantities greater than listed, call for quote.

MOUSER STOCK NO.	Fig.	Shell Size	Description	Price Each		
				1	10	100
152-1309-E	G	DB9	2 pc plastic hood w/lock screws	2.45	2.33	2.12
152-1325-E	G	DB25	2 pc plastic hood w/lock screws	3.21	2.92	2.65
152-1337-E	G	DB37	2 pc plastic hood w/lock screws	3.45	3.29	3.13
152-1303-E	G	DB50	2 pc plastic hood w/lock screws	3.42	3.26	3.10

Hinged Construction with Jack Screws

- Side snap lock • Black • Polypropylene

For quantities greater than listed, call for quote.

MOUSER STOCK NO.	Fig.	Shell Size	Length (in.)	Width (in.)	Price Each		
					1	10	100
152-9009-EX	H	DB9	1.31	1.33	1.39	1.08	.98
152-9015-EX	H	DB15	1.29	1.66	1.49	1.14	1.04
152-9025-EX	H	DB25	1.44	2.22	1.61	1.24	1.13
152-9037-EX	H	DB37	1.54	2.85	1.49	1.14	1.04

Custom Adapter Housings

A two piece plastic housing designed for custom applications requiring the use of two D-sub connectors.

Applications include custom jumper boxes and interconnects. Connectors are not included.

Features:

- All plastic construction • Snap together assembly
- Connector screws included

For quantities greater than listed, call for quote.

MOUSER STOCK NO.	Fig.	Shell Size	Color	Description	Price Each		
					1	10	100
157-4000-EX	I	DB25/DB25	Black	with screws	1.10	.85	.76
157-4001-EX	I	DB9/DB9	Black	with screws	1.10	.85	.76
157-4002-EX	I	DB9/DB25	Gray	with screws	1.10	.85	.76

Standard Hoods

Features:

- Designed to fit our 152 and 156 series connectors • Complete with screw, retainer, and side screws
- Straight cable exit

For quantities greater than listed, call for quote.

MOUSER STOCK NO.	Fig.	Shell Size	Description	Price Each		
				1	10	100
Economy Plastic Locking Hoods						
156-2009-EX	J	DB9	Gray locking hood	.75	.58	.53
156-2010-EX	J	DB9	Black locking hood	.65	.50	.45
156-2015-EX	K	DB15	Gray locking hood	.75	.582	.524
156-2025-EX	K	DB25	Gray locking hood	.78	.602	.546
RF/EMI Shielded Metalized Plastic Hoods						
156-3009-EX	J	DB9	Nickel over copper plating	1.33	1.02	.93
156-3015-EX	K	DB15	Nickel over copper plating	1.36	1.14	1.03
156-3025-EX	K	DB25	Nickel over copper plating	1.61	1.24	1.12
156-3037-EX	K	DB37	Nickel over copper plating	2.05	1.71	1.55
RF/EMI Shielded Metal Locking Hoods						
156-1709-EX	L	DB9	Clear zinc chromate finish	2.60	1.91	1.80
156-1715-EX	L	DB15	Clear zinc chromate finish	3.96	2.64	2.40
156-1725-EX	L	DB25	Clear zinc chromate finish	4.13	2.75	2.50

KOBICONN EMI/DUST COVERS



RoHS Compliant

For quantities greater than listed, call for quote.

MOUSER STOCK NO.	Fig.	Color	No. of Contacts	Type	Price Each		
					1	10	100
152-09FR-E	M	Red	9	female	1.52	1.45	1.38
152-25FR-E	M	Red	25	female	1.87	1.78	1.69
152-13MB-E	M	Blue	9	male	1.38	1.31	1.25
152-15MB-E	M	Blue	15	male	1.87	1.79	1.62
152-25MB-E	M	Blue	25	male	1.56	1.49	1.42

"D" Connectors