

# HARTING D-Sub Connectors



## RIGHT ANGLE SMT BOARDMOUNT D-SUB CONNECTORS

### Specifications:

- Contact material: Phosphor Bronze
- Contact plating: Terminating side: Gold flash;
- Mating side: Selective gold plating per performance level
- Flammability: UL94V-0 tested in accordance with IEC 60807-2
- RoHS Compliant per HARTING documentation

### Features:

- Incorporates a flat area for full compatibility with standard vacuum pick and place equipment
- Die cast brackets for controlled center of gravity
- Special "no insertion force" pegs for reliable positioning on the PCB
- Nickel Plated steel resists corrosion

### Mating Cycles:

- PL3 = 50 mating cycles
- PL2 = up to 200 mating cycles



RoHS Compliant

### Right Angle SMT with Die Cast Grounding and 4-40 UNC Rear Nut

For quantities greater than listed, call for quote.

MOUSER STOCK NO.	HARTING Part No.	Fig.	No. of Pos.	Type	Mating Cycles	Price Each			
						1	10	25	50
617-09-55-166-6812	09 55 166 6812	A	9	Plug	PL2	5.56	5.00	4.72	4.31
617-09-55-156-6612	09 55 156 6612	B	9	Receptacle	PL2	5.09	4.58	4.32	3.95
617-09-55-156-7612	09 55 156 7612	B	9	Receptacle	PL3	4.91	4.42	4.17	3.81

### Right Angle SMT with Die Cast Grounding and 4-40 UNC Female Screwlock

For quantities greater than listed, call for quote.

MOUSER STOCK NO.	HARTING Part No.	Fig.	No. of Pos.	Type	Mating Cycles	Price Each			
						1	10	25	50
617-09-55-166-6813	09 55 166 6813	C	9	Plug	PL2	5.13	4.62	4.36	3.98
617-09-55-156-6613	09 55 156 6613	D	9	Receptacle	PL2	5.47	4.92	4.64	4.24
617-09-55-156-7613	09 55 156 7613	D	9	Receptacle	PL3	5.27	4.74	4.47	4.09

## HIGH DENSITY D-SUB CONNECTORS

### Specifications:

- Plug and Receptacle versions 15, 26, 44, 62, 78 pos
- PCB Terminations (straight and right angle)
- Crimp Terminations
- Working Current: 2A max

- 4 - 40 UNC hardware
- Temperature Range: - 55°C to +105°C
- Performance level 3 ±50 mating cycles according to DIN41652

### Features:

- Metal Shell - tinned steel
- Right Angle versions include board lock
- Straight versions with & without board lock
- Crimp Contacts AWG 26-24
- UL recognized
- Increased density up to 70% vs standard D Sub

For quantities greater than listed, call for quote.

### Crimp - Through Hole

- Housing only, order pin or socket contacts separately.

MOUSER STOCK NO.	HARTING Part No.	Fig.	No. of Pos.	Type	Description	Price Each			
						1	10	25	50
617-09-56-100-5601	09 56 100 5601	E	15	Plug	Through Hole	1.40	1.26	1.19	1.13
617-09-56-100-4701	09 56 100 4701	F	15	Receptacle	Through Hole	1.32	1.20	1.13	1.06
617-09-56-200-5601	09 56 200 5601	E	26	Plug	Through Hole	2.50	2.25	2.14	2.00
617-09-56-200-4701	09 56 200 4701	F	26	Receptacle	Through Hole	2.82	2.54	2.39	2.25
617-09-56-300-5601	09 56 300 5601	E	44	Plug	Through Hole	5.62	5.05	4.78	4.48
617-09-56-300-4701	09 56 300 4701	F	44	Receptacle	Through Hole	7.84	7.05	6.67	6.27
617-09-56-400-5601	09 56 400 5601	E	62	Plug	Through Hole	9.08	8.17	7.72	7.26
617-09-56-400-4701	09 56 400 4701	F	62	Receptacle	Through Hole	9.24	8.32	7.85	7.40
617-09-56-500-5601	09 56 500 5601	E	78	Plug	Through Hole	9.90	8.90	8.41	7.92
617-09-56-500-4701	09 56 500 4701	F	78	Receptacle	Through Hole	11.30	10.16	9.60	9.04

### Contacts

For quantities greater than listed, call for quote.

MOUSER STOCK NO.	HARTING Part No.	Description	Price Each			
			1	50	100	500
617-09-56-000-8177	09 56 000 8177	Male contact for crimp type D-sub plugs	.21	.16	.15	.13
617-09-56-000-8277	09 56 000 8277	Female contact for crimp type D-sub receptacles	.24	.22	.21	.19

### Crimp Tool

For quantities greater than listed, call for quote.

MOUSER STOCK NO.	HARTING Part No.	Description	Price Each	
			1	5
617-09-99-000-0596	09 99 000 0596	Crimp tool for crimp type D-sub connectors	449.32	399.35

### Right Angle PCB - 4-40 UNC Thread & Board Lock

For quantities greater than listed, call for quote.

MOUSER STOCK NO.	HARTING Part No.	Fig.	No. of Pos.	Type	Description	Price Each			
						1	10	25	50
617-09-56-162-7812	09 56 162 7812	G	15	Plug	4-40 UNC Thread & Board Lock	3.78	3.40	3.21	3.03
617-09-56-152-7612	09 56 152 7612	H	15	Receptacle	4-40 UNC Thread & Board Lock	2.80	2.53	2.37	2.24
617-09-56-262-7812	09 56 262 7812	G	26	Plug	4-40 UNC Thread & Board Lock	5.86	5.28	4.99	4.69
617-09-56-252-7612	09 56 252 7612	H	26	Receptacle	4-40 UNC Thread & Board Lock	4.74	4.26	4.03	3.79
617-09-56-362-7812	09 56 362 7812	G	44	Plug	4-40 UNC Thread & Board Lock	11.24	10.11	9.55	8.99
617-09-56-352-7612	09 56 352 7612	H	44	Receptacle	4-40 UNC Thread & Board Lock	7.44	6.70	6.32	5.95
617-09-56-462-7812	09 56 462 7812	G	62	Plug	4-40 UNC Thread & Board Lock	12.90	11.60	10.96	10.32
617-09-56-452-7612	09 56 452 7612	H	62	Receptacle	4-40 UNC Thread & Board Lock	10.06	9.06	8.55	8.06

### Straight PCB - Through Hole

For quantities greater than listed, call for quote.

MOUSER STOCK NO.	HARTING Part No.	Fig.	No. of Pos.	Type	Description	Price Each			
						1	10	25	50
617-09-56-161-7700	09 56 161 7700	I	15	Plug	Through Hole	2.04	1.84	1.74	1.62
617-09-56-151-7500	09 56 151 7500	J	15	Receptacle	Through Hole	2.56	2.31	2.17	2.05
617-09-56-261-7700	09 56 261 7700	I	26	Plug	Through Hole	3.92	3.53	3.34	3.13
617-09-56-251-7500	09 56 251 7500	J	26	Receptacle	Through Hole	4.92	4.43	4.19	3.94
617-09-56-361-7700	09 56 361 7700	I	44	Plug	Through Hole	5.74	5.17	4.89	4.59
617-09-56-351-7500	09 56 351 7500	J	44	Receptacle	Through Hole	7.08	6.37	6.02	5.67
617-09-56-461-7700	09 56 461 7700	I	62	Plug	Through Hole	7.67	7.27	7.03	6.69
617-09-56-451-7500	09 56 451 7500	J	62	Receptacle	Through Hole	10.34	9.31	8.78	8.26
617-09-56-561-7700	09 56 561 7700	I	78	Plug	Through Hole	11.28	10.15	9.59	9.02
617-09-56-551-7500	09 56 551 7500	J	78	Receptacle	Through Hole	13.84	12.45	11.77	11.06

### Straight PCB - 4-40 UNC Thread & Board Lock

For quantities greater than listed, call for quote.

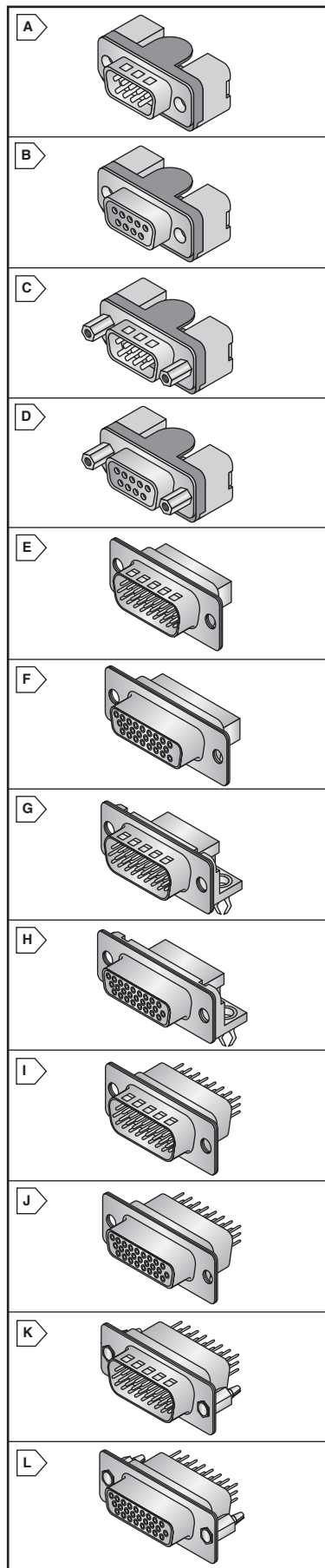
MOUSER STOCK NO.	HARTING Part No.	Fig.	No. of Pos.	Type	Description	Price Each			
						1	10	25	50
617-09-56-161-7712	09 56 161 7712	K	15	Plug	4-40 UNC Thread & Board Lock	2.56	2.31	2.18	2.06
617-09-56-151-7512	09 56 151 7512	L	15	Receptacle	4-40 UNC Thread & Board Lock	3.18	2.86	2.69	2.53
617-09-56-261-7712	09 56 261 7712	K	26	Plug	4-40 UNC Thread & Board Lock	4.46	4.01	3.79	3.56
617-09-56-251-7512	09 56 251 7512	L	26	Receptacle	4-40 UNC Thread & Board Lock	5.46	4.91	4.65	4.36
617-09-56-361-7712	09 56 361 7712	K	44	Plug	4-40 UNC Thread & Board Lock	6.26	5.64	5.34	5.01
617-09-56-351-7512	09 56 351 7512	L	44	Receptacle	4-40 UNC Thread & Board Lock	7.58	6.82	6.44	6.07
617-09-56-461-7712	09 56 461 7712	K	62	Plug	4-40 UNC Thread & Board Lock	8.96	8.07	7.63	7.17
617-09-56-451-7512	09 56 451 7512	L	62	Receptacle	4-40 UNC Thread & Board Lock	10.86	9.78	9.23	8.69
617-09-56-561-7712	09 56 561 7712	K	78	Plug	4-40 UNC Thread & Board Lock	11.80	10.63	10.04	9.44
617-09-56-551-7512	09 56 551 7512	L	78	Receptacle	4-40 UNC Thread & Board Lock	14.34	12.92	12.18	11.47

### Screwlocks

- Order 2 for each connector

For quantities greater than listed, call for quote.

MOUSER STOCK NO.	HARTING Part No.	Description	Price Each			
			1	10	25	50
617-09-67-000-9972	09 67 000 9972	Screwlock for right angle version	.30	.28	.269	.258
617-09-66-000-9972	09 66 000 9972	Screwlock for straight version	.29	.28	.27	.26



"D" Connectors  
HARTING