

AMPHENOL D-Subminiature Connectors

Amphenol®

RoHS Compliant This page of product is compliant.

COOLPOWER® COMBO D-SUBS

Specifications:

- Current Rating: Power Contacts: 55 Amperes (per contact)
- Contact Resistance: Power Contacts: 0.25 milliohms max
- Insulation Resistance: 5000 Megohms
- DWV: 1500V DC
- Operating Temperature: -55°C to +105°C

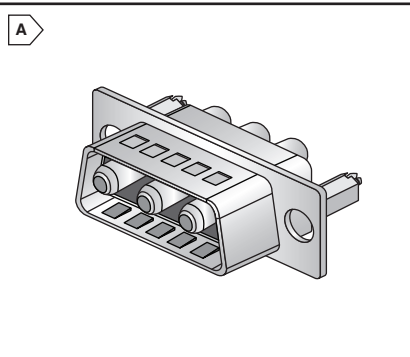
Applications:

- Networking, Telecom and Wireless
- Power Supply and Amplifier
- Industrial and Medical
- Military/Aerospace



For quantities greater than listed, call for quote.

MOUSER STOCK NO.	Amphenol Part No.	Fig.	Type	Arrangement	Mounting	Price Each			
						1	10	50	100
523-LCC17-A3W3PA-4N0	LCC17-A3W3PA-4N0	A	Male	3W3	Threaded	8.60	7.72	7.28	6.84
523-LCC17-A3W3PE-AN0	LCC17-A3W3PE-AN0	A	Male	3W3	Thread w/ Lock	7.21	6.46	6.09	5.71
523-LCC17-A3W3SM-2N0	LCC17-A3W3SM-2N0	B	Female	3W3	Flange	8.14	7.32	6.90	6.47



FIXED PRECISION-FORMED SOLDER CUP CONTACTS

Materials:

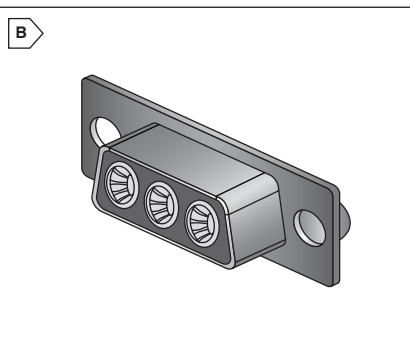
- Shells: Steel, tin plated
- Contact: Brass
- Contact Plating: Gold



For quantities greater than listed, call for quote.

MOUSER STOCK NO.	Amphenol Part No.	Fig.	No. of Positions	Current Rating	Voltage Rating	Type	Price Each			
							1	10	50	100
523-L717SDE09P	L717SDE09P	C	9	5A	300V	Male	.68	.60	.548	.496
523-L77SDE09S	L77SDE09S	C	9	5A	300V	Female	.78	.69	.627	.561
523-L717SDA15P	L717SDA15P	C	15	5A	300V	Male	1.13	1.02	.924	.803
523-L77SDA15S	L77SDA15S	C	15	5A	300V	Female	.89	.843	.756	.634
523-L717SDB25P	L717SDB25P	C	25	5A	300V	Male	.96	.86	.781	.693
523-L77SDB25S	L77SDB25S	C	25	5A	300V	Female	.92	.82	.748	.66
523-L77SDC37S	L77SDC37S	C	37	5A	300V	Female	1.72	1.56	1.41	1.29
523-G17S0910110EU	G17S0910110EU	C	9	5A	300V	Male	.58	.56	.451	.41
523-G17S0900110EU	G17S0900110EU	C	9	5A	300V	Female	.73	.60	.56	.55
523-G17S1510110EU	G17S1510110EU	C	15	5A	300V	Male	.77	.62	.60	.57
523-G17S1500110EU	G17S1500110EU	C	15	5A	300V	Female	.98	.86	.779	.738
523-G17S2510110EU	G17S2510110EU	C	25	5A	300V	Male	1.31	1.16	1.09	1.01
523-G17S2500110EU	G17S2500110EU	C	25	5A	300V	Female	1.08	.833	.805	.754
523-G17S5000110EU	G17S5000110EU	C	50*	5A	300V	Female	2.91	2.45	2.27	2.08

* 50 Position D-Subs have 3 Rows of Contacts



FIXED MACHINED CONTACTS

Materials:

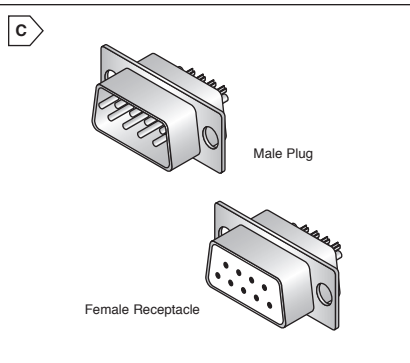
- Shells: Steel, tin plated
- Contact: Brass
- Contact Plating: Gold



For quantities greater than listed, call for quote.

MOUSER STOCK NO.	Amphenol Part No.	Fig.	No. of Positions	Current Rating	Voltage Rating	Type	Price Each			
							1	10	50	100
523-L717-DE09P	L717-DE09P	C	9	7.5A	300V	Male	4.25	3.86	3.53	3.26
523-L77-DE09S	L77-DE09S	C	9	7.5A	300V	Female	5.43	4.93	4.53	4.18
523-L717-DA15P	L717-DA15P	C	15	7.5A	300V	Male	4.98	4.64	4.24	3.90
523-L77-DA15S	L77-DA15S	C	15	7.5A	300V	Female	7.66	6.48	5.59	5.01
523-L717-DB25P	L717-DB25P	C	25	7.5A	300V	Male	7.92	7.25	6.00	5.70
523-L77-DB25S	L77-DB25S	C	25	7.5A	300V	Female	9.60	8.73	8.00	7.38
523-L717-DC37P	L717-DC37P	C	37	7.5A	300V	Male	10.98	10.66	9.92	9.01
523-L77-DC37S	L77-DC37S	C	37	7.5A	300V	Female	13.26	12.25	10.99	10.50
523-L717-DD50P	L717-DD50P	C	50*	7.5A	300V	Male	14.04	12.98	11.65	10.88
523-L77-DD50S	L77-DD50S	C	50*	7.5A	300V	Female	18.50	17.97	17.11	16.27

* 50 Position D-Subs have 3 Rows of Contacts

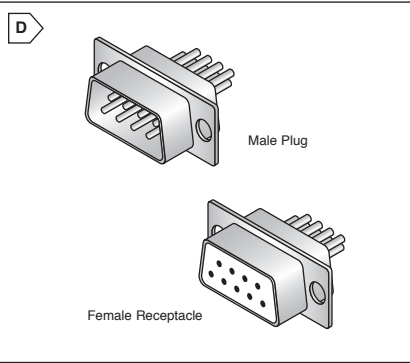


PCB Mount

For quantities greater than listed, call for quote.

MOUSER STOCK NO.	Amphenol Part No.	Fig.	No. of Positions	Current Rating	Voltage Rating	Type	Price Each			
							1	10	50	100
523-L717-DE09P-U	L717-DE09P-U	D	9	7.5A	300V	Male	4.11	3.87	3.48	3.15
523-L77-DE09S-U	L77-DE09S-U	D	9	7.5A	300V	Female	4.44	4.19	3.93	3.63
523-L717-DA15P-U	L717-DA15P-U	D	15	7.5A	300V	Male	4.65	4.39	3.98	3.73
523-L77-DA15S-U	L77-DA15S-U	D	15	7.5A	300V	Female	6.53	5.97	5.29	4.73
523-L717-DB25P-U	L717-DB25P-U	D	25	7.5A	300V	Male	6.56	6.17	5.32	4.77
523-L77-DB25S-U	L77-DB25S-U	D	25	7.5A	300V	Female	8.89	8.79	7.54	6.70
523-L717-DC37P-U	L717-DC37P-U	D	37	7.5A	300V	Male	10.62	9.66	8.46	7.53
523-L77-DC37S-U	L77-DC37S-U	D	37	7.5A	300V	Female	11.51	10.86	10.23	9.55
523-L717-DD50P-U	L717-DD50P-U	D	50*	7.5A	300V	Male	12.34	11.63	11.31	10.99
523-L77-DD50S-U	L77-DD50S-U	D	50*	7.5A	300V	Female	15.42	14.55	14.21	13.75

* 50 Position D-Subs have 3 Rows of Contacts



Wire Wrap Termination

For quantities greater than listed, call for quote.

MOUSER STOCK NO.	Amphenol Part No.	Fig.	No. of Positions	Current Rating	Voltage Rating	Type	Price Each			
							1	10	50	100
523-L717-DE09P-F179	L717-DE09P-F179	E	9	7.5A	300V	Male	4.98	4.70	4.59	4.44
523-L77-DE09S-F179	L77-DE09S-F179	E	9	7.5A	300V	Female	5.79	5.46	5.30	5.09
523-L717-DA15P-F179	L717-DA15P-F179	E	15	7.5A	300V	Male	6.87	6.48	6.31	6.13
523-L77-DA15S-F179	L77-DA15S-F179	E	15	7.5A	300V	Female	7.74	7.30	7.12	6.90
523-L717-DB25P-F179	L717-DB25P-F179	E	25	7.5A	300V	Male	15.65	13.84	12.39	11.22
523-L77-DB25S-F179	L77-DB25S-F179	E	25	7.5A	300V	Female	11.93	11.25	10.99	10.63
523-L77DE09SF179A	L77DE09SF179A	E	9	7.5A	300V	Female	8.06	6.82	5.89	5.27

