

3M™ IDC D-Subminiature Connectors



This product is RoHS compliant.

D-SUB CONNECTORS

Available in preassembled or two piece covers. Improved metal strain relief hooks directly to metal shell - Ordered Separately.

Features:

- Low profile
- Insulation Material: Glass Filled Polyester (PBT)
- Flammability: UL94V-0
- Insulation Color: Gray
- Contact Material: Copper alloy
- Contact Plating: 30µ" Gold
- Shell Material: Steel
- Shell Plating: Tin
- Wire Accommodation: 26 and 28AWG solid or stranded
- Current Rating: 1A
- Withstanding Voltage: 1000Vrms @ Sea level
- Temperature Rating: -15°C to +105°C
- RoHS Compliant per 3M documentation



Plugs - 8200 Series

For quantities greater than listed, call for quote.

MOUSER STOCK NO.	3M Part No.	Fig.	No. of Contacts	Mounting Style	Price Each			
					1	25	50	100
Open Two-Piece Cover								
517-8209-6000	8209-6000	A	9	Unthreaded Insert	5.50	4.63	4.27	4.14
517-8215-6000	8215-6000	A	15	Unthreaded Insert	6.23	5.09	4.84	4.69
517-8225-6000	8225-6000	A	25	Unthreaded Insert	7.06	5.95	5.49	5.32
517-8237-6000	8237-6000	A	37	Unthreaded Insert	9.15	7.70	7.11	6.89
517-8209-6003	8209-6003	A	9	4-40 UNC Threaded Insert	5.69	4.79	4.42	4.28
517-8215-6003	8215-6003	A	15	4-40 UNC Threaded Insert	7.46	6.28	5.79	5.62
517-8225-6003	8225-6003	A	25	4-40 UNC Threaded Insert	8.04	6.77	6.25	6.06
517-8237-6003	8237-6003	A	37	4-40 UNC Threaded Insert	10.00	8.42	7.77	7.53
Open Preassembled Cover Without Adhesive								
517-8209-8000	8209-8000	B	9	Unthreaded Insert	4.30	4.18	3.79	3.67
517-8215-8000	8215-8000	B	15	Unthreaded Insert	6.50	6.03	5.74	5.17
517-8225-8000	8225-8000	B	25	Unthreaded Insert	6.25	5.79	5.49	5.06
517-8237-8000	8237-8000	B	37	Unthreaded Insert	9.56	8.03	7.41	7.25

Sockets - 8300 Series

For quantities greater than listed, call for quote.

MOUSER STOCK NO.	3M Part No.	Fig.	No. of Contacts	Description	Price Each			
					1	25	50	100
Open Two-Piece Cover								
517-8309-6000	8309-6000	C	9	Unthreaded Insert	4.69	3.95	3.64	3.53
517-8315-6000	8315-6000	C	15	Unthreaded Insert	5.35	4.51	4.16	4.03
517-8325-6000	8325-6000	C	25	Unthreaded Insert	5.86	5.64	5.58	5.41
517-8337-6000	8337-6000	C	37	Unthreaded Insert	9.27	7.81	7.20	6.98
517-8309-6003	8309-6003	C	9	4-40 UNC Threaded Insert	5.21	4.56	4.22	3.95
517-8315-6003	8315-6003	C	15	4-40 UNC Threaded Insert	7.71	6.49	5.99	5.80
517-8325-6003	8325-6003	C	25	4-40 UNC Threaded Insert	8.17	6.88	6.35	6.15
517-8337-6003	8337-6003	C	37	4-40 UNC Threaded Insert	8.40	8.29	8.16	7.92
Open Preassembled Cover Without Adhesive								
517-8309-8000	8309-8000	D	9	Unthreaded Insert	4.63	4.30	4.06	3.58
517-8315-8000	8315-8000	D	15	Unthreaded Insert	6.73	6.20	5.94	4.88
517-8325-8000	8325-8000	D	25	Unthreaded Insert	7.52	6.32	5.83	5.71
517-8337-8000	8337-8000	D	37	Unthreaded Insert	6.62	6.20	5.81	5.49

STRAIN RELIEFS

• RoHS compliant per 3M documentation

For quantities greater than listed, call for quote.

MOUSER STOCK NO.	3M Part No.	Description	Price Each			
			1	25	50	100
517-3448-8D09A	3448-8D09A	9 Pin Strain Relief	.46	.39	.352	.341
517-3448-8D15A	3448-8D15A	15 Pin Strain Relief	.96	.80	.748	.726
517-3448-8D25A	3448-8D25A	25 Pin Strain Relief	.58	.49	.489	.446
517-3448-8D37A	3448-8D37A	37 Pin Strain Relief	.54	.46	.446	.413

TOOLS

For quantities greater than listed, call for quote.

MOUSER STOCK NO.	3M Part No.	Description	Price Each	
			1	5
517-3640	3640	Press	559.40	483.36
517-3442-9	3442-9	Platen for 9, 15, 25, 37 Pin Socket Connectors	90.30	86.00

METAL D-SUB CONNECTOR EMI HOODS

Designed to fit the 3M 8200 and 8300 series D-Sub connectors listed above.

Features:

- Provides EMI/ESD protection
- Provides option in grounding for discrete wire applications
- Light weight, compact design
- Color: Black
- Flammability: UL94V-0
- Material: Steel
- Plating: Nickel
- Cover Nut Material: Glass Filled Polyester (PBT)
- RoHS Compliant per 3M documentation

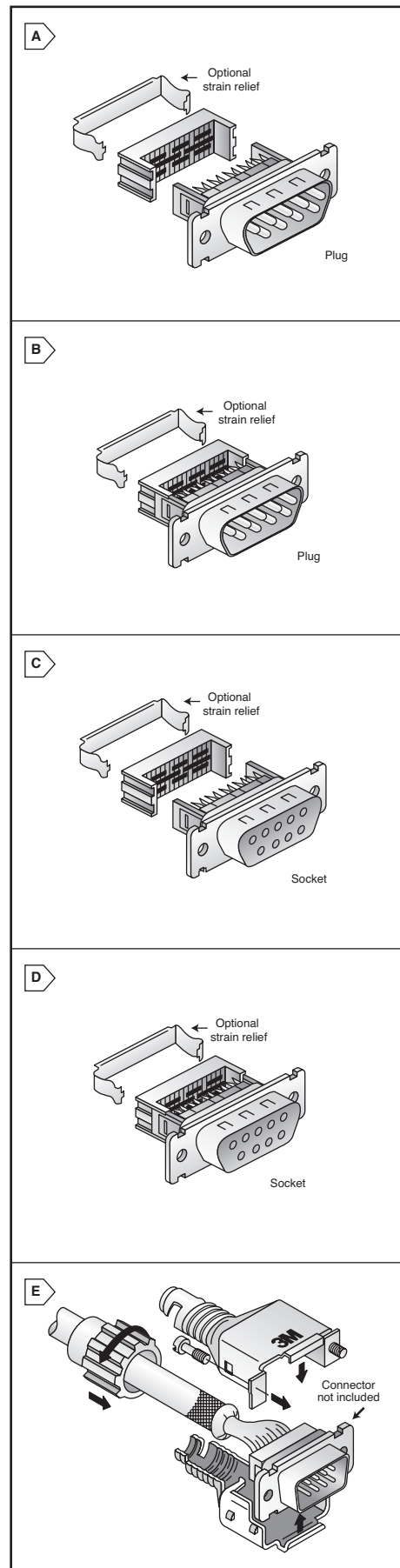
For quantities greater than listed, call for quote.

MOUSER STOCK NO.	3M Part No.	Fig.	Description	Price Each			
				1	25	50	100
517-3357-9209	3357-9209	E	Use with 9 pin d-sub	4.57	3.85	3.51	3.28
517-3357-9215	3357-9215	E	Use with 15 pin d-sub	4.71	4.03	3.71	3.44
517-3357-9225	3357-9225	E	Use with 25 pin d-sub	6.11	5.30	4.77	4.44
517-3357-9237	3357-9237	E	Use with 37 pin d-sub	11.45	10.83	10.27	9.59

ACCESSORIES

For quantities greater than listed, call for quote.

MOUSER STOCK NO.	3M Part No.	Description	Price Each			
			1	25	50	100
517-3341-7	3341-7-KIT	Thumb Screw Kit	4.12	3.76	3.57	3.37
517-3808-ER	3808-ER	Retainer Ring	.50	.456	.432	.408



"D" Connectors

3M