

# 3M™ D Sub and D Ribbon Connectors and Accessories



## 8000 SERIES SOLDER CUP D SUB WIREMOUNT CONNECTORS

### Applications:

- Communication
- Industrial and Instrumentation
- Data
- Military



For quantities greater than listed, call for quote.

MOUSER STOCK NO.	3M Part No.	Fig.	No. of Contacts	Plating	Price Each			
					1	10	50	100
<b>Plugs</b>								
517-8P09-N001	8P09-N001	A	9	30μ Gold	1.66	1.61	1.53	1.49
517-8P15-N001	8P15-N001	A	15	30μ Gold	1.75	1.70	1.62	1.57
517-8P25-N001	8P25-N001	A	25	30μ Gold	1.84	1.78	1.70	1.64
517-8P37-N001	8P37-N001	A	37	30μ Gold	2.63	2.55	2.43	2.35
<b>Sockets</b>								
517-8R09-N001	8R09-N001	B	9	30μ Gold	.89	.867	.823	.805
517-8R15-N001	8R15-N001	B	15	30μ Gold	1.12	1.08	1.03	1.00
517-8R25-N001	8R25-N001	B	25	30μ Gold	1.24	1.20	1.15	1.11
517-8R37-N001	8R37-N001	B	37	30μ Gold	1.93	1.87	1.78	1.72

## 3000 SERIES D RIBBON WIREMOUNT CONNECTORS

### Features:

- Accepts .050" round, flat or jacketed cable
- Insulation material: Glass Filled Polyester (PBT)
- Flammability: UL 94V-0
- Color: Gray
- Contact material: Copper alloy
- Current rating: 1A
- Temperature rating: -55°C to +105°C
- Plating: 30μ" Gold
- Wire Accommodation: 26 and 28 AWG solid or stranded
- Metal faced plug provides complete EMI shielded system when mated to a metal faced female connector



### Plugs

For quantities greater than listed, call for quote.

MOUSER STOCK NO.	3M Part No.	Fig.	No. of Contacts	Mounting Style	Price Each			
					1	25	50	100
<b>Plastic - Low Profile</b>								
517-3548-1000	3548-1000	C	24	.158" Dia Thru Hole	14.80	14.08	13.70	13.30
517-3366-1001	3366-1001	C	36	Bailmount	18.30	17.42	16.90	16.40
517-3564-1000	3564-1000	C	50	.158" Dia Thru Hole	15.89	15.16	14.44	13.79
517-3564-1001	3564-1001	C	50	Bailmount	10.35	9.68	9.57	9.27
<b>Metal Faced</b>								
517-3564-2000	3564-2000	C	50	.158" Dia Thru Hole	38.12	35.96	34.03	32.31

### Sockets

For quantities greater than listed, call for quote.

<b>Plastic - Low Profile</b>								
MOUSER STOCK NO.	3M Part No.	Fig.	No. of Contacts	Mounting Style	Price Each			
					1	25	50	100
517-3549-1001	3549-1001	D	24	Bailmount	10.73	9.01	8.31	8.13
517-3549-1002	3549-1002	D	24	#4-40 UNC Insert	15.45	14.98	14.75	14.29
517-3367-1000	3367-1000	D	36	.158" Dia Thru Hole	21.56	18.16	16.76	16.24
517-3565-1000	3565-1000	D	50	.158" Dia Thru Hole	16.54	15.93	15.30	14.83
517-3565-1001	3565-1001	D	50	Bailmount	17.21	14.61	13.68	13.02
<b>Metal Faced</b>								
517-3565-2002	3565-2002	D	50	Bailmount	23.34	22.02	20.85	19.45

### Accessories

For quantities greater than listed, call for quote.

MOUSER STOCK NO.	3M Part No.	Description	Price Each			
			1	25	50	100
<b>Strain Reliefs</b>						
517-3448-61	3448-61	24 Pin Strain Relief	4.37	3.63	3.56	3.32
517-3448-62	3448-62	36 Pin Strain Relief	3.92	3.30	3.03	2.93
517-3448-63	3448-63	50 Pin Strain Relief	6.10	5.42	4.88	4.44
<b>Tools</b>						
517-3640	3640	Press Platen	559.40		483.36	
517-3442-9	3442-9		90.30		86.00	

## MINI D RIBBON (MDR) CONNECTORS

- Wiper-on-wiper contact for reliable repetitive plugging
- Interface latch design for connection stability
- Withstanding voltage: 500 Vrms for 1 minute
- Insulation material: Beige glass reinforced polyester (PCT), UL94V-0
- Current rating: 1A
- RoHS Compliant per 3M documentation

### .050" Boardmount Thru-Hole Right Angle Shielded Receptacles

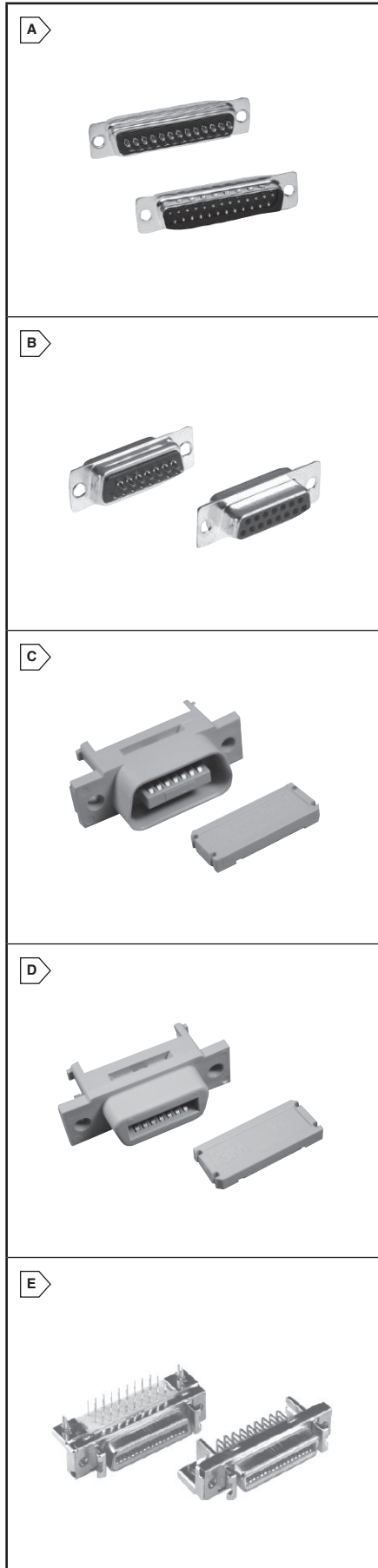
- Rugged die cast metal case construction (N102XX-52XXXX only)
- IEEE 1284C Interface as a 36 contact connector
- Contact material: Copper alloy (C521)
- Plating: 30μ" Gold
- Temperature rating: -55°C to +105°C



\* MDR Digital LCD interface as a 20 or 26 contact connector

For quantities greater than listed, call for quote.

MOUSER STOCK NO.	3M Part No.	Fig.	No. of Contacts	Price Each			
				1	25	50	100
<b>M2.5 Panel/Ground Lock</b>							
517-N10214-52B2PC	N10214-52B2PC	E	14	6.76	6.18	5.65	4.87
517-N10220-52B2PC	N10220-52B2PC	E	20	6.96	5.85	5.40	5.28
517-N10226-52B2PC	N10226-52B2PC	E	26	7.17	6.03	5.56	5.44
517-N10236-52B2PC	N10236-52B2PC	E	36	7.34	6.97	6.25	5.50
<b>4-40 Panel/Ground Lock</b>							
517-N10250-52E2PC	N10250-52E2PC	E	50	8.74	7.98	7.56	6.30
517-N10268-52E2PC	N10268-52E2PC	E	68	11.15	10.18	8.68	8.41
517-N10280-52E2PC	N10280-52E2PC	E	80	12.00	10.96	9.75	8.65
517-N102A0-52E2PC	N102A0-52E2PC	E	100	12.15	11.78	10.51	9.73
<b>M2.5 Panel/M2.5 Screw Lock</b>							
517-N10214-5212PC	N10214-5212PC	E	14	6.55	5.50	5.08	4.97
517-N10220-5212PC	N10220-5212PC	E	20	5.68	5.36	5.21	4.93
517-N10226-5212PC	N10226-5212PC	E	26	6.27	5.87	5.41	5.29
517-N10236-5212PC	N10236-5212PC	E	36	6.67	5.61	5.25	5.21
517-N10240-5212PC	N10240-5212PC	E	40	7.68	7.01	6.64	5.53
<b>M2.5 Panel Mount Thread</b>							
* 517-10214-55G3PC	10214-55G3PC	E	14	3.43	3.42	3.27	3.17
* 517-10220-55G3PC	10220-55G3PC	E	20	3.44	3.31	3.23	3.10
* 517-10226-55G3PC	10226-55G3PC	E	26	3.60	3.25	3.22	3.12
* 517-10236-55G3PC	10236-55G3PC	E	36	3.73	3.63	3.49	3.36
<b>4-40 Panel Mount Thread</b>							
517-10226-55H3PC	10226-55H3PC	E	26	4.37	3.99	3.50	3.15
517-10268-55H3PC	10268-55H3PC	E	68	6.76	5.68	5.26	5.13



"D" Connectors 3M