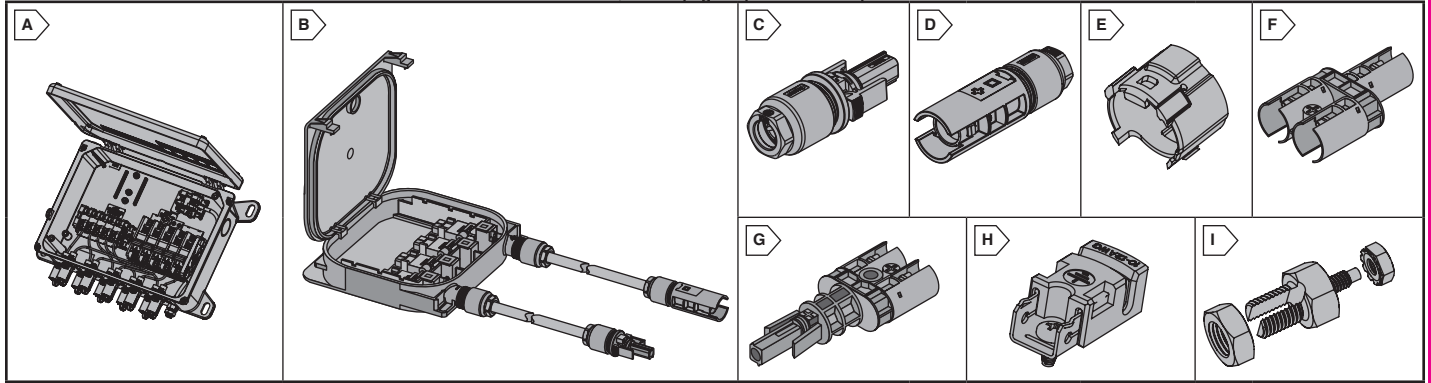


TE SOLARLOK Connector System

RoHS Compliant This page of product is compliant.



TE is contributing to the establishment of this environmentally friendly technology with the introduction of its SOLARLOK Connector System. The SOLARLOK Connector System delivers a flexible solution for easy and reliable interconnections from photovoltaic modules to the DC/AC converter. The entire system concept is based on cost-effective and reliable processing of individual connector system components. This significantly reduces installation costs of the solar energy system.

Features:

- Simple on-site processing
- Mating safety provided by keyed housing
- Semi-automatic assembly capability possible
- First-mate/last-break contacts support hot plugging
- Multiple plugging and unplugging cycles
- Accommodates solar cable with different insulation diameters
- High current carrying capacity
- Wide temperature operating range
- Polarized, keyed housings
- TÜV and UL approved
- Locking collar meets NEC 2008 Code

COMBINER BOX

For quantities greater than listed, call for quote.

MOUSER STOCK NO.	TE Part No.	Fig.	Description	Price Each		
				1	5	10
571-1954283-1	1954283-1	A	Residential Combiner Box	192.49	174.83	167.34

JUNCTION BOX

For quantities greater than listed, call for quote.

MOUSER STOCK NO.	TE Part No.	Fig.	Description	Price Each		
				1	10	25
571-1740699-6	1740699-6	B	Solarlok 4 Pos Junction Box	49.25	45.73	42.68

CABLE COUPLERS

For quantities greater than listed, call for quote.

MOUSER STOCK NO.	TE Part No.	Fig.	Cable Outer Dia. (mm)	MOUSER STOCK NO.	TE Part No.	Cable Outer Dia. (mm)	Wire Size		Keying	Price Each			
							mm ²	AWG		1	10	25	
Female Cable Couplers													
571-1394462-3	1394462-3	C	5.5 - 8.0	571-4-1394462-8	4-1394462-8	4.5 - 6.0	4.0	12	Plus	3.80	3.67	3.50	
571-1394462-4	1394462-4	C	5.5 - 8.0	571-4-1394462-9	4-1394462-9	4.5 - 6.0	4.0	12	Minus	3.80	3.67	3.50	
571-5-1394462-5	5-1394462-5	C	5.5 - 8.0	571-6-1394462-3	6-1394462-3	4.5 - 6.0	6.0	10	Plus	3.80	3.67	3.50	
571-5-1394462-6	5-1394462-6	C	5.5 - 8.0	571-6-1394462-4	6-1394462-4	4.5 - 6.0	6.0	10	Minus	3.80	3.67	3.50	
Male Cable Couplers													
571-1394461-3	1394461-3	D	5.5 - 8.0	571-7-1394461-0	7-1394461-0	4.5 - 6.0	4.0	12	Plus	3.80	3.67	3.50	
571-1394461-4	1394461-4	D	5.5 - 8.0	571-7-1394461-1	7-1394461-1	4.5 - 6.0	4.0	12	Minus	3.80	3.67	3.50	
571-6-1394461-5	6-1394461-5	D	5.5 - 8.0	571-7-1394461-3	7-1394461-3	4.5 - 6.0	6.0	10	Plus	3.80	3.67	3.50	
571-6-1394461-6	6-1394461-6	D	5.5 - 8.0	571-7-1394461-4	7-1394461-4	4.5 - 6.0	4.0	10	Minus	3.80	3.67	3.50	
*571-6-1394461-2	6-1394461-2	D	5.5 - 8.0	*571-7-1394461-2	7-1394461-2	4.5 - 6.0	4.0	12	Neutral	3.80	3.67	3.50	
*571-6-1394461-4	6-1394461-4	D	5.5 - 8.0	*571-7-1394461-5	7-1394461-5	4.5 - 6.0	6.0	10	Neutral	3.80	3.67	3.50	
Locking Collar													
571-2106207-1	2106207-1	E	Description										
			Safety Locking Collar Accessory								.40	.38	.36

* For serial interconnection

T-BRANCH CONNECTORS

For quantities greater than listed, call for quote.

MOUSER STOCK NO.	TE Part No.	Fig.	Description	Price Each		
				1	10	25
571-1534611-1	1534611-1	F	Male-to-Male, Plus Keyed	9.99	9.29	8.58
571-1740277-1	1740277-1	G	Female-to-Male, Plus Keyed	12.56	11.64	10.17
571-1740277-2	1740277-2	G	Female-to-Male, Minus Keyed	12.57	11.65	10.18

GROUNDING SOLUTIONS

For quantities greater than listed, call for quote.

MOUSER STOCK NO.	TE Part No.	Fig.	Description	Price Each		
				1	10	25
571-1954381-1	1954381-1	H	Solklip™ for Solar Grounding	3.37	3.12	2.71
571-2058729-1	2058729-1	I	Solklamp™ Ground Bolt; 6-12 AWG Solid Wire	11.49	11.24	10.98

SOLAR CABLE, 1-POLE

For quantities greater than listed, call for quote.

MOUSER STOCK NO.	TE Part No	AWG	Outer Diameter (in.)	Spool Length (ft.)	Color	Price Per Foot
571-1986165-2	1986165-2	12	0.019	500	Black	.88
571-1986164-2	1986164-2	10	0.021	500	Black	1.18

Sold in spool length only

TOOLS

For quantities greater than listed, call for quote.

MOUSER STOCK NO.	TE Part No.	Description	Price Each
571-1-1579004-2	1-1579004-2	Hand Crimping Tool (4.0 + 6.0mm ²)	375.00
571-1102855-3	1102855-3	Extraction Tool	67.19
571-4-1579002-2	4-1579002-2	Insulation Stripper	241.29

FIELD SERVICE KIT

For quantities greater than listed, call for quote.

MOUSER STOCK NO.	TE Part No.	Description	Price Each
571-1534858-1	1534858-1	100 Cable Coupler (Housing, Plus and Minus coded), Crimp Contacts (4.0 and 6.0mm ²), Strain Relief, Seals, Hand Crimp Tool, Extraction Tool, Insulation Stripper	1190.75