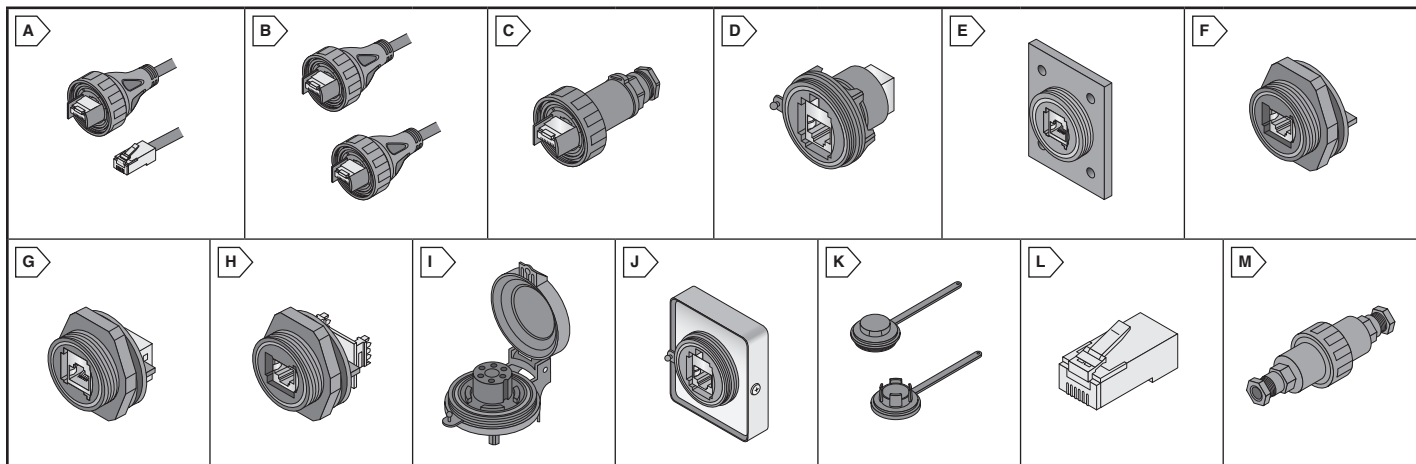


Ethernet Connectors



BULGIN ETHERNET BUCCANEER® ENVIRONMENTALLY SEALED CAT 5E CONNECTORS

- IP68 Rated
- Cat 5e compliant
- Dust and waterproof sealing when mated
- Shroud on RJ45 provides secure, proven locking system
- Data rate up to 100Mhz
- RoHS Compliant per Bulgin documentation



RoHS Compliant

Patch Cord Flex Connector

- Shielded RJ45 plug
- S-FTP cable construction
- Mates with PX0833, PX0839/PC, PX0839/IDC Patchcords with IP68 connector

For quantities greater than listed, call for quote.

MOUSER STOCK NO.	Bulgin Part No.	Fig.	Description	Length	Price Each		
					1	25	50
PUR Jacket Cable							
172-PX0837/2M00	PX0837/2M00	A	Single Ended, IP68 RJ Buccaneer to Shielded RJ45	2 M	25.02	22.28	18.52
172-PX0837/3M00	PX0837/3M00	A	Single Ended, IP68 RJ Buccaneer to Shielded RJ45	3 M	29.03	25.84	21.49
172-PX0837/5M00	PX0837/5M00	A	Single Ended, IP68 RJ Buccaneer to Shielded RJ45	5 M	33.03	29.40	24.45
172-PX0838/2M00	PX0838/2M00	B	Double Ended, IP68 RJ Buccaneer to IP68 RJ Buccaneer	2 M	32.62	28.41	24.15
172-PX0838/3M00	PX0838/3M00	B	Double Ended, IP68 RJ Buccaneer to IP68 RJ Buccaneer	3 M	37.87	32.98	28.03
172-PX0838/5M00	PX0838/5M00	B	Double Ended, IP68 RJ Buccaneer to IP68 RJ Buccaneer	5 M	41.03	35.73	30.37
177-PX0834/A	PX0834/A	C	Re-wirable Flex connector for Cat 5e PEand PUR jacket cable	--	17.66	15.70	13.06
177-PX0834/B	PX0834/B	C	Re-wirable Flex connector for cable 3.5mm-8mm diameter	--	17.66	15.70	13.06

Ethernet Buccaneer® Connectors

- Standard patch cord can be plugged into rear
- Complete with panel sealing gasket
- Mates with PX0834, PX0836, PX0837, PX0838 flex connectors

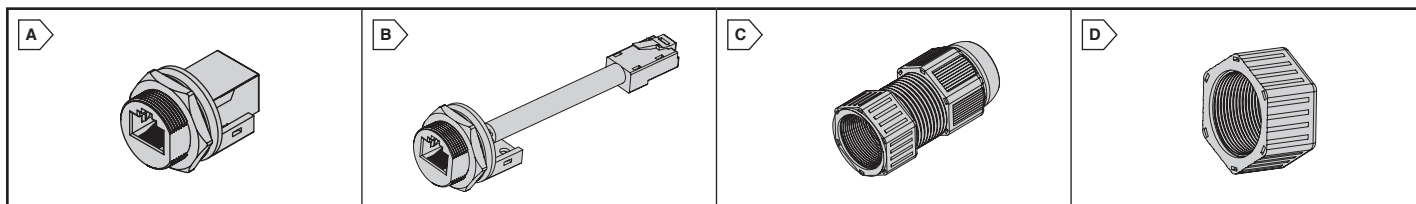
For quantities greater than listed, call for quote.

MOUSER STOCK NO.	Bulgin Part No.	Fig.	Description	Price Each		
				1	25	50
167-PX0833	PX0833	D	Panel mount shielded Cat 5e coupler - front panel mounted	34.99	31.14	25.89
167-PX0833/E	PX0833/E	D	Panel mount shielded Cat 5e coupler + earth wire - front panel mounted	36.52	29.67	28.34
167-PX0870	PX0870	E	Panel mount shielded Cat 5e coupler - flange mounting	36.79	32.74	27.22
167-PX0870/E	PX0870/E	E	Panel mount shielded Cat 5e coupler + earth wire - flange mounting	29.79	28.89	28.02
177-PX0839/PC	PX0839/PC	F	Panel mount Cat 5e shielded RJ45, PCB straight pins, rear panel mount	12.46	11.58	10.25
177-PX0839/90	PX0839/90	G	Panel mount Cat 5e shielded RJ45, PCB 90deg pins, rear panel mount	14.95	13.91	12.30
177-PX0839/IDC	PX0839/IDC	H	Panel mount Cat 5e shielded RJ45 interface, rear panel mount	26.97	24.52	22.86

Accessories

For quantities greater than listed, call for quote.

MOUSER STOCK NO.	Bulgin Part No.	Fig.	Description	Price Each		
				1	25	50
157-PX0713	PX0713	I	IP54 rated spring loaded sealing cap, for front panel mount connectors	5.19	4.72	3.93
157-PX0888	PX0888	J	Shielding backshell accessory, for use on PX0833	1.39	1.24	1.03
157-PX0835	PX0835	K	Sealing cap for PX0834, PX0840, PX0841, PX0846, PX0851 - maintain IP68 rating	1.96	1.75	1.46
157-PX0733	PX0733	K	Sealing cap for PX0833, PX0842, PX0843 - maintain IP68 rating	1.19	1.09	.976
157-14150	14150	L	Replacement shielded RJ45 plug	3.15	2.88	2.62
172-PX0777/UTP	PX0777/UTP	M	8 conductor Unshielded coupler with cable gland	14.00	11.20	9.83
172-PX0777/STP	PX0777/STP	M	8 conductor Shielded coupler with cable gland	14.47	12.92	12.29
172-PX0777/CAT5ESTP	PX0777/CAT5ESTP	M	8 conductor Shielded Cat5e coupler with cable gland	18.66	17.33	16.17



IP67 RJ45 CONNECTORS

KYCON



For quantities greater than listed, call for quote.

MOUSER STOCK NO.	Kycon Part No.	Fig.	Description	Price Each		
				1	25	100
806-GM67X-S-88	GM67X-S-88	A	Panel Mount IP67 Modular Jack with Shielded Jack	18.93	17.47	15.65
806-GM67X-CBL-152-P	GM67X-CBL-152-P	B	IP67 Panel Mount Jack with Cable and Plug, 152mm	19.29	17.81	15.95
806-GM67X-CBL-304-P	GM67X-CBL-304-P	B	IP67 Panel Mount Jack with Cable and Plug, 304mm	19.66	18.14	16.25
806-GM67X-CS-R	GM67X-CS-R	C	Cable Side IP67 Cable Mount Seal Dia. of 5.5mm - 7mm	10.92	10.08	9.03
806-GM67X-CS-B	GM67X-CS-B	C	Cable Side IP67 Cable Mount Seal Dia. of 7mm - 9.5mm	10.92	10.08	9.03
806-GM67X-CAP	GM67X-CAP	D	IP67 Modular Jack Cap	2.70	2.50	2.24