

BULGIN USB and Firewire Connectors



USB BUCCANEER® ENVIRONMENTALLY SEALED CONNECTORS

- IP68 Rated - Dust and waterproof sealing when mated
- USB version 2.0 performance - Low and high speed bus connection, 1.5Mbps to 480Mbps
- Plug and play capability - Hot pluggable, standard 4 pole interface
- Visual mating indication - Alignment indicator reduces risk of damage during mating
- Shielded system - High noise immunity and EMI protection
- Screw coupling - Secure, proven locking system
- RoHS Compliant per Bulgin documentation

Patch Cords

- Single and double ended cables - Suitable for PC and peripheral configuration
- IP68 'A' type USB connector to standard 'B' type USB connector, mates with PX0842/A
- IP68 'B' type USB connector to standard 'A' type USB connector, mates with PX0842/B
- IP68 'A' type USB connector to IP68 'B' type USB connector, mates with PX0842/A and PX0842/B
- Available in 2m, 3m and 5m lengths



RoHS Compliant

For quantities greater than listed, call for quote.

MOUSER STOCK NO.	Bulgin Part No.	Fig.	Description	Length	Price Each		
					1	25	50
172-PX0840/A/2M00	PX0840/A/2M00	A	Single Ended, IP68 A type to standard B type	2M	9.40	8.36	6.97
172-PX0840/A/3M00	PX0840/A/3M00	A	Single Ended, IP68 A type to standard B type	3M	12.20	10.86	9.03
172-PX0840/A/5M00	PX0840/A/5M00	A	Single Ended, IP68 A type to standard B type	5M	15.45	13.76	11.43
172-PX0840/B/2M00	PX0840/B/2M00	B	Single Ended, IP68 B type to standard A type	2M	9.40	8.36	6.97
172-PX0840/B/3M00	PX0840/B/3M00	B	Single Ended, IP68 B type to standard A type	3M	12.20	10.86	9.03
172-PX0840/B/5M00	PX0840/B/5M00	B	Single Ended, IP68 B type to standard A type	5M	15.45	13.76	11.43
172-PX0841/AB/2M00	PX0841/AB/2M00	C	Double Ended, IP68 A type to IP68 B type	2M	15.63	14.16	11.77
172-PX0841/AB/3M00	PX0841/AB/3M00	C	Double Ended, IP68 A type to IP68 B type	3M	17.81	15.85	13.18
172-PX0841/AB/5M00	PX0841/AB/5M00	C	Double Ended, IP68 A type to IP68 B type	5M	21.14	18.81	15.64

Panel Mount Connectors

- Opposite connector to rear of panel
- Mates with PX0840 and PX0841 cable connectors



RoHS Compliant

For quantities greater than listed, call for quote.

MOUSER STOCK NO.	Bulgin Part No.	Fig.	Description	Price Each		
				1	25	50
167-PX0842/A	PX0842/A	D	Sealed A type USB at front of panel, standard B type USB at rear	10.93	9.73	8.07
167-PX0842/B	PX0842/B	E	Sealed B type USB at front of panel, standard A type USB at rear	10.93	9.73	8.07
167-PX0843/A	PX0843/A	F	Sealed A type USB at front of panel, leaded with 5 way crimp conn	11.67	10.39	8.65
167-PX0843/B	PX0843/B	F	Sealed B type USB at front of panel, leaded with 5 way crimp conn	11.67	10.39	8.65
167-PX0848/A	PX0848/A	G	Sealed A type USB at rear of panel, standard B type at rear	10.86	9.66	8.04
167-PX0848/B	PX0848/B	G	Sealed B type USB at rear of panel, standard A type at rear	10.86	9.60	8.04
167-PX0849/A	PX0849/A	H	Sealed A type USB at front of panel, leaded with 5 way header	11.42	10.15	8.45
167-PX0849/B	PX0849/B	H	Sealed B type USB at front of panel, leaded with 5 way header	10.86	9.66	8.04
167-PX0845/A	PX0845/A	I	Sealed A type USB at front of panel, PCB contacts at rear	11.67	10.39	8.65
167-PX0845/B	PX0845/B	I	Sealed B type USB at front of panel, PCB contacts at rear	11.48	10.39	8.65

IP68 RATED USB FLASH DRIVE COVER

For quantities greater than listed, call for quote.

MOUSER STOCK NO.	Bulgin Part No.	Fig.	Description	Price Each		
				1	25	50
157-PX0852	PX0852	J	IP68 USB Flash Drive Cover Type A - PX0842/A, PX0843/A, PX0845/A, PX0849/A	3.09	2.76	2.48

PCB ADAPTER LEADS & HEADERS

For quantities greater than listed, call for quote.

MOUSER STOCK NO.	Bulgin Part No.	Fig.	Description	Length	Price Each		
					1	25	50
172-14193	14193	K	Standard A type to 5 way crimp connector	100mm	3.50	3.11	2.59
172-14194	14194	K	Standard B type to 5 way crimp connector	100mm	3.50	3.11	2.59
177-14191	14191	L	5 way PCB header - straight type; mates w/ 14193, 14194	--	.24	.20	.178
177-14192	14192	M	5 way PCB header - right angle type; mates w/ 14193, 14194	--	.27	.23	.219

ACCESSORIES

For quantities greater than listed, call for quote.

MOUSER STOCK NO.	Bulgin Part No.	Fig.	Description	Price Each		
				1	25	50
157-PX0835	PX0835	N	Sealing cap for PX0840, PX0841, PX0846, PX0851 - maintains IP68 rating	1.96	1.75	1.46
157-PX0733	PX0733	N	Sealing cap for PX0843 - maintains IP68 rating	1.19	1.09	.976
157-PX0711	PX0711	N	Sealing cap for PX0845 PX0848, PX0849 - maintains IP68 rating	2.09	1.86	1.63

FIREWIRE BUCCANEER® ENVIRONMENTALLY SEALED CONNECTORS

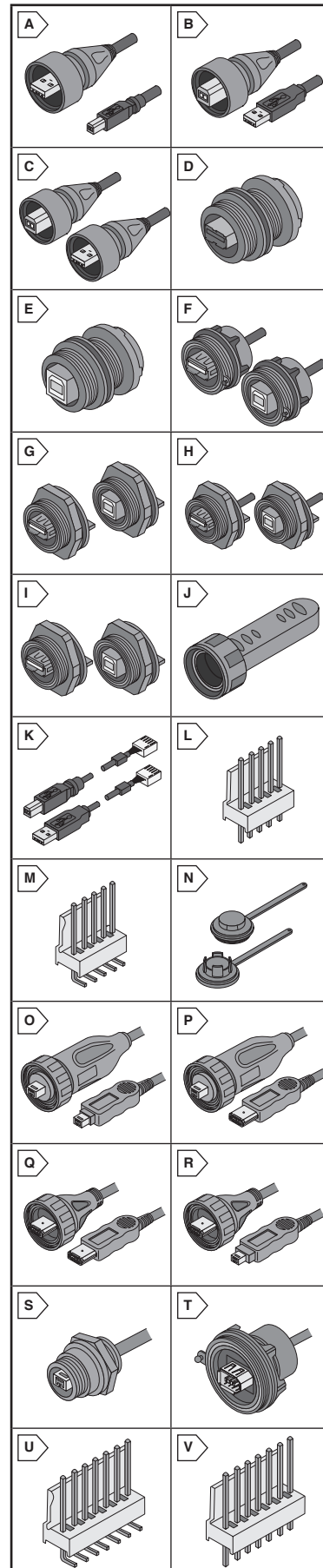
- IP68 Rated
- IEEE1394a performance to 400Mbps
- Dust and waterproof sealing when mated
- Secure, proven locking system
- High noise immunity and EMI protection
- Secure tamperproof connection
- RoHS Compliant per Bulgin documentation



RoHS Compliant

For quantities greater than listed, call for quote.

MOUSER STOCK NO.	Bulgin Part No.	Fig.	Description	Length	Price Each		
					1	25	50
Sealed FireWire Cable Assemblies							
157-PX0417/2M00	PX0417/2M00	O	IP68 4 pole to standard 4 pole FireWire	2 M	29.71	27.62	24.45
157-PX0417/4M00	PX0417/4M00	O	IP68 4 pole to standard 4 pole FireWire	4 M	40.45	37.62	33.28
157-PX0418/2M00	PX0418/2M00	P	IP68 4 pole to standard 6 pole FireWire	2 M	29.71	27.62	24.45
157-PX0418/4M00	PX0418/4M00	P	IP68 4 pole to standard 6 pole FireWire	4 M	40.45	37.62	33.28
157-PX0846/2M00	PX0846/2M00	Q	IP68 6 pole to standard 6 pole FireWire	2 M	34.70	32.27	28.56
157-PX0846/4M00	PX0846/4M00	Q	IP68 6 pole to standard 6 pole FireWire	4 M	47.79	44.45	39.33
157-PX0851/2M00	PX0851/2M00	R	IP68 6 pole to standard 4 pole FireWire	2 M	31.48	28.09	24.75
Panel Mount Connectors							
157-PX0419	PX0419	S	IP68 4 pole, panel mounted, with 5 way crimp at rear (mates with PX0417, PX0418)		15.17	14.09	12.47
157-PX0847	PX0847	T	IP68 6 pole, panel mounted, with 7 way crimp at rear (mates with PX0846, PX0851)		16.49	15.34	13.57
Accessories							
157-PX0485/BK	PX0485/BK	N	Sealing cap for 4 pole cable connectors - PX0417, PX0418		1.59	1.45	1.29
157-PX0480/BK	PX0480/BK	N	Sealing cap for 4 pole chassis connector - PX0419		1.59	1.45	1.29
157-PX0835	PX0835	N	Sealing cap for PX0834, PX0840, PX0841, PX0846, PX0851 - maintain IP68 rating		1.96	1.75	1.46
157-PX0733	PX0733	N	Sealing cap for PX0833, PX0842, PX0843, PX0847 - maintain IP68 rating		1.19	1.09	.976
Accessories							
177-14191	14191	L	5 way PCB header - straight type mates with PX0419		.24	.20	.178
177-14192	14192	M	5 way PCB header - right angle type mates with PX0419		.27	.23	.219
157-14358	14358	U	7 way PCB header - straight type mates with PX0847		.66	.60	.54
157-14359	14359	V	7 way PCB header - right angle type mates with PX0847		.71	.69	.593



Data/Network/Telecom
Bulgin